

F61KB Liquid Flow Switch

The F61 Liquid Flow Switches Are Single-Pole, Double-Throw (SPDT) flow switches that are used in liquid lines carrying water, ethylene glycol, or other liquids not classified as hazardous. They can be wired to energize one device and de-energize another device powered from the same source when liquid flow either exceeds or drops below the set flow rate.

Note: The F61 Flow Switch cannot be used where the liquid in the pipes will drop below the liquid's freezing point, causing an internal freeze-up.

IMPORTANT: F61 Flow Switches are designed for use only as operating controls. Where an operating control failure would result in personal injury and/or loss of property, it is the responsibility of the installer to add devices (safety, limit controls) or systems (alarm, supervisory systems) that protect against or warn of control failure.

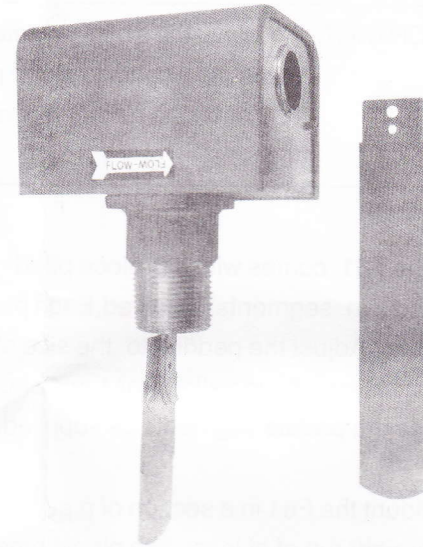


Figure 1: F61KB Flow Switch

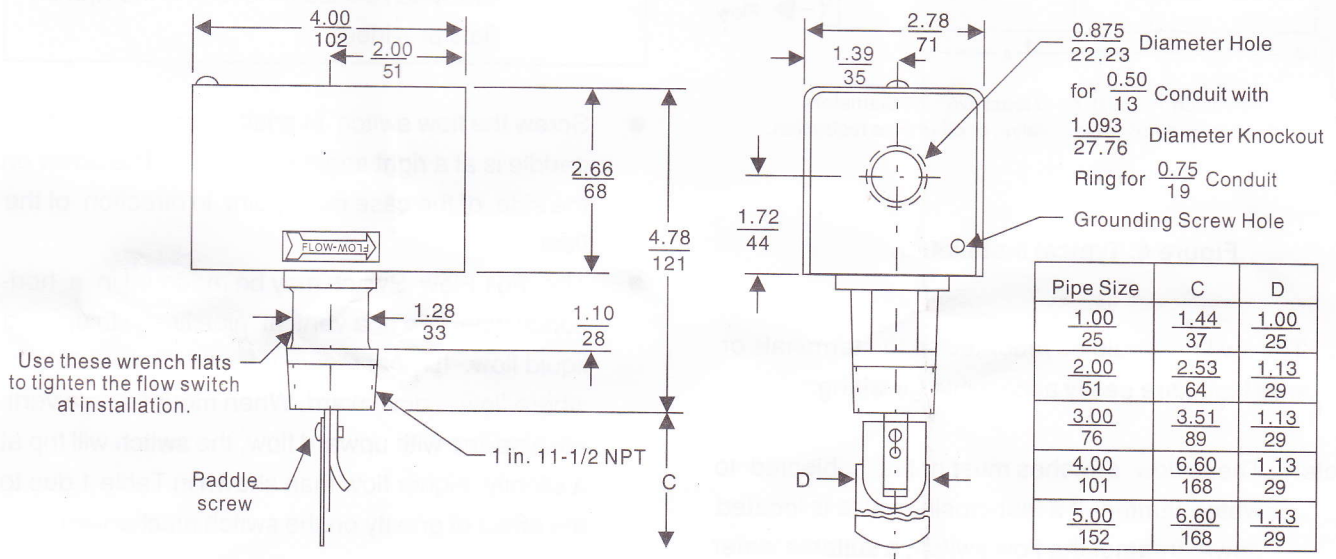


Figure 2: F61KB Dimensions (in./mm)