



METERING PUMP

SELECTION BROCHURE

MB



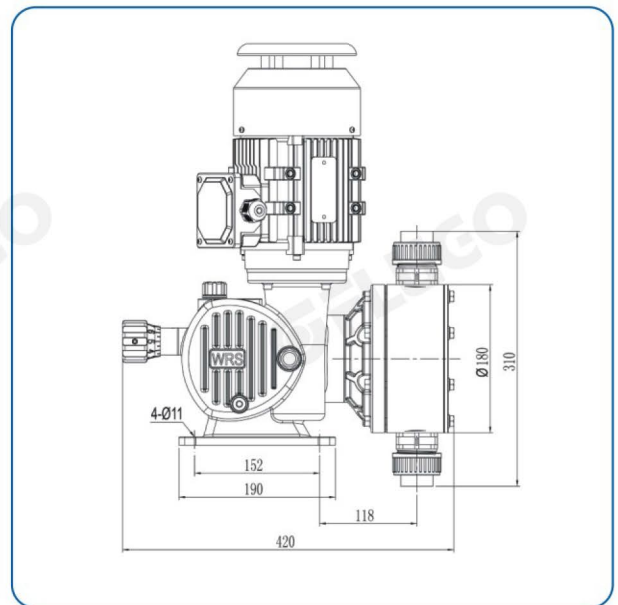
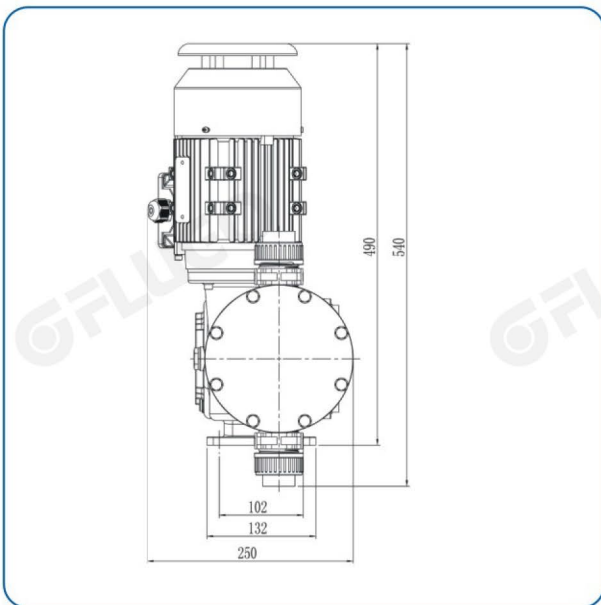
← MB-PVC Head

- pump: ■ single unit only
- Material: ■ aluminium
- Pump head material : ■ PVC 、 PTFE 、 304、 316
- Weight: ■ 10kg

CONSTRUCTION CHARCTERISTICS

- PVC 、 PTFE 、 304、 316 material pump head support ensures chemical compatibility with any dosed liquid.
- Leak-free diaphragm pump head.
- Smooth and linear adjustment.either stationary of running,by means of micrometer knob.
- $\pm 1\%$ accuracy within 10 to 100% of the nominal flow rate.

Installation size of stand





MB-PTFE Head



MB-304 Head

Pump heads

- Single valve ball only.
- Suction and discharge connections can be threaded or flanged.
- Max suction lift 2m.w.c. (See operating manual).
- Max.temperature of the metered liquid:80°C

Parameters

Model	L/H	Bar	Connecting size	KW	Voltage	Kg
MB-270/6	273	6	DN25	1.1	380V	24
MB-335/6	335					
MB-550/6	570					
MB-720/4	720	4				26
MB-850/4	860					
MB-1000/4	1100					

Material for over current parts of pumps

Material of pump head	Valve body	Valve seat	Valve ball	Diaphragm	Seal	Import and export connection
PVC	PVC	PVC	alumina	PTFE	Fluorin Rubber	PVC
PTFE	PTFE	PTFE	alumina	PTFE	Fluorin Rubber	PTFE
304	304	304	304	PTFE	PTFE	304
316	316	316	316	PTFE	PTFE	316





Authorized Distributor