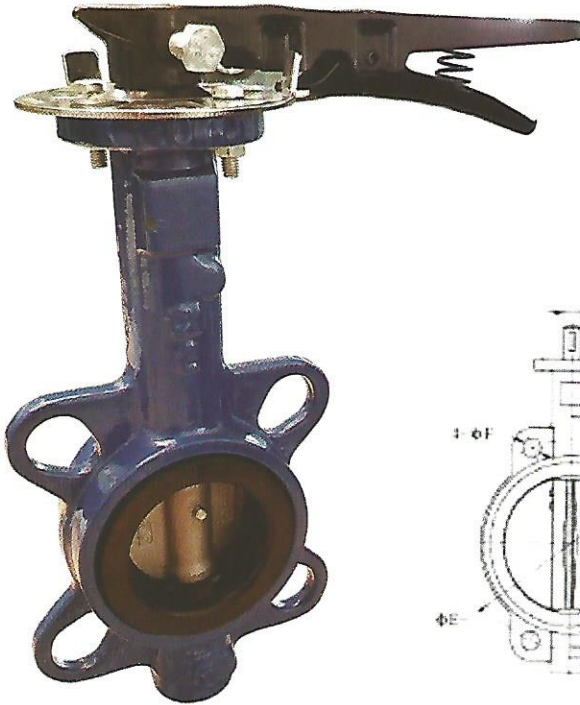
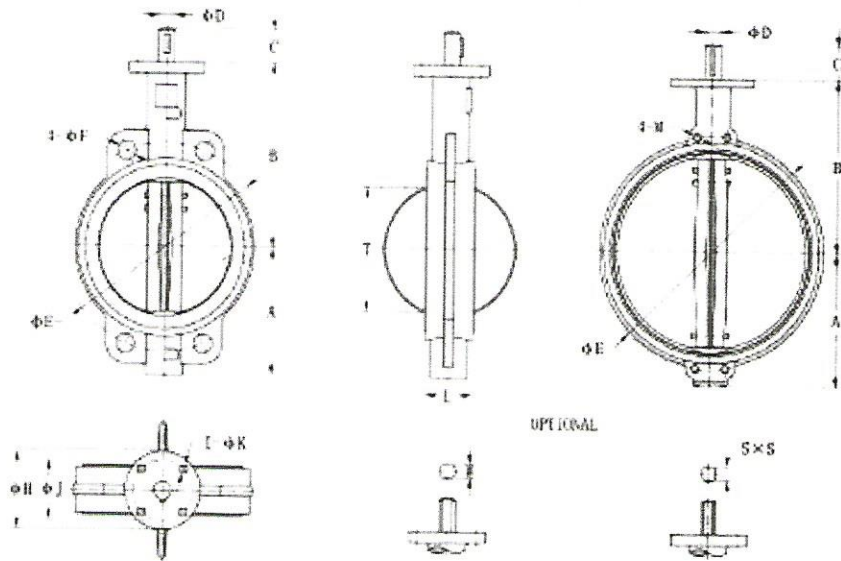


## BUTTERFLY VALVE CAST IRON



### MATERIALS

Parts	JIS materials
Body	Cast Iron
Stem	SS 410
Seat	EPDM
Disc	SS 304



### DIMENSION

Valve Size		A	B	C	D									H	J	I - K	L	T	S	W	Berat
mm	inch					ANSI 125/150	PN10	PN15	10K	ANSI 125/150	PN10	PN15	10K								
50	2	76	152	32	12.7	120.7	125	125	120	19	18	18	19	65	50	4-7	42	32	10	10	3,0 KG
65	2-1/2	89	174	32	12.7	139.7	145	145	140	19	18	18	19	65	50	4-7	45	47	10	10	3,6 KG
80	3	95	181	32	12.7	152.4	160	160	150	19	18	18	19	65	50	4-7	45	65	10	10	4,2 KG
100	4	114	200	32	15.9	190.5	160	160	175	19	18	18	19	90	70	4-9.5	52	90	14	12	5,8 KG
125	5	127	213	32	19.1	215.9	210	210	210	22	18	18	23	90	70	4-9.5	54	111	17	14	7,0 KG
150	6	139	225	32	19.1	241.3	240	240	240	22	22	22	23	90	70	4-9.5	56	145	17	14	9,0 KG
200	8	177	250	38	22.2	298.5	295	295	290	22	22	22	23	125	102	4-11.5	60	193	17	17	20,5 KG
250	10	200	292	38	28.5	362	350	350	355	25	22	26	25	125	102	4-11.5	66	241	22	22	26,5 KG
300	12	242	337	38	31.8	431.8	400	400	400	25	22	26	25	125	102	4-11.5	77	292	22	24	40,0 KG