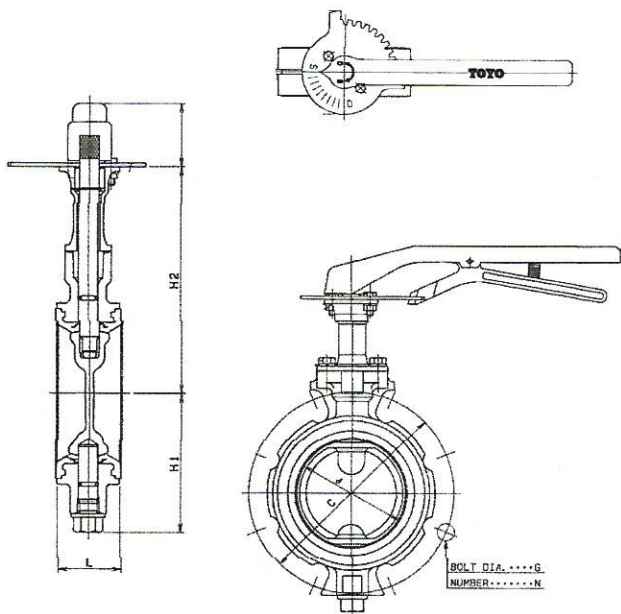


# 16K Lever Operator Cast Iron Butterfly Valve

Fig. 957A-MESL



DIMENSION

UNIT : mm

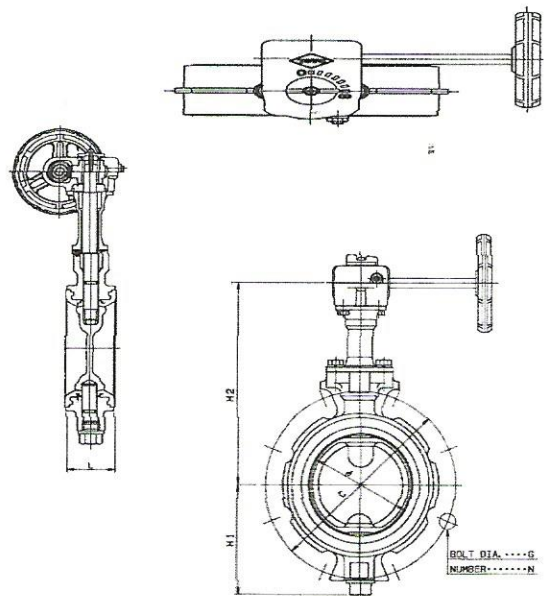
SIZE	L	Ø d	H1	H2	FLANGE PN-16		
					C	N	G
40	33	80	60	180	110	4	M16
50	43	96	65	204	125	4	M16
65	46	110	71	216	145	4	M16
80	46	124	77	223	160	8	M16
100	52	148	107	242	160	8	M16
125	56	180	122	258	210	8	M16
150	56	206	140	271	240	8	M20
200	60	259	165	308	295	12	M20
250	68	320	201	354	355	12	M24
300	78	370	234	377	410	12	M24

Material	Body	FC 200
	Disc	SCS 14
	Rubber Seat	EPDM
	O-Ring	NBR

Test pressure	Shell(Water)	2,4MPa
	Seat(Water)	1,8MPa

# 16K Gear Operator Cast Iron Butterfly Valve

Fig. 957A-MESG



DIMENSION

UNIT : mm

SIZE	L	Ø d	H1	H2	FALNGE PN-16		
					C	N	G
40	33	81	60	157	110	4	M16
50	43	96	65	180	125	4	M16
65	46	110	71	192	145	4	M16
80	46	124	77	199	160	8	M16
100	52	148	107	218	180	8	M16
125	56	180	122	234	210	8	M16
150	56	206	140	247	240	8	M20
200	60	259	165	281.5	295	12	M20
250	68	320	201	327.5	355	12	M24

Material	Body	FC 200
	Disc	SCS 14
	Rubber Seat	EPDM
	O-Ring	NBR

Test pressure	Shell(Water)	2,4MPa
---------------	--------------	--------