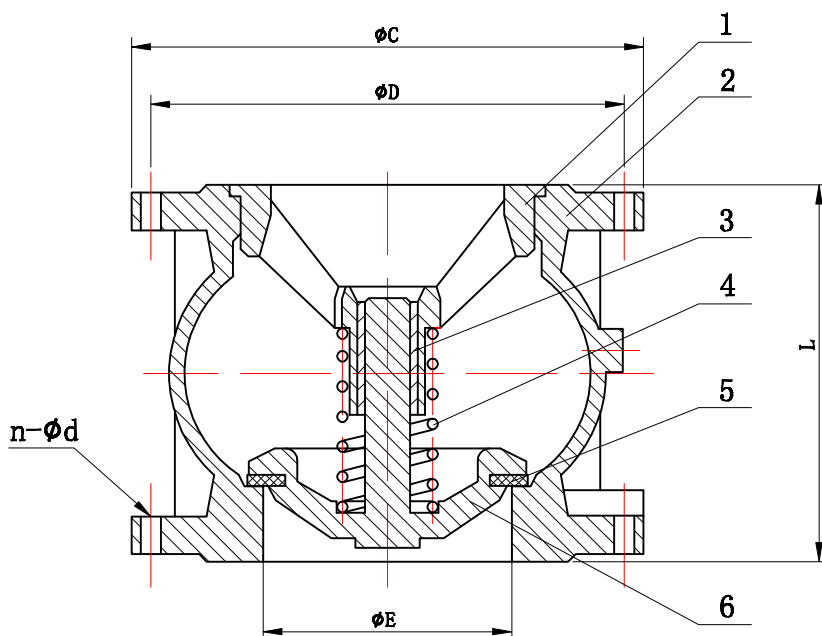


规格	L	φE	φC	φD	n-φd
2"	100	50	165	125	4-19
2.5"	120	65	185	145	4-19
3"	140	80	200	160	8-19
4"	170	105	220	180	8-19
5"	200	127	250	210	8-19
6"	230	145	285	240	8-23
8"	301	194	340	295	12-23
10"	370	245	405	355	12-26.5
12"	410	300	460	410	12-26.5

1. Valve design according to:  
EN 12334, ASME B16.1, ASME B16.42.
2. Flangs according to EN1092-2.
3. Face-to-Face: not standardlized,  
according to the request of client's.
4. Valve inspection and testing according to  
EN12516, EN12266.



6	Disc	GGG40	1	
5	Seal	NBR EPDM	1	
4	Spring	SS316	1	
3	Guiding stem	F4	2	
2	Body	GG25 GGG40	1	
1	Guide	GGG40	1	
No.	NAME	MATERIAL	QYY.	REMARK

- Property Specifications:**
1. Working pressure: 1.6Mpa
  2. Pressure closure test pressure:  
1.76Mpa
  3. Shell pressure test pressure:  
2.4Mpa
  4. WORKING TEMP: 0°C ~+80°C

FLANG MUFFLING CHECK VALVE					ZHF-FLXS-00-02	
ASSEMBLY DRAWING						
MARK	QTY.	PAPT No.	BY	DATE		
DEG						
CHK						
APP						