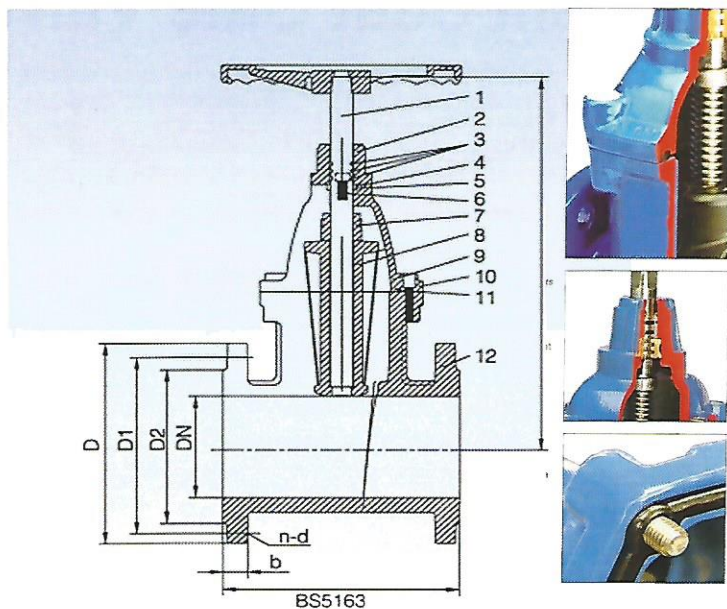


- Design standard:BS5163
- Flange:BS4504 PN10.PN16/EN 1092
- Face to face dimensions:BS5163
- Test standard:BS5163
- Work temperature:NBR<80°C
EPDM<120°C

- : BS5163 CJ/T216-2005
- : EN1092 GB/T17241.6-2008
- : BS5163 GB/T12221-2005
- : BS5163 JB/T9092-1999
- : ≤80°C
- : ≤120°C


Main components and their materials:

NUM	Name	Material
1	Stem	2Cr13
2	Gland	Ductile Iron
3	*O* Ring O	NBR
4	*O* Ring O	NBR
5	Splint Collar	Iron+Electroplate
6	Gland Nuts	SS304
7	Stem Nut	Brass
8	Wedge	Ductile Iron+EPDM
9	Bonnet	Ductile Iron
10	Nuts	Steel 8.8+Wax
11	Middle Gasket	NBR
12	Body	Ductile Iron
13	Hand wheel	Ductile Iron

Dimensions & Weight

DN	L (mm)	Flange dimensions to BS4504(mm)								WEIGHT (KG/PCS)			
		D		D1		D2		f	t	n-d			
		1.0 Mpa	1.6 Mpa	1.0 Mpa	1.6 Mpa	1.0 Mpa	1.6 Mpa			1.0 Mpa	1.6 Mpa	NRS	RS
50	178	160		125		99		3	17	4-18		9.5	11.5
65	190	180		145		118		3	17	4-18		12	14
80	203	195		160		132		3	18	8-18		16	18.5
100	229	215		180		156		3	19	8-18		19.5	23
125	254	245		210		184		3	20	8-18		27	31
150	267	280		240		211		3	21	8-22		36	44
200	292	335		295		266		3	20	8-22	12-22	58	65
250	330	390	400	350	355	319		3	22	12-22	12-26	95	101
300	356	440	455	400	410	370		4	24.5	12-22	12-26	128	136
350	381	500	510	460	470	429		4	26.5	16-22	16-26	175	185
400	406	560	575	515	525	480		4	28	16-26	16-30	230	245
450	432	615	640	565	585	530	548	4	30	20-26	20-30	330	350
500	457	670	715	620	650	582	609	4	31.5	20-26	20-33	390	425
600	508	780	840	725	770	682	720	5	36	20-30	20-36	580	610