

1

2

3

4

5

H

H

G

G

F

F

E

E

D

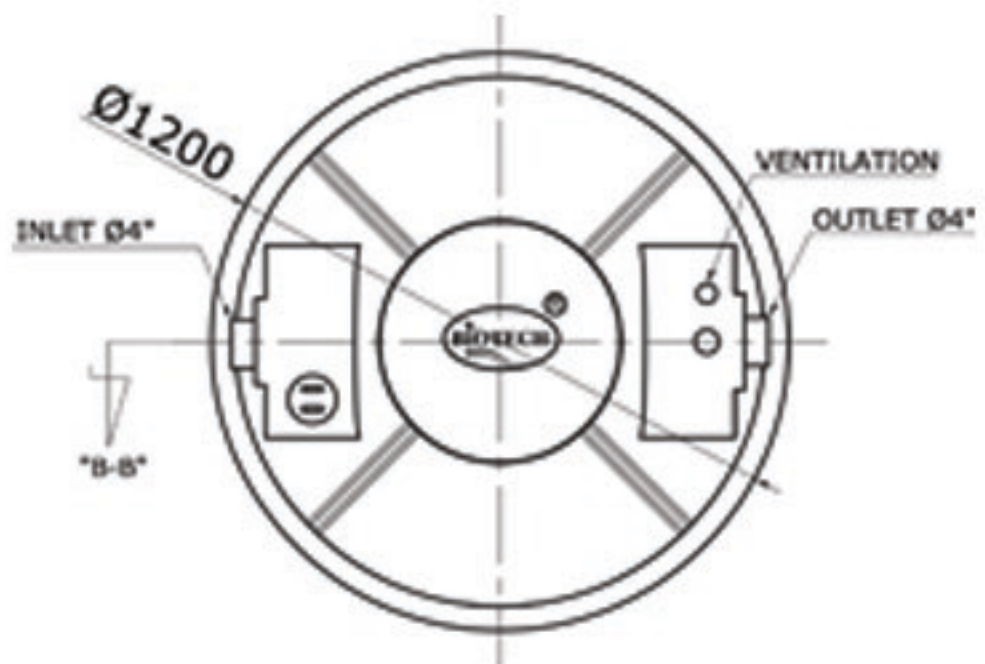
D

C

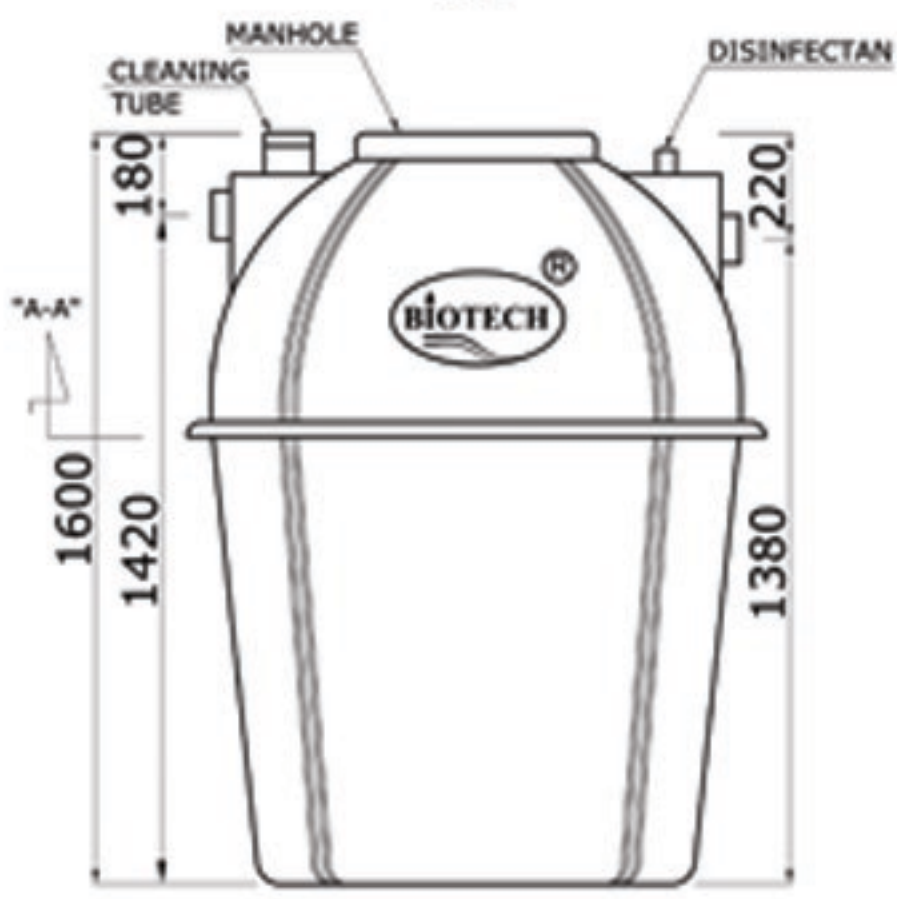
C

B

B



**TOP VIEW**  
NTS



**SIDE VIEW**  
NTS

<b>CLIENT / PROJECT :</b> 	<b>TITLE :</b> BIOTECH BT - 12	<b>VOLUME :</b> -	<b>STANDARD PRODUCT</b>
<i>WE SERVE AND ENSURE OUR CLIENT WITH THE BEST QUALITY PRODUCT</i>	<b>SCALE :</b> NTS	<b>PAGE :</b>	<b>ORIENTASI,ELEVASI DAN BANYAKNYA NOZZLE DISESUAIKAN PERMINTAAN OWNER</b>
	<b>DRAWN</b> S K	01	
	<b>DWG. NO. :</b> BT_08_9737		

1

2

3

4

5

A

A