

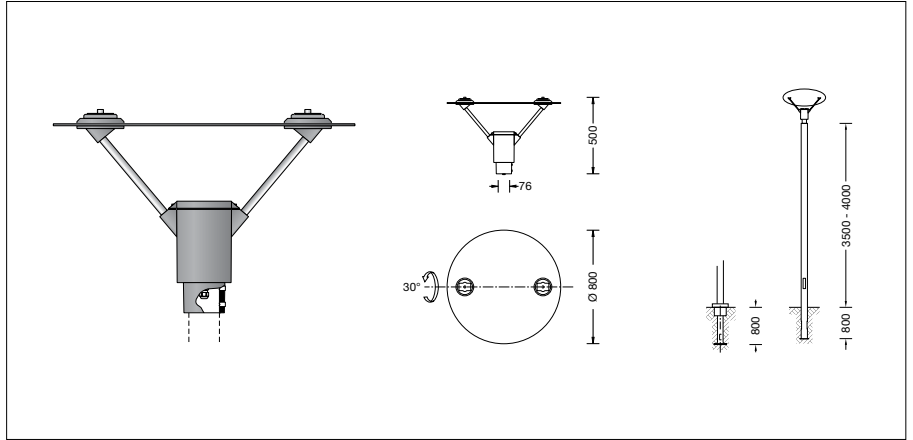
BEGA**77 208**

Pole top luminaire



Project · Reference number

Date



Product data sheet

Product description

Luminaire made of aluminium alloy,
aluminium and stainless steel
BEGA Unidure® coating technology
Matt safety glass
Silicone gasket
Reflector made of pure anodised aluminium
For pole top \varnothing 76 mm
Slip fitter insert depth 80 mm
Connecting cable X05BQ-F 5 G 1[□]
Cable length 6 m
Light distribution adjustable in 4 steps
without tools
BEGA Ultimate Driver®
LED power supply unit
220-240 V \sim 0/50-60 Hz
DC 176-264 V
DALI controllable
A basic isolation exists between power cable
and control line
BEGA Thermal Control®
Temporary thermal regulation to protect
temperature-sensitive components without
switching off the luminaire
Safety class I
Protection class IP 65
Dust-tight and protection against water jets
Impact strength IK09
Protection against mechanical
impacts < 10 joule
 – Safety mark
CE – Conformity mark
Horizontal wind catching area: 0.28 m²
Weight: 15.0 kg

Application

Pole top luminaire with adjustable light
distribution.
The light is directed towards the top reflector
and indirectly distributed.
Rotationally symmetrical light distribution when
the top reflector is adjusted in a horizontal
position, asymmetrical when the top reflector is
swivelled.
For mounting heights 3500 - 4000 mm.

Lamp

Module connected wattage 35.7 W
Luminaire connected wattage 39.7 W
Rated temperature $t_a = 25\text{ }^\circ\text{C}$
Ambient temperature $t_{a\text{ max}} = 50\text{ }^\circ\text{C}$

77 208 K4

Module designation LED-0785/840
Colour temperature 4000 K
Colour rendering index CRI > 80
Module luminous flux 6165 lm
Luminaire luminous flux 3212 lm
Luminaire luminous efficiency 80,9 lm/W

77 208 K3

Module designation LED-0785/830
Colour temperature 3000 K
Colour rendering index CRI > 80
Module luminous flux 6010 lm
Luminaire luminous flux 3131 lm
Luminaire luminous efficiency 78,9 lm/W

Service life · Ambient temperature

Rated temperature $t_a = 25\text{ }^\circ\text{C}$
LED psu: > 50,000h
LED module: 190,000h (L80B50)

Ambient temperature max. $t_a = 50\text{ }^\circ\text{C}$ (100 %)

LED psu: 50,000h
LED module: 120,000h (L80B50)

Inrush current

Inrush current: 5 A / 100 μs
Maximum number of luminaires of this
type per miniature circuit breaker:
B 10A: 35 luminaires
B 16A: 56 luminaires
C 10A: 35 luminaires
C 16A: 56 luminaires

Light technique

Luminaire data for the light planning program
DIALux for outdoor lighting, street lighting and
indoor lighting as well as luminaire data in
EULUMDAT- and IES-format you will find on the
BEGA web page www.bega.com.

Article No. 77 208

LED colour temperature optionally 4000 K
or 3000 K
4000 K – Article number + **K4**
3000 K – Article number + **K3**

Accessories

For this luminaire we recommend the following
BEGA luminaire poles:

Cylindrical aluminium poles · lacquered
with access door and C-clamp

70 739 Pole with anch.section H 3500 mm
70 738 Pole with anch.section H 4000 mm
70 729 Pole with baseplate H 3500 mm
70 728 Pole with baseplate H 4000 mm

For suitable connection boxes please see the
instructions for use of the luminaire poles.

Light distribution