

Runway and Taxiway Inset Lights

PRO III™ RCLI/TDZI 8"

Runway Centerline Light, Touchdown Zone Light
or Rapid Exit Taxiway Indicator Light – ICAO

Compliances:

ICAO Annex 14: Fig. A2-5,
A2-6 and A2-7



Applications

The RCLI/TDZI/REXI light does triple duty as a runway centerline light, a touchdown zone light, or as a rapid exit taxiway light. The RCLI is a bidirectional light, typically clear/clear or clear/red, with two 48 W lamps. The TDZI is a clear unidirectional light, with a 48 W lamp. RCLI /TDZI may be used for any category ICAO, or military runway. The REXI is a yellow unidirectional light primarily used as ground traffic aid on taxiways to alleviate traffic.

Features

- ETL Tested and Verified (photo and color)
- Low Profile, < .25" (6mm) – FAA Style 3
- Low Power Consumption
- Few Parts to Stock
- Beam Orientation can be easily changed to left or right toe-in
- Easy to maintain – no sealant required for prism or feed-through assembly replacement
- Pressure test plug for seal integrity verification
- Long Lamp Life – Quartz Halogen, 48 W
- High-strength forged aluminum
- External ground screw
- Shallow Base

Ordering Information

8 5 0 3 - - 8 - - -

Fixture Type:

- A = Runway centerline light or Rapid exit taxiway light
- B = Touchdown zone light

Color:

- CC = Clear/Clear (Fig. A2-7, A2-6)
- CR = Clear/Red (Fig. A2-7, A2-6)
- YX = Yellow/Blank (Fig. A2-6)
- C = Clear (Fig. A2-5)
- CX = Clear/Blank (Fig. A2-5)*

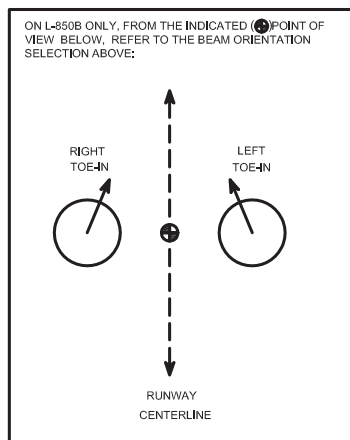
8-Inch Diameter ICAO Fixture:

L-823 Plug Connection:

- P1 = One plug
- P2 = Two plugs (Fig A2-7. Bi-directional units only. For this feature only, blank is not considered a color)

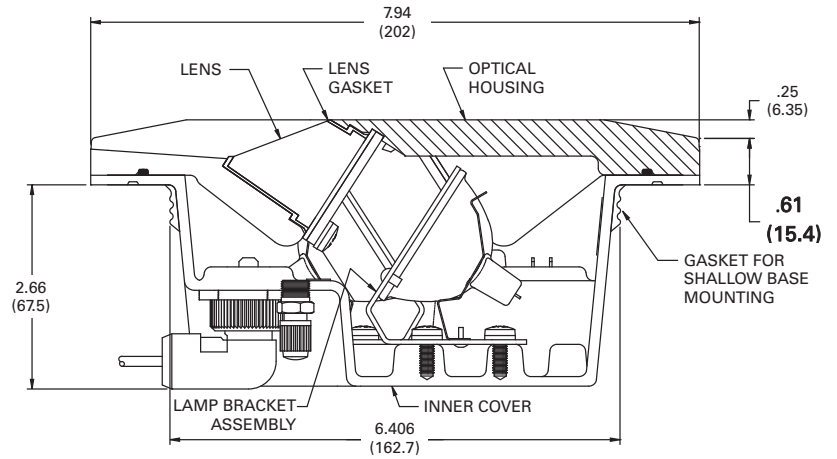
Beam Orientation (850B3 only):

- L = Left Toe-in
- R = Right Toe-in
- S = Straight

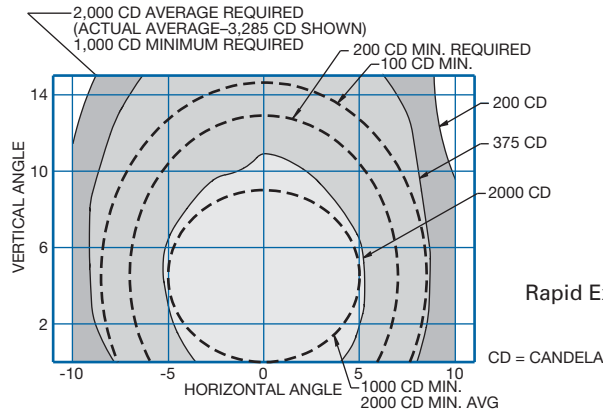
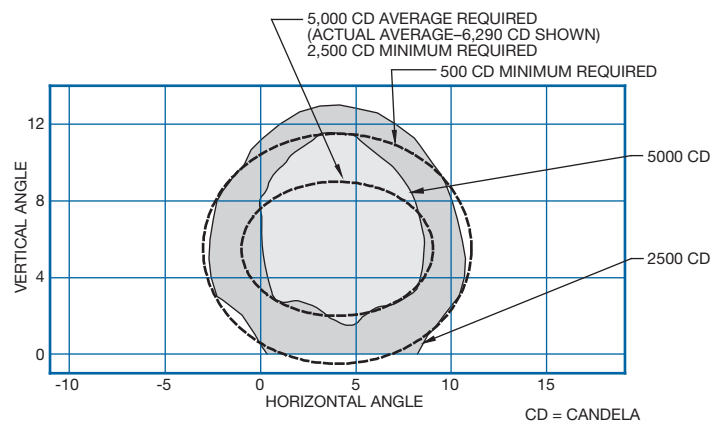
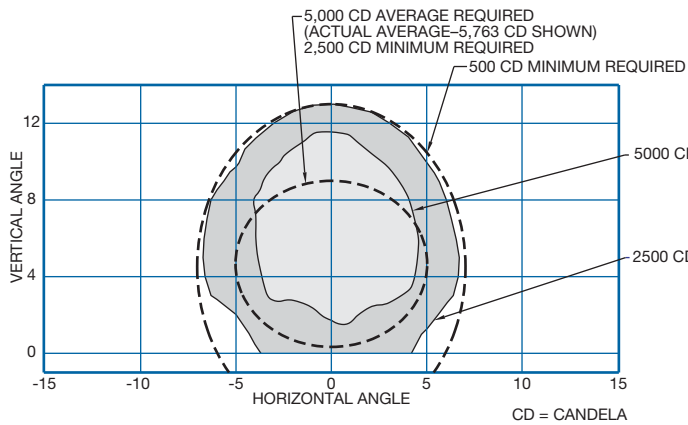


Outline Drawings

Dimensions:	Inches (mm)
Instruction Manual:	2003
Shipping Weight:	5.0 lbs. 2.3 kg.
Shipping Volume:	.7 cu. ft. 0.2 m ³



Typical Photometric Data



Accessories

Item Description	Catalog Number	Item Description	Catalog Number
Connector Kit – L-823, 8 AWG, 0.32" to 0.43" O.D.	54 Super-D4-D4	Isolation Transformer	See Transformer Section
Connector Kit with ground 5KV	823KP-S-D4-D4	Shallow Base	See Bases Section
Heat Shrink Kit – 1 Piece	10047-2154		
Heat Shrink Kit – 2 Piece	10047-1425		

Renewal Parts

Item Description	Catalog Number	Item Description	Catalog Number
Feed-through Assembly – 1 Lamp, 1 Connector	21122	Lens Replacement Kit – Clear	21126-C
Feed-through Assembly – 2 Lamp, 1 Connector	21121	Lens Replacement Kit – Green	21126-G
Gasket – Bottom Cover	21140	Lens Replacement Kit – Red	21126-R
Lamp – 48 W, 6.6 A	21116	Lens Replacement Kit – Yellow	21126-Y
		O-Ring – Bottom Cover	10035-0062

Note: 1. Lens Replacement Kit includes lens, lens boot, lens retaining gasket, gasket lubricant, and lens retaining bracket and screws.