

ATX™ PJ Series Portable Floodlights

Flameproof. Halogen

ATEX:
 Zone 1 and 2 - 21 and 22
 II 2 GD
 IP66 - IK10

Applications

- Typical applications include aircraft manufacturing and maintenance facilities, refineries, chemical and electrochemical plants and where the permanent mounting of a fixture is not practical.

Features

- 55-70 W H3 halogen lamp.
- PK22S lamp holder.
- Connection via two terminals 1 x 2.5 mm² (0.002 x 0.004 in²).
- Internal earth connection 1 x 2.5 mm² (0.002 x 0.004 in²).
- External earth connection 1 x 4 mm² (0.002 x 0.006 in²).
- One M20 threaded rear entry.
- Operates in any position.
- Installed on cradle to allow horizontal and vertical adjustment.

Standard Materials

- Body and bezel: gray painted aluminum alloy
- Lamp glass: sealed toughened glass
- Carrying handle: plastic covering

ATEX Certifications and Compliances

- Certification Type: PJ70
 - Gas: Zones 1 - 2
 - Conforming to ATEX 94/9/CE: II 2 G
 - Type of Protection: Ex d IIC
 - Temperature Class: T3 to T4 [See *T Rating (Gas) and Surface Temperature (Dust) Table*]
 - Dust: Zone 21 - 22
 - Conforming to ATEX 94/9/CE: II 2 D
 - Type of Protection: Ex td A21
 - Surface Temperature: T120 °C to T142 °C (T248 °F to T288 °F) [See *T Rating (Gas) and Surface Temperature (Dust) Table*]



- Ambient Temperature: -40 °C to +55 °C (-40 °F to +131 °F)
- CE Declaration of Conformity: 50239
- ATEX Certificate: LCIE 02 ATEX 6227
- Index of Protection according EN/IEC 60529: IP66
- Impact Resistance (shock): IK10
- Internal Volume: < 2 dm³ (122 in³) - 2 liters

T Rating (Gas) and Surface Temperature (Dust) Table

Lamp Type and Wattage	Position	Gas Temperature Rating			Dust Surface Temp
		Ta = +40 °C (+104 °F)	Ta = +50 °C (+122 °F)	Ta = +55 °C (+131 °F)	at Ta = +55 °C (+131 °F)
55 and 70 Watt Halogen		T4	T3	T3	+142 °C (+288 °F)
		T4	T4	T3	+135 °C (+275 °F)
		T4	T4	T4	+120 °C (+248 °F)

INCANDESCENT/HALOGEN/PORTABLE: ATEX FLAMEPROOF

Appleton®

ATX™ PJ Series Portable Floodlights

Flameproof. Halogen

ATEX:
 Zone 1 and 2 - 21 and 22
 II 2 GD
 IP66 - IK10

Catalog Number Logic

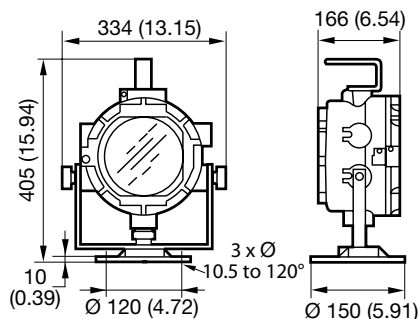
PJ
 |
 Series:
 PJ - PJ Series
 Zone 1 and 2 - 21 and 22
 ATEX Certified

55
 |
 Lamp Type:
 55 - 55 Watt Halogen
 70 - 70 Watt Halogen

01B
 |
 Supply Voltage:
 01B - 12 Vac/Vdc
 02B - 24 Vac/Vdc
 11A - 110 Vac, 50/60 Hz
 23A - 230 Vac, 50/60 Hz

Lamp Type, Wattage and Voltage	Weight kg (lb)	Volume dm ³ (in ³)	Catalog Number
55 W Halogen 12 Vac/Vdc	8 (17.64)	27 (1647.6)	PJ5501B
70 W Halogen 24 Vac/Vdc	8 (17.64)	27 (1647.6)	PJ7002B
70 W Halogen 110 V, 50/60 Hz ①	8 (17.64)	27 (1647.6)	PJ7011A
70 W Halogen 230 V, 50/60 Hz ②	8 (17.64)	27 (1647.6)	PJ7023A

Dimensions in Millimeters (Inches)



① With transformer 110/24 V (+6% -10%)
 ② With transformer 230/24 V (+6% -10%)