



# FlexAccent G2

## RS391B LED35/840 PSU-E WB GM

Electronic transformer - - - 34°

FlexAccent G2 is a functional LED accent lighting product delivering high quality of light, outstanding color, compact design and tailor mode option. ;It offers optimized color spectrum that enhances look of merchandise with PremiumWhite CoB LED technology. ;FlexAccent G2 creates very “true” lighting effect – the real CDM-Elite replacement with 1000lm to 3500lm output/head.;It could apply to shopping mall, retail store, fashion shop etc.

### Product data

General Information	
Beam angle of light source	- °
Light source color	840 neutral white
Number of gear units	1 unit
Driver/power unit/transformer	Electronic transformer
Driver included	No
Optic type	-
Luminaire light beam spread	34°
Control interface	-
Connection	External connector
Protection class IEC	Safety class II
Glow-wire test	Temperature 600 °C, duration 30 s
Flammability mark	-
CE mark	CE mark
ENEC mark	-
Warranty period	3 years
Constant light output	No
Number of products on MCB of 16 A type B	-

RoHS mark	RoHS mark
Operating and Electrical	
Input Voltage	220 to 240 V
Input Frequency	50 to 60 Hz
Power Factor (Min)	0.9
Controls and Dimming	
Dimmable	No
Mechanical and Housing	
Housing Material	Aluminum die cast
Reflector material	-
Optic material	Polymethyl methacrylate
Optical cover/lens material	Polymethyl methacrylate
Fixation material	Aluminum
Optical cover/lens finish	Textured
Overall height	104 mm
Overall diameter	156 mm

## FlexAccent G2

Color	White
-------	-------

### Approval and Application

Ingress protection code	IP20 [ Finger-protected]
Mech. impact protection code	IK03 [ 0.3 J]

### Initial Performance (IEC Compliant)

Initial luminous flux (system flux)	3500 lm
Luminous flux tolerance	+/-10%
Initial LED luminaire efficacy	72.92 lm/W
Init. Corr. Color Temperature	4000 K
Init. Color Rendering Index	>80
Initial chromaticity	SDCM<4
Initial input power	48 W
Power consumption tolerance	+/-10%

### Over Time Performance (IEC Compliant)

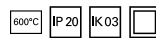
Median useful life L70B50	30000 h
---------------------------	---------

### Application Conditions

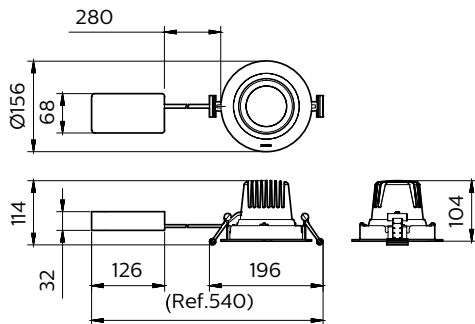
Ambient temperature range	-15 to +35 °C
Maximum dim level	Not applicable
Suitable for random switching	No

### Product Data

Full product code	911401893499
Order product name	RS391B LED35/840 PSU-E WB GM
Order code	911401893499
Numerator - Quantity Per Pack	1
Numerator - Packs per outer box	1
Material Nr. (12NC)	911401893499
Net Weight (Piece)	1.699 kg



## Dimensional drawing



GD391B/RS391B/ST391T Flex Accent G2

