



Smart LED Post-top

BGP151 LED3000/WW PSU 220-240V 7043

Power supply unit

Smart LED Post-top is an affordable LED lighting fixture that combines reliability and good light distribution. With its pleasing proportions and well-sculpted lines, it blends in seamlessly with its surroundings.

Product data

| General Information | |
|-------------------------------|-----------------------|
| Light source color | Warm white |
| Driver/power unit/transformer | Power supply unit |
| RAL color | Traffic gray B (7043) |

| Operating and Electrical | |
|--------------------------|--------------|
| Input Voltage | 220 to 240 V |
| Input Frequency | 50 to 60 Hz |

| Approval and Application | |
|------------------------------|---|
| Ingress protection code | IP65 [Dust penetration-protected, jet-proof] |
| Mech. impact protection code | IK08 [5 J vandal-protected] |

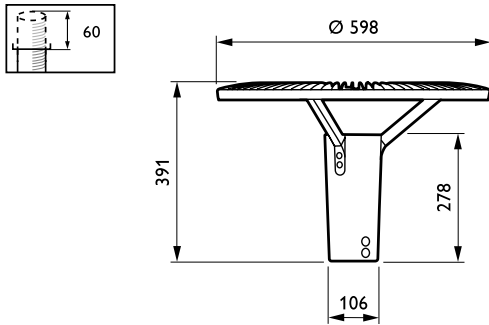
| Initial Performance (IEC Compliant) | |
|-------------------------------------|--------|
| Init. Corr. Color Temperature | 3000 K |
| Initial input power | 43 W |

| Application Conditions | |
|---------------------------|---------------|
| Ambient temperature range | -20 to +35 °C |

| Product Data | |
|---------------------------------|-------------------------------------|
| Full product code | 911401657802 |
| Order product name | BGP151 LED3000/WW PSU 220-240V 7043 |
| Order code | 911401657802 |
| Numerator - Quantity Per Pack | 1 |
| Numerator - Packs per outer box | 1 |
| Material Nr. (12NC) | 911401657802 |
| Net Weight (Piece) | 7.200 kg |

Smart LED Post-top

Dimensional drawing



Smart LED Post-top BGP151

