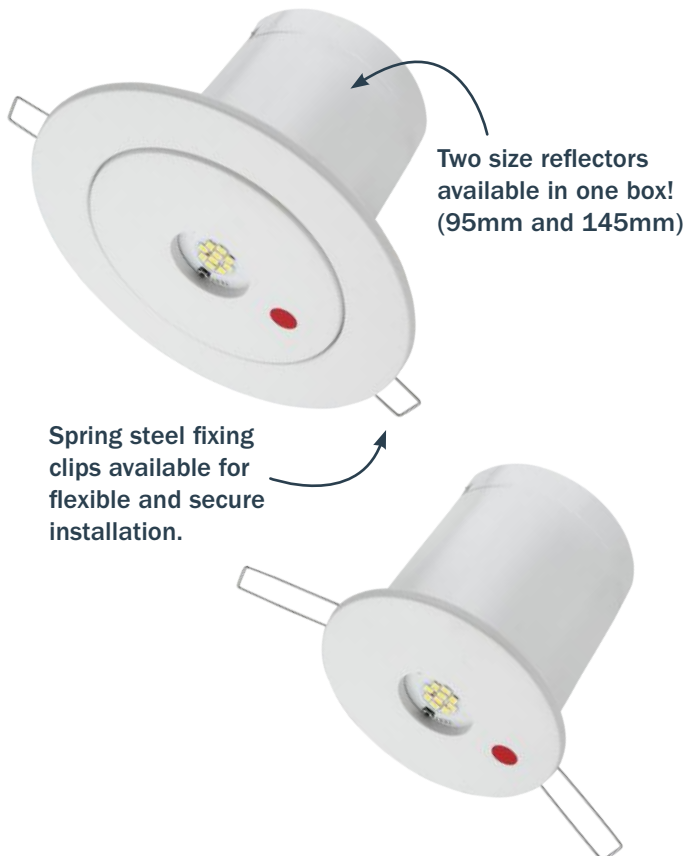


REL10NM-LED-CU RECESS LED

**MINIMALIST FUSS-FREE DESIGN
AND YET HIGHLY EFFICIENT**



TECHNICAL SPECIFICATIONS

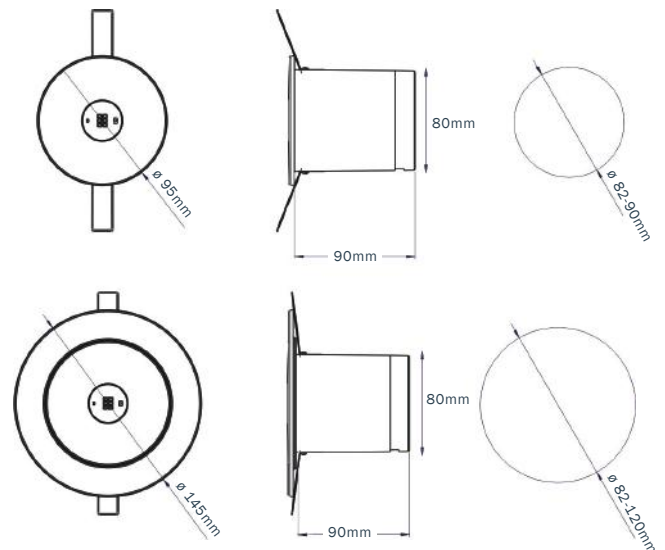
MODEL NO:	REL10NM-LED-CU
Mode of Operation:	Non-Maintained
Lamp:	3W White LED
Rated Duration:	3 Hours
Mains Supply:	220-240 Volts, 50-60Hz
Power Consumption:	< 1.5W
Battery:	High Temperature Nickel Cadmium
Charger:	Regulated variable rate
Charge Monitor:	LED
Test Facility:	Micro switch
Safety Features:	Low battery voltage cut off to prevent over discharge
Fitting Construction:	Injection moulded with fire retardant (UL94), high impact material
Weight:	Approx. 0.4 Kg
Standards / Compliance:	SS IEC 60598-2-22, SS 563, IEC 61347-2-7, IEC 61347-2-13

Ordering Guide:

Ordering Code

REL10NM-LED-CU

- All In One Compact design for fast installation and easy maintenance.
- Energy savings; Extra low standby power consumption
- Durable fire retardant housing (UL 94) to combat corrosion
- Perfect as Escape Route lighting and Anti-Panic Lighting.
- Maximum Efficiency and perfect light distribution that result to very wide spacing thus lesser number of emergency luminaires are needed in conformity with relevant standards.



CLASS II



PSB Singapore

