

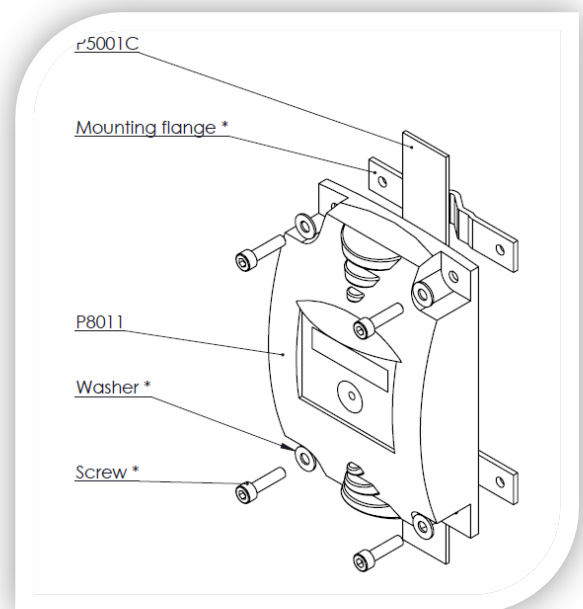
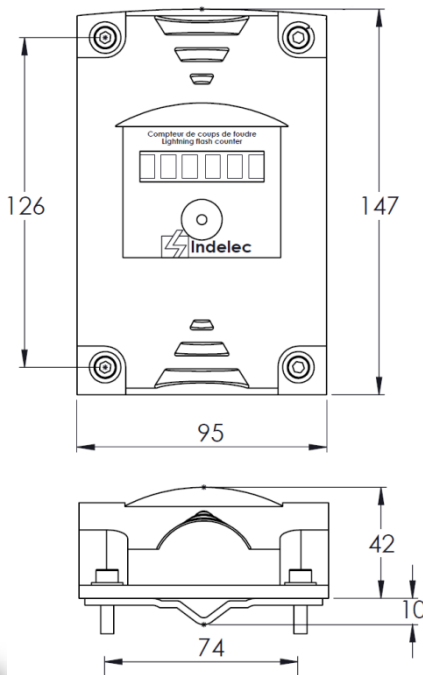
Digital flash lightning counter

Reference	P8011	
Characteristics		
Minimal detectable current	I_d	1 kA
Maximal detectable Current	I_{max}	100 kA
Minimum current sensitivity($i_d/3$)	I_{nd}	333 A
Protection Class	IP	67
Net Weight	W	0.700 kg
Operating principles		
Display	Digital	
Digits	6	
Recording	By induction while lightning current pass through down conductor	
On-site testing capabilities	Proprietary tester ref. P8015	
Maintenance	Replaceable lithium batteries P8017	
Warranty	18 months	
Mechanical specifications		
Down conductor fixing	Specific clamp (included)	
Certifications		
EN 62561-6 Standard	Attestation N°IND-62561-6-08112016	



Lightning Counter Tester
Ref P8015

Dimensions (mm)



Application

DOC225a_VEN-Rev1

