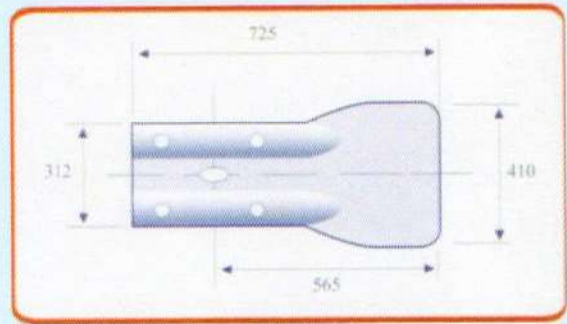


3. GUARDRIL (Pengaman Jalan)

3.1 Digunakan Untuk Applied for :

3.2 Spesifikasi

3.3 Dimension And Properties



3.1 Digunakan Untuk Applied for :

- Road Safety
- Corner Safety
- Cliff Safety
- Etc

3.2 Spesifikasi (Specification)

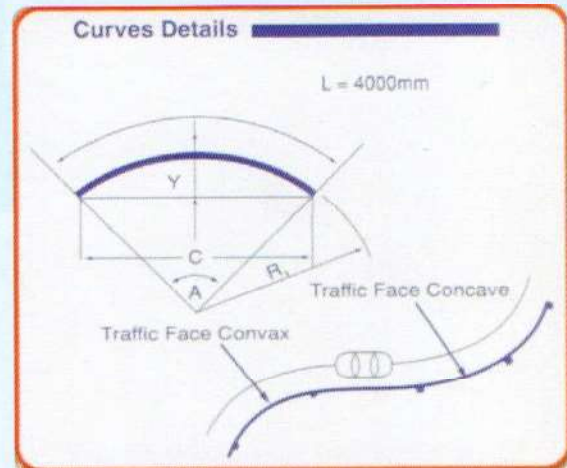
Design : SNI 07-0950-1989

Material : - Steel : JIS G 3101 SS400

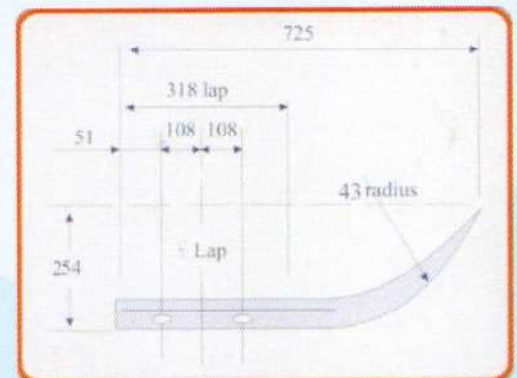
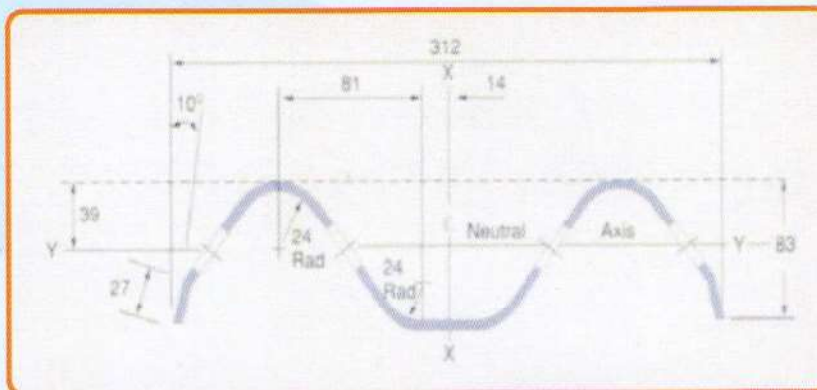
- Bolt and Nut : AS-1252-1973, AS-1112 grade 8.8

Galvanize : - AS 1650

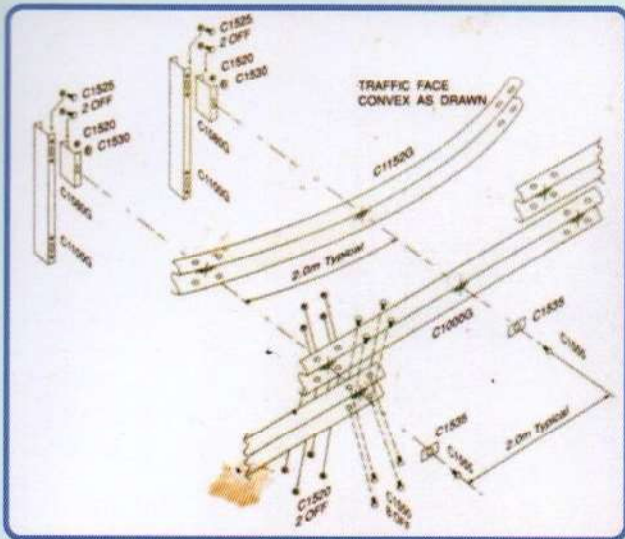
- ASTM A-123



3.3 Dimension And Properties



Section	t mm	A mm ²	Ixx 10 ⁶ mm ⁴	Iyy 10 ⁶ mm ⁴	Zxx 10 ⁶ mm ³	Zyy 10 ⁶ mm ³	Mass/mm Kg
Guardrail	2.7	1284	12.49	0.96	80.30	22.45	10.00
	4.5	1368	6.96	1.27	78.19	18.18	10.74
Posts	6.0	1825	7.38	1.36	105.48	19.46	14.33



Part No.	Description	Quantity
C1000G	4.0m Rail - Straight	1
C1152G	4.0m Rail - Curved (Concave or Convex)	1
C1070G	0.80m Stiffener-for intermediate post	1
C1080G	0.35m Block-6mm steel	2
C1100G	1.8m post-6mm steel	2
C1520G	M16 Oversize nut	10
C1525G	M16 x 30 Hex Hd. M.S.B./N for Block	4
C1530G	M16 Oversize washer round-under post bolt head	2
C1535G	M16 Slot-Rectangle Washer under post bolt head	2
C1550G	M16 x 32 splice bolt-mush Hd High tensile	8
C1555G	M16 x 50 Post bolt-mush Hd High tensile	2



Guardrail

