

## Parking Barrier Gate BGC300 series



### Parameters:

Maximum straight boom length	4s type	4.5m
	6s type	6m
Opening and closing times	3s/6s	
Voltage	220V/110V +-10%	
Frequency	60HZ/50HZ	
Motor power consumption	120W	
Working temperature	-40°to 85°	
Housing dimension	300(Width)*240(Depth)*996(Height)mm	
Base Dimension	347(Width)*264(Depth)	
Weight not including barrier boom	34kgs	
Drive	Torque motor	

### Features:

- Integrative machine core: all part is made by mold, so all parts can be more accurate. And so the barrier gate can be much more stable;
- Left or right installed can be amendable. Customer can amend install direction by himself.
- No need to change spring for boom length changing (one spring for 3-6m boom);
- Aluminum die casting machine core and big reduction ratio transmission motor solve the problem of motor blocking.
- Barrier can warm up automatically by itself if temperature is 0 degree or below, so barrier still can work in very cold environment.

**Boom Gate System**  
Superior Performance with  
**ULTIMATE TECHNOLOGY**

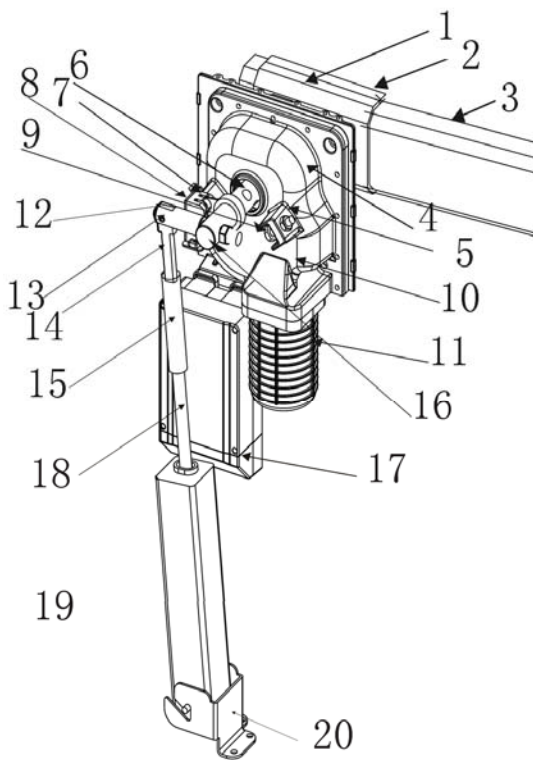


**Boom Type: Straight Boom**



Type	Opening and closing times	Maximum boom length
Straight Boom	4s	4.5m
	6s	6m

**Main Structure:**



- 1. Boom holder
- 2. Boom cover
- 3. Boom
- 4. Machine core housing
- 5. Mechanical limited position
- 6. Mechanical limited switch
- 7. Electrical limited switch flake
- 8. Mechanical limited position
- 9. Electrical limited switch flake
- 10. Electrical limited switch
- 11. Motor
- 12. Spring shaft
- 13. Connector
- 14. Connecting rod
- 15. Connecting screw
- 16. Transmission shaft
- 17. Main board
- 18. Spring pushing shaft
- 19. Spring housing
- 20. Base to fix spring.



**IDEal Automation Gate Company Limited**

6F No. 728 CC Rod, Taipei 23511

Taiwan