

JM(JGK), CABLE LUG

Application:

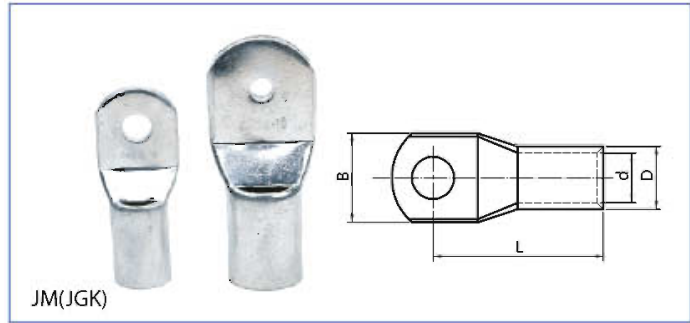
Used for connection of copper cable with copper end of electrical equipment in low voltage.

Material: Cu ≥ 99.9%

Surface: tin plated

Feature:

- There is an arc-shaped viewing window on bevel for checking the location of conductor.



Type	Conductor Size (mm ²)	Dimensions				Stud Size	Pack(pcs)	Crimping Tool/Die
		L(mm)	d(mm)	D(mm)	B(mm)			
JM(JGK)1.5-4	1.5	14	1.9	3.1	7.5	M4	2000x12	JM-16
JM(JGK)1.5-5		14	1.9	3.1	8	M5		
JM(JGK)1.5-6		13	1.9	3.35	9	M6		
JM(JGK)2.5-4	2.5	15	2.8	4	8	M4	2000x12	JM-16
JM(JGK)2.5-5		15.5	2.8	4	8	M5		
JM(JGK)2.5-6		15.5	2.6	4	9	M6		
JM(JGK)4-4	4	16	3.2	4.5	8	M4	1500x12	JM-16
JM(JGK)4-5		16.5	3.2	4.5	8	M5		
JM(JGK)4-6		17	3.2	4.5	9.3	M6		
JM(JGK)6-4	6	17.5	3.7	5.1	9.2	M4	1000x12	JM-16
JM(JGK)6-5		17.5	3.7	5.1	9.2	M5		
JM(JGK)6-6		18	3.7	5.1	9.8	M6		
JM(JGK)6-8		18	3.7	5.3	12	M8		
JM(JGK)6-10		17.5	3.7	5.3	12.8	M10		
JM(JGK)10-5	10	19	4.5	6.1	10.3	M5	800x12	JM-16
JM(JGK)10-6		19	4.5	6.1	10.3	M6		
JM(JGK)10-8		19	4.5	6.1	12	M8		
JM(JGK)10-10		20	4.5	6.3	13.2	M10		
JM(JGK)16-6	16	22	5.7	7.3	11	M6	500x12	JM-16/MT16
JM(JGK)16-8		23	5.7	7.3	12.5	M8		
JM(JGK)16-10		23	5.7	7.5	14	M10		
JM(JGK)25-6	25	26	7.2	9	13.1	M6	300x12	MT25
JM(JGK)25-8		26.5	7.2	9	13.1	M8		
JM(JGK)25-10		26.5	7.2	9	14.5	M10		
JM(JGK)25-12		28.5	7.2	9	16.5	M12		
JM(JGK)35-6	35	28	8.5	10.8	15.8	M6	600x4	MT35
JM(JGK)35-8		29	8.5	10.8	15.8	M8		
JM(JGK)35-10		30	8.5	10.8	15.8	M10		
JM(JGK)35-12		29.5	8.5	10.8	17.4	M12		

JM(JGK), CABLE LUG

Type	Conductor Size (mm ²)	Dimensions				Stud Size	Pack(pcs)	Crimping Tool/Die
		L(mm)	d(mm)	D(mm)	B(mm)			
JM(JGK)50-6	50	32	9.8	12.5	18.1	M6	350x4	MT50
JM(JGK)50-8		33.5	9.8	12.5	18.1	M8		
JM(JGK)50-10		35	9.8	12.5	18.1	M10		
JM(JGK)50-12		35	9.8	12.5	18.3	M12		
JM(JGK)50-14		35	9.8	12.5	18.3	M14		
JM(JGK)70-6	70	38	11.5	14.5	21	M6	250x4	MT70
JM(JGK)70-8		38	11.5	14.5	21	M8		
JM(JGK)70-10		39.5	11.5	14.5	21	M10		
JM(JGK)70-12		39.5	11.5	14.5	21	M12		
JM(JGK)70-14		39.5	11.5	14.5	21	M14		
JM(JGK)70-16		38	11.5	14.5	23	M16		
JM(JGK)95-8	95	45	13.7	17	24.8	M8	150x4	MT95
JM(JGK)95-10		44	13.7	17	24.8	M10		
JM(JGK)95-12		44	13.7	17	24.8	M12		
JM(JGK)95-14		45	13.7	17	24.8	M14		
JM(JGK)95-16		44.5	13.7	17	26	M16		
JM(JGK)120-8	120	48	15	19	27.5	M8	100x4	MT120
JM(JGK)120-10		48	15	19	27.5	M10		
JM(JGK)120-12		49	15	19	27.5	M12		
JM(JGK)120-14		49	15	19	27.5	M14		
JM(JGK)120-16		50	15	19	27.5	M16		
JM(JGK)120-20		51.5	15	19	32	M20		
JM(JGK)150-8	150	56	16.7	21	30	M8	80x4	MT150
JM(JGK)150-10		56	16.7	21	30	M10		
JM(JGK)150-12		56	16.7	21	30	M12		
JM(JGK)150-14		56	16.7	21	30	M14		
JM(JGK)150-16		56	16.7	21	30	M16		
JM(JGK)150-20		57	16.7	21	30	M20		
JM(JGK)185-10	185	61	19.2	23.5	34	M10	60x4	MT185
JM(JGK)185-12		60.5	19.2	23.5	34	M12		
JM(JGK)185-14		61	19.2	23.5	34	M14		
JM(JGK)185-16		62	19.2	23.5	34	M16		
JM(JGK)185-18		61.5	19.2	23.5	34	M18		
JM(JGK)185-20		63	19.2	23.5	34	M20		

Type	Conductor Size (mm ²)	Dimensions				Stud Size	Pack(pcs)	Crimping Tool/Die
		L(mm)	d(mm)	D(mm)	B(mm)			
JM(JGK)240-10	240	71	21	26	37.4	M10	40x4	MT240
JM(JGK)240-12		71	21	26	37.4	M12		
JM(JGK)240-14		71.5	21	26	37.4	M14		
JM(JGK)240-16		72.5	21	26	37.4	M16		
JM(JGK)240-20		73.5	21	26	37.4	M20		
JM(JGK)300-10	300	79	24	30	43.2	M10	25x4	MT300
JM(JGK)300-12		78.5	24	30	43.2	M12		
JM(JGK)300-16		78.5	24	30	43.2	M16		
JM(JGK)300-20		80.5	24	30	43.2	M20		
JM(JGK)300-22		80.5	24	30	43.2	M22		
JM(JGK)400-10	400	87.5	27	34	49	M10	18x4	MT400
JM(JGK)400-12		87.5	27	34	49	M12		
JM(JGK)400-16		86.5	27	34	49	M16		
JM(JGK)400-18		89	27	34	49	M18		
JM(JGK)400-20		88.5	27	34	49	M20		
JM(JGK)500-12	500	96.5	30	38	55	M12	12x4	MT500
JM(JGK)500-16		96.5	30	38	55	M16		
JM(JGK)500-20		96.5	30	38	55	M20		
JM(JGK)630-12	630	109	35	44	64	M12	8x4	MT630
JM(JGK)630-14		109	35	44	64	M14		
JM(JGK)630-16		109	35	44	64	M16		
JM(JGK)630-20		109	35	44	64	M20		
JM(JGK)630-22		109	35	44	64	M22		
JM(JGK)630-10/4		91	35	44	64	4xM10		
JM(JGK)800	800	-	39	50	71.5	-	5x4	MT800
JM(JGK)800-16		134	39	50	71.5	M16		
JM(JGK)800-20		134	39	50	71.5	M20		
JM(JGK)800-22		134	39	50	71.5	M22		
JM(JGK)1000	1000	-	44	56	81	-	3x4	MT1000
JM(JGK)1000-20		160	44	56	81	M20	4x4	

MELEC NORM

Make Cable CONNECTIONS More Reliable