

## Non-spring return damper actuators

### M9300

*(Joventa New non-spring return damper serie)*

*8, 10, 20 and 35 Nm, ON/OFF, floating and proportional control*

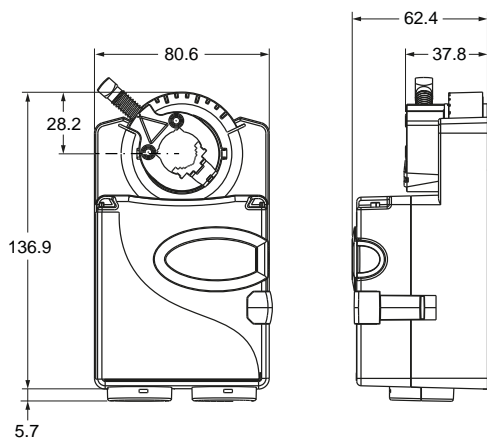
The M9300 series electric non-spring return actuators provide control of dampers in HVAC Systems with 8, 10, 20 and 35 Nm rated torque.

These bidirectional actuators do not require a damper linkage and are easily installed on round shafts or square shafts.

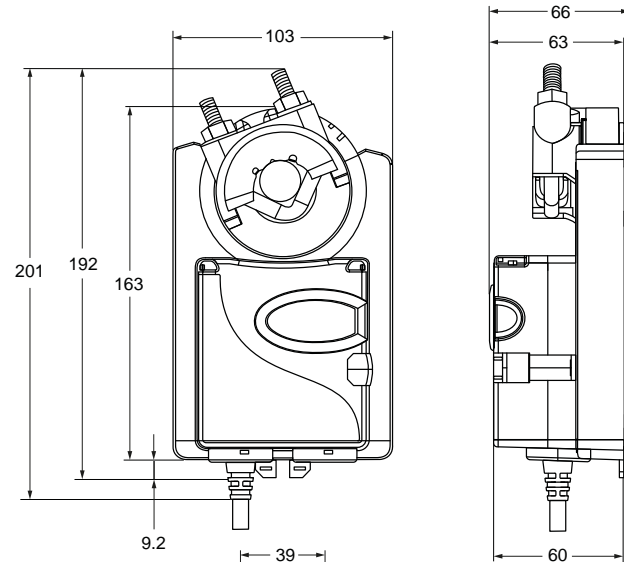
An optional line voltage auxiliary switch kits can be field installed to indicate an end-stop position or perform switching functions within the selected rotation range.

#### Features

- ▶ Automatic signal input detection model: ON/OFF, floating and proportional
- ▶ High speed actuator model
- ▶ Optional auxiliary switch and potentiometer feedback.
- ▶ 8, 10, 20 and 35 Nm rated torque
- ▶ Self-calibrating to adjust stroke
- ▶ Electronic stall detection
- ▶ Microprocessor-controlled Brushless DC motor



M9308 / M9310



M9308 / M9310

Dimensions in mm

## Non-spring return damper actuators

### M9300

*(Joventa New non-spring return damper serie)*

#### Ordering information

Codes		Torque (Nm)	Running time (s)	Control signals	Supply voltage (50/60Hz)
Johnson Controls	Joventa				
M9308-AGA-1Z	DA1.08Z	8	8	ON/OFF and floating	24 VAC/DC
M9310-AUA-1	DA2.10	10	35	ON/OFF and floating	AC 100 to 240 V (AC 85 to 264 V)
M9310-HGA-1	DM1.10	10	35	ON/OFF, floating and proportional	24 VAC/DC
M9320-AUA-1	DM2.20	20	90	ON/OFF and floating	AC 100 to 240 V (AC 85 to 264 V)
M9320-HGA-1	DM1.20	20	90	ON/OFF, floating and proportional	24 VAC/DC
M9335-HGA-1	DM1.35	35	150	ON/OFF, floating and proportional	24 VAC/DC

#### Accessories (order separately)

Codes	Description
M9000-322	NEMA 4x, IP66 Weathershield kit for damper application of M9104, M9310, M9203 and M9208 series electric actuators (quantity 1)
M9000-400	Jackshaft linkage adapter kit (quantity 1)
M9000-561	Thermal barrier kit. Extends the VA9104, VA9310, VA9203 and VA9208 series electric non spring return actuators applications to include low pressure steam (quantity 1)
M9000-604	Replacement anti-rotation bracket Kit for M9310, M9203, M9208, M9210 and M9220 series electric actuators
M9000-606	Position indicator for M3000 kits (quantity 5)
M9300-1	Auxiliary switch kit (one single-pole, double-throw)
M9300-2	Auxiliary switch kit (two single-pole, double-throw)
M9300-100	Threaded conduit adapters for 12.7 mm electrician's fittings (quantity 5)
M9300-140	External auxiliary feedback potentiometer 140k Ohm
M9000-151	Remote mounting kit, with crank arm and damper linkage for M9100 and M9300 series actuators
M9300-1K	External auxiliary feedback potentiometer 1k Ohm
M9300-2K	External auxiliary feedback potentiometer 2k Ohm
M9300-10K	External auxiliary feedback potentiometer 10k Ohm
M9310-600	Standard coupler kit, M9310 series (9.5 to 19 mm - 9.5 to 16 mm) (quantity 1)