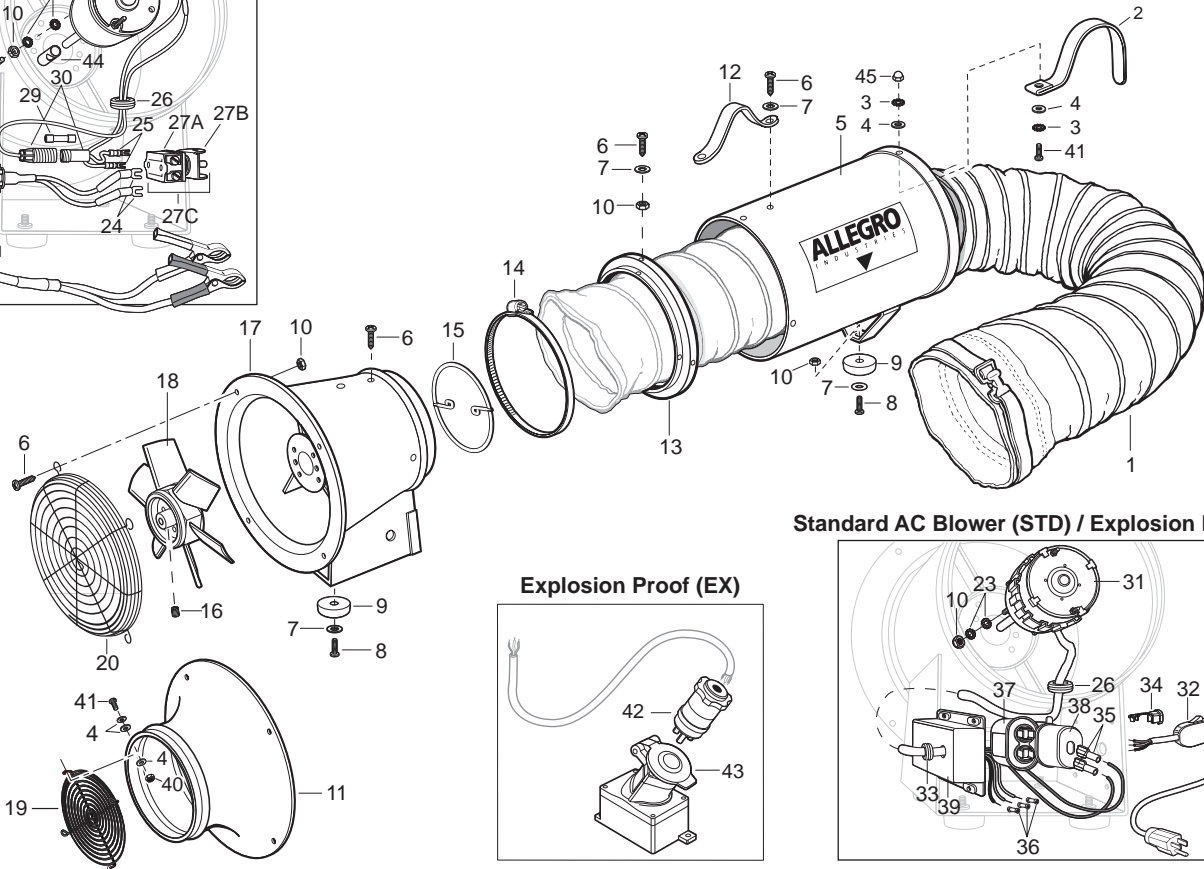
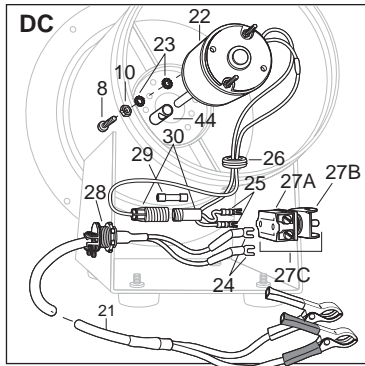
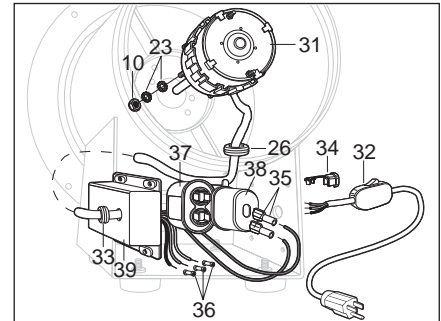
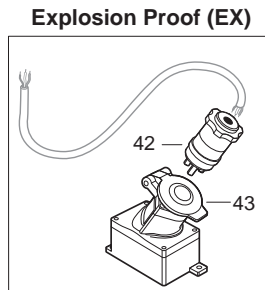


**AXIAL BLOWERS-AC (9513, 9513-05, 9514, 9514-05, 9514-06, 9514-25)  
 AXIAL BLOWERS-DC (9506, 9506-01, 9506-25)  
 AXIAL BLOWERS-EX (9513-05, 9514-05, 9514-06)  
 AXIAL INLINE BOOSTER BLOWERS-AC (9513-I), EX (9513-05I)**



**Standard AC Blower (STD) / Explosion Proof (EX)**



Key Part #	Description	Key Part #	Description	Key Part #	Description
9513	AC Axial Blower (STD)	7	9500-63 Flat Washer	27B	9865-14 Switch Guard
9513-05	AC Axial EX Proof Blower	8	9500-75 Machine Screw	27C	9865-13A Toggle Switch w/Guard
9514	AC Axial w/Canister-15'	9	9505-06 Feet (Blower)	28	9506-04 Cord, Strain Relief
9514-05	AC Axial EX Proof Blower w/Canister-15'	10	9500-69 Nylon Lock Nut	29	9506-11 Fuse
9514-06	AC Axial EX Proof Blower w/Canister-25'	11	9500-03A 8" Axial Intake Adapter	30	9506-42 Fuse Holder
9514-25	AC Axial Blower w/Canister-25'	12	9513-07 Handle	31	9513-03 1/3 HP Motor, STD 9513-03EX 1/3 HP Motor, EX (w/Cord)
9506	DC Axial Blower	13	9513-60 Canister Ring	32	9512-02 Cord (STD)
9506-01	DC Axial Blower w/Canister-15'	14	9514-01B Duct Clamp	33	9513-13 Grommet
9506-25	DC Axial Blower w/Canister-25'	15	9513-09 Motor Clamp	34	9513-10 Cord, Strain Relief
9513-I	AC Axial Inline Blower	16	9513-62 Set Screw	35	9513-15 Female Disc.
9513-05I	AC Axial EX Proof Inline Blower	17	9513-04 Chasis	36	9513-14 Butt End Connector
1	9500-15A Ventilation Duct 15' 9500-25A Ventilation Duct 25' 9500-15AEX Static Conductive Duct 15' 9500-25AEX Static Conductive Duct 25'	18	9513-01 Fan, STD 9513-01EX Fan, EX	37	9513-63 Capacitor
2	9514-01C Strap w/Hook, Duct Retainer	19	9534-02 Fan Guard	38	9513-64 Capacitor Boot
3	9500-71 Lock Washer	20	9513-02 Fan Guard	39	9513-11 Capacitor Housing
4	9800-85 Flat Washer	21	9506-40 Power Cord (w/Clamps)	40	9800-87 Lock Nut
5	9514-01A Ducting Canister 15' 9514-02A Ducting Canister 25'	22	9506-10 Motor /DC 1/3 H.P.	41	9800-84 Screw
6	9800-66 Machine Screw	23	9500-71 Lock Washer	42	9503-02 Plug, 20A/125V, EX (Sold Separately)
		24	9800-78 Yellow Spade	43	9503-03 Receptacle, 20A/125V, EX
		25	9500-94 Blue Spade	44	9513-61 Retaining Sleeve
		26	9513-12 Grommet	45	9800-89 Acorn Nut
		27A	9865-13 Toggle Switch		