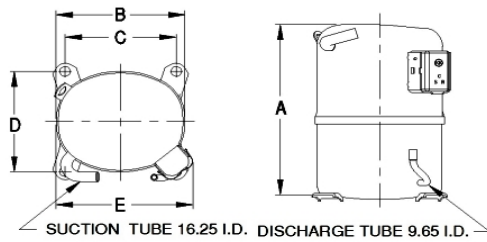


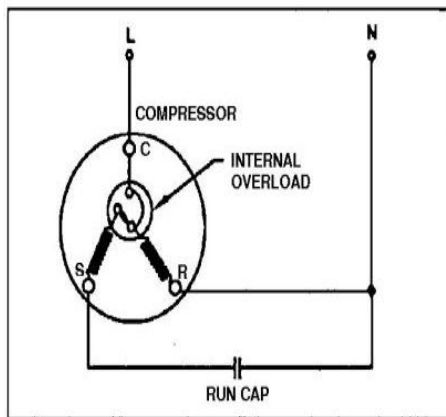


**PRINCIPAL DIMENSIONS - mm**



|        |        |        |        |        |
|--------|--------|--------|--------|--------|
| A: 324 | B: 223 | C: 191 | D: 191 | E: 239 |
|--------|--------|--------|--------|--------|

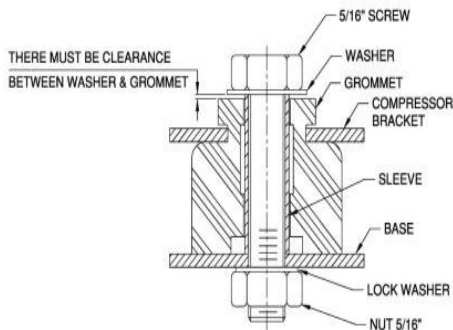
**SCHEMATIC WIRING DIAGRAM P.S.C.**



Low Torque Start

**SCHEMATIC WIRING DIAGRAM -**

**MOUNTING KIT**



Electrical : 220-240 V/50 Hz. 1 Phase

**Nominal Performance**

|                        |                        |
|------------------------|------------------------|
| Capacity               | 8,675 / - Watts        |
|                        | 29,599 / - BTU/Hr      |
|                        | 7,459 / - Kcal/Hr      |
| Power Input            | 3,100 / - Watts        |
| Locked Rotor Amps      | 85.00 / - Amps         |
| Max Continuous Current | - / - Amps             |
| Rated Load Amps        | 15.40 / - Amps         |
| COP                    | 2.80 / - Watts / Watts |
| EER                    | 9.55 / - BTU/W-Hr      |

**Testing Conditions**

|                         |             |             |
|-------------------------|-------------|-------------|
| Condensing Temperature  | 54.40 °C    | 129.9 °F    |
| Evaporating Temperature | 7.20 / - °C | 45.0 / - °F |
| Liquid Temperature      | 46.10 °C    | 115.0 °F    |
| Return Gas Temperature  | 35.00 °C    | 95.0 °F     |
| Ambient Temperature     | 35.00 °C    | 95.0 °F     |

**Application**

|                          |                |   |
|--------------------------|----------------|---|
| Evaporating Temp. Range  | HBP, A/C       | @ 0.00 ° C to 13.00 ° C<br>(32.0° F to 55.4° F) |
|                          | Heat Pump      | -23.30 ° C to 13.00 ° C<br>(-9.9° F to 55.4° F) |
| Refrigerant              | R22            |   |
| Refrigerant Flow Control | Capillary Tube |   |
| Compressor Cooling       | Fan            |   |

**Compressor and Motor data**

|                                 |                              |
|---------------------------------|------------------------------|
| Compressor Type                 | Reciprocating                |
| Displacement                    | 59.00 cc.                    |
| Oil Type                        | Mineral Oil                  |
| Oil Charge                      | 964 cc.                      |
| Motor Type                      | P.S.C ; 2 Pole 2,850 / - r/m |
| Voltage Range                   | 198-264/- Volts 50/- Hz.     |
| Winding Resistance at 25 ° C    |                              |
| Start                           | 1.94 Ohms                    |
| Run                             | 0.82 Ohms                    |
| Weight with Oil                 | 28.65 Kg.                    |
| Weight with Oil and Accessories | 29.15 Kg.                    |

**Electrical Components**

**Motor Protector**

|                          |                                    |
|--------------------------|------------------------------------|
| Type                     | Internal Overload                  |
| Model Number             | 4042KGE656-11                      |
| Open / Close             | 130-140 / 78-60 ° C                |
| 1st Cycle trip at 25 ° C | 83.00 Amps(main) 45.00 Amps(start) |

**Motor Starter (CSR Only)**

|                              |                    |
|------------------------------|--------------------|
| Type                         | Potential Relay    |
| Model Number                 | -                  |
| Pick Up (max.)               | - Volts            |
| Drop Out (min.)              | - Volts            |
| Terminal Cover               | KGM 901-3          |
| Start Capacitor (CSR Only)   | - µF - VAC.        |
| Disch Resistor for Start Cap | -                  |
| Run Capacitor                | 60 µF 370/440 VAC. |

**Mounting Kit**

|                |              |
|----------------|--------------|
| Rubber Grommet | 4007KGM905-2 |
| Sleeve Grommet | 4023KGM903-2 |
| Washer         | -            |

Since we are constantly improving our product , the specification are subject to change without notice.

REV. DATE  
13-10-17

C / N No.  
0394/17

**Certificate Marks**

