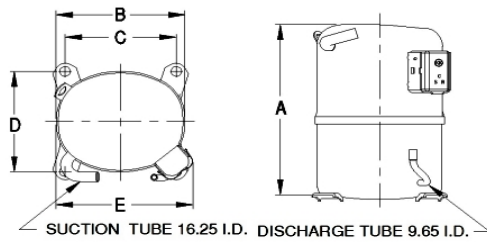


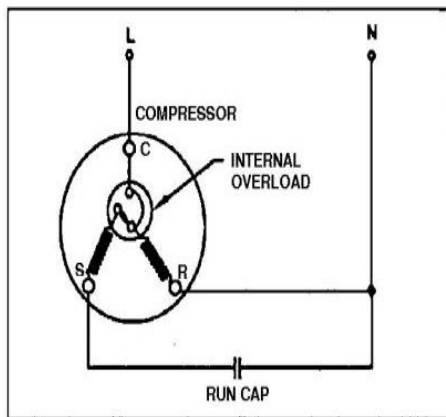


PRINCIPAL DIMENSIONS - mm



A: 324	B: 223	C: 191	D: 191	E: 239
--------	--------	--------	--------	--------

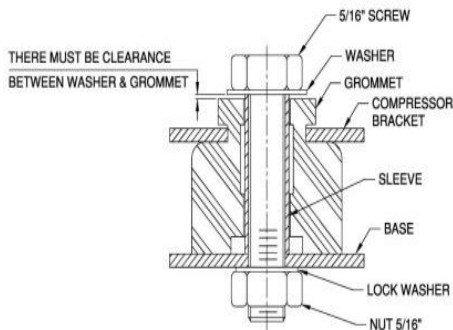
SCHEMATIC WIRING DIAGRAM P.S.C.



Low Torque Start

SCHEMATIC WIRING DIAGRAM -

MOUNTING KIT



Electrical : 220-240 V/50 Hz. 1 Phase

Nominal Performance

Capacity	7,108 / - Watts
	24,252 / - BTU/Hr
	6,112 / - Kcal/Hr
Power Input	2,415 / - Watts
Locked Rotor Amps	66.70 / - Amps
Max Continuous Current	- / - Amps
Rated Load Amps	11.80 / - Amps
COP	2.94 / - Watts / Watts
EER	10.04 / - BTU/W-Hr

Testing Conditions

Condensing Temperature	54.40 °C	129.9 °F
Evaporating Temperature	7.20 / - °C	45.0 / - °F
Liquid Temperature	46.10 °C	115.0 °F
Return Gas Temperature	35.00 °C	95.0 °F
Ambient Temperature	35.00 °C	95.0 °F

Application

Evaporating Temp. Range	HBP, A/C	@ 0.00 °C to 13.00 °C (32.0° F to 55.4° F)
	Heat Pump	-23.30 °C to 13.00 °C (-9.9° F to 55.4° F)
Refrigerant	R22	
Refrigerant Flow Control	Capillary Tube	
Compressor Cooling	Fan	

Compressor and Motor data

Compressor Type	Reciprocating
Displacement	48.40 cc.
Oil Type	Mineral Oil
Oil Charge	964 cc.
Motor Type	P.S.C ; 2 Pole 2,850 / - r/m
Voltage Range	198-264/- Volts 50/- Hz.
Winding Resistance at 25 °C	
Start	3.14 Ohms
Run	0.95 Ohms
Weight with Oil	28.85 Kg.
Weight with Oil and Accessories	29.16 Kg.

Electrical Components

Motor Protector

Type	Internal Overload
Model Number	4042KGE656-8
Open / Close	130-140 / 78-60 °C
1st Cycle trip at 25 °C	51.00 Amps(main) 29.00 Amps(start)

Motor Starter (CSR Only)

Type	Potential Relay
Model Number	-
Pick Up (max.)	- Volts
Drop Out (min.)	- Volts
Terminal Cover	KGM 901-3
Start Capacitor (CSR Only)	- µF - VAC.
Disch Resistor for Start Cap	-
Run Capacitor	35 µF 370/440 VAC.

Mounting Kit

Rubber Grommet	4007KGM905-2
Sleeve Grommet	4023KGM903-2
Washer	-

Since we are constantly improving our product , the specification are subject to change without notice.

REV. DATE
13-10-17

C / N No.
0394/17

Certificate Marks

