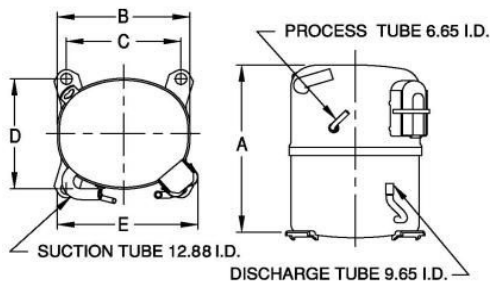


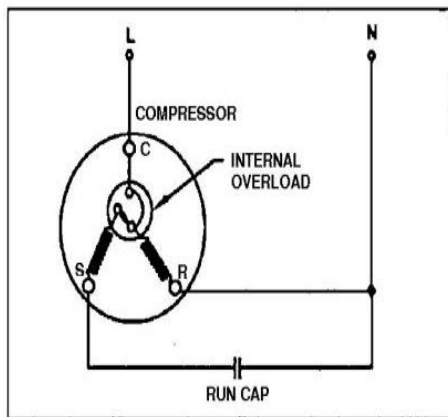


PRINCIPAL DIMENSIONS - mm



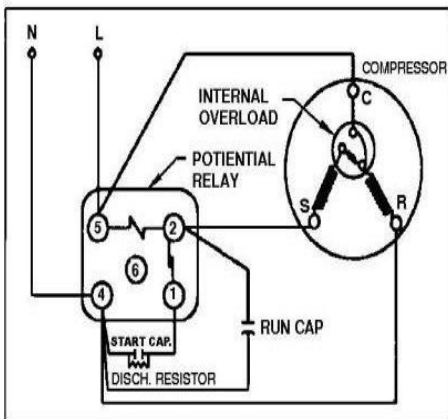
A: 289	B: 223	C: 191	D: 191	E: 239
--------	--------	--------	--------	--------

SCHEMATIC WIRING DIAGRAM P.S.C.



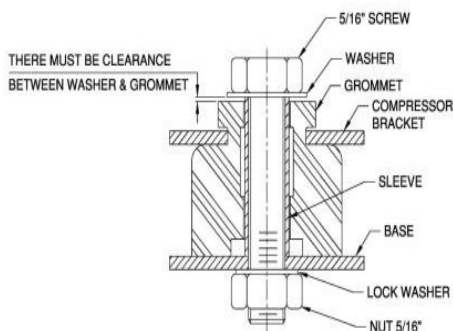
Low Torque Start

SCHEMATIC WIRING DIAGRAM C.S.R.



Option for High Torque Only

MOUNTING KIT



Electrical : 220-240 V/50 Hz. 1 Phase

Nominal Performance

Capacity	4,835 / - Watts
	16,497 / - BTU/Hr
	4,158 / - Kcal/Hr
Power Input	1,688 / - Watts
Locked Rotor Amps	50.48 / - Amps
Max Continuous Current	- / - Amps
Rated Load Amps	8.30 / - Amps
COP	2.86 / - Watts / Watts
EER	9.77 / - BTU/W-Hr

Testing Conditions

Condensing Temperature	54.40 °C	129.9 °F
Evaporating Temperature	7.20 / - °C	45.0 / - °F
Liquid Temperature	46.10 °C	115.0 °F
Return Gas Temperature	35.00 °C	95.0 °F
Ambient Temperature	35.00 °C	95.0 °F

Application

Evaporating Temp. Range	HBP, A/C	@ 0.00 ° C to 13.00 ° C (32.0° F to 55.4° F)
	Heat Pump	-23.30 ° C to 13.00 ° C (-9.9° F to 55.4° F)

Refrigerant	R22
Refrigerant Flow Control	Capillary Tube
Compressor Cooling	Fan

Compressor and Motor data

Compressor Type	Reciprocating
Displacement	35.60 cc.
Oil Type	Mineral Oil
Oil Charge	964 cc.
Motor Type	P.S.C ; 2 Pole 2,850 / - r/m
Voltage Range	198-264/- Volts 50/- Hz.
Winding Resistance at 25 ° C	
Start	4.79 Ohms
Run	1.53 Ohms
Weight with Oil	24.58 Kg.
Weight with Oil and Accessories	25.08 Kg.

Electrical Components

Motor Protector

Type	Internal Overload
Model Number	4042KGE656-1
Open / Close	110-120 / 78-60 ° C
1st Cycle trip at 25 ° C	45.00 Amps(main) 25.00 Amps(start)

Motor Starter (CSR Only)

Type	Potential Relay
Model Number	4043KGE681-12 (RVA4AM6C)
Pick Up (max.)	242.00-272.00 Volts
Drop Out (min.)	60.00-121.00 Volts
Terminal Cover	KGM 901-3
Start Capacitor (CSR Only)	88-106 µF 330 VAC.
Disch Resistor for Start Cap	-
Run Capacitor	30 µF 370/440 VAC.

Mounting Kit

Rubber Grommet	4007KGM905-2
Sleeve Grommet	4023KGM903-2
Washer	-

Since we are constantly improving our product , the specification are subject to change without notice.

REV. DATE
13-10-17

C / N No.
0394/17

Certificate Marks

