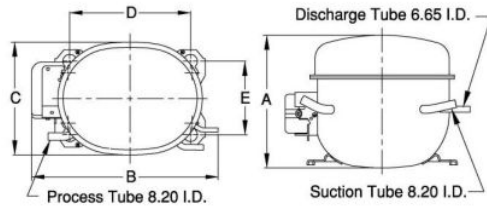


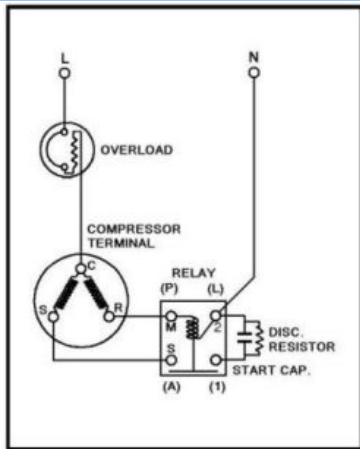


PRINCIPAL DIMENSIONS - mm



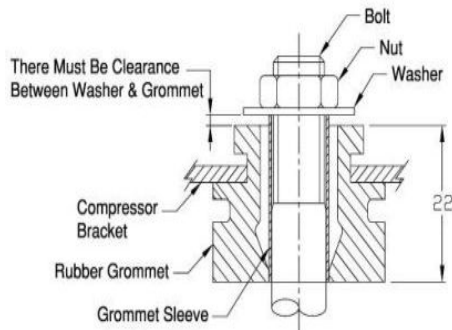
| | | | | |
|--------|--------|--------|--------|--------|
| A: 204 | B: 265 | C: 155 | D: 165 | E: 102 |
|--------|--------|--------|--------|--------|

SCHEMATIC WIRING DIAGRAM C.S.I.R.



SCHEMATIC WIRING DIAGRAM -

MOUNTING KIT



Electrical : 220-240 V/50 Hz. 1 Phase

Nominal Performance

| | |
|------------------------|------------------------|
| Capacity | 1,075 / - Watts |
| | 3,668 / - BTU/Hr |
| | 924 / - Kcal/Hr |
| Power Input | 505 / - Watts |
| Locked Rotor Amps | 14.00 / - Amps |
| Max Continuous Current | - / - Amps |
| Rated Load Amps | 3.10 / - Amps |
| COP | 2.13 / - Watts / Watts |
| EER | 7.26 / - BTU/W-Hr |

Testing Conditions

| | | |
|-------------------------|-------------|-------------|
| Condensing Temperature | 54.40 °C | 129.9 °F |
| Evaporating Temperature | 7.20 / - °C | 45.0 / - °F |
| Liquid Temperature | 46.10 °C | 115.0 °F |
| Return Gas Temperature | 35.00 °C | 95.0 °F |
| Ambient Temperature | 35.00 °C | 95.0 °F |

Application

| | | |
|--------------------------|-----------|--|
| Evaporating Temp. Range | HBP | @ -6.70 ° C to 12.70 ° C (19.9° F to 54.9° F) |
| | Heat Pump | - ° C to - ° C (- ° F to - ° F) |
| Refrigerant | R134a | |
| Refrigerant Flow Control | Capillary | |
| Compressor Cooling | Fan | |

Compressor and Motor data

| | |
|---------------------------------|---------------------------------|
| Compressor Type | Reciprocating |
| Displacement | 12.04 cc. |
| Oil Type | Polyolester Oil |
| Oil Charge | 300 cc. |
| Motor Type | C.S.I.R. ; 2 Pole 2,850 / - r/m |
| Voltage Range | 187-264/- Volts 50/- Hz. |
| Winding Resistance at 25 ° C | |
| Start | 21.61 Ohms |
| Run | 5.20 Ohms |
| Weight with Oil | 10.91 Kg. |
| Weight with Oil and Accessories | 11.36 Kg. |

Electrical Components

| | |
|------------------------------|--------------------------------|
| Motor Protector | |
| Type | External 3/4" |
| Model Number | KME660-8/C |
| Open / Close | 100-110 / 78-60 ° C |
| 1st Cycle trip at 25 ° C | 11.00 Amps(main) - Amps(start) |
| Motor Starter | |
| Type | Current Relay |
| Model Number | KME684-3 |
| Pick Up (max.) | 6.70 Amps |
| Drop Out (min.) | 5.90 Amps |
| Terminal Cover | KMD 901-12 |
| Start Capacitor | 36-43 µF 330 VAC. |
| Disch Resistor for Start Cap | 15000 Ohms 2 W |
| Run Capacitor | - µF - VAC. |

Mounting Kit

| | |
|----------------|--------------|
| Rubber Grommet | 4007KMD905-3 |
| Sleeve Grommet | 3KMD903-2-Z |
| Washer | 4023KEB387 |

Since we are constantly improving our product , the specification are subject to change without notice.

| | |
|-----------|-----------|
| REV. DATE | C / N No. |
| 23-06-15 | 0268/15 |

Certificate Marks

