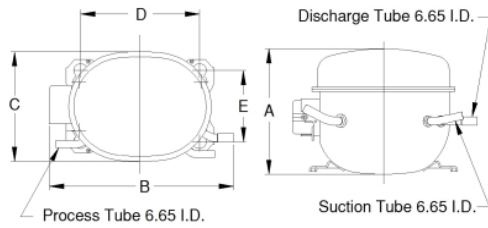


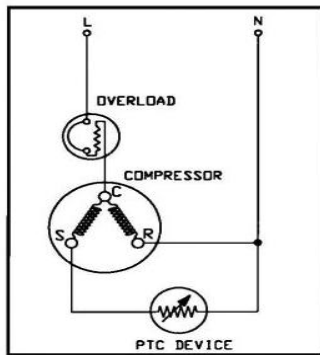


PRINCIPAL DIMENSIONS - mm



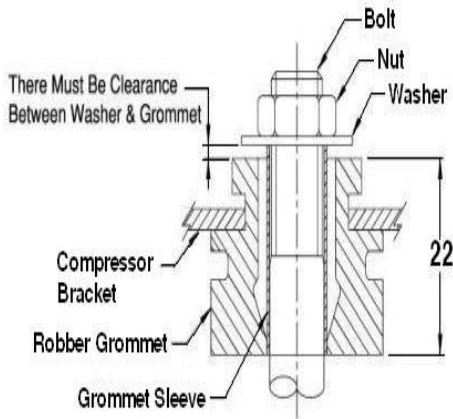
A: 183	B: 265	C: 155	D: 165	E: 102
--------	--------	--------	--------	--------

SCHEMATIC WIRING DIAGRAM R.S.I.R.



SCHEMATIC WIRING DIAGRAM -

MOUNTING KIT



Electrical : 220-240 V/50 Hz. 1 Phase

Nominal Performance

Capacity	186 / - Watts
	635 / - BTU/Hr
	160 / - Kcal/Hr
Power Input	160 / - Watts
Locked Rotor Amps	13.00 / - Amps
Max Continuous Current	- / - Amps
Rated Load Amps	1.20 / - Amps
COP	1.16 / - Watts / Watts
EER	3.97 / - BTU/W-Hr

Testing Conditions

Condensing Temperature	54.40 °C	129.9 °F
Evaporating Temperature	-23.30 / - °C	-9.9 / - °F
Liquid Temperature	32.20 °C	90.0 °F
Return Gas Temperature	32.20 °C	90.0 °F
Ambient Temperature	32.20 °C	90.0 °F

Application

Evaporating Temp. Range	LBP	@ -34.40 °C to -12.20 °C (-29.9° F to 10.0° F)
	Heat Pump	- °C to - °C (-° F to -° F)
Refrigerant	R134a	
Refrigerant Flow Control	Capillary Tube	
Compressor Cooling	Natural Convection	

Compressor and Motor data

Compressor Type	Reciprocating
Displacement	8.10 cc.
Oil Type	Polyolester Oil
Oil Charge	300 cc.
Motor Type	R.S.I.R. ; 2 Pole 2,850 / - r/m
Voltage Range	187 - 264/- Volts 50/- Hz.
Winding Resistance at 25 °C	
Start	29.83 Ohms
Run	9.18 Ohms
Weight with Oil	9.01 Kg.
Weight with Oil and Accessories	9.21 Kg.

Electrical Components

Motor Protector	
Type	External 3/4"
Model Number	KME660-7/C
Open / Close	90-100 / 70-52 °C
1st Cycle trip at 25 °C	10.20 Amps(main) - Amps(start)
Motor Starter	
Type	PTC Relay
Model Number	4043KME690-20
Pick Up (max.)	- Volts
Drop Out (min.)	- Volts
Terminal Cover	KMD 901-5
Start Capacitor	- µF - VAC.
Disch Resistor for Start Cap	-
Run Capacitor	- µF - VAC.

Mounting Kit

Rubber Grommet	4007KMD905-3
Sleeve Grommet	3KMD903-2-Z
Washer	4023KEB387

Since we are constantly improving our product , the specification are subject to change without notice.

REV. DATE	C / N No.
10-02-17	0067/17

Certificate Marks

