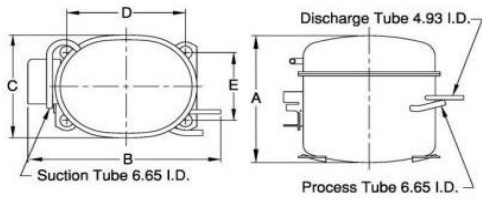


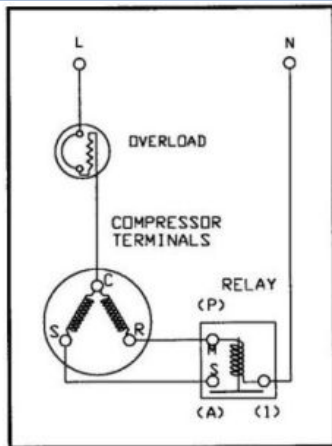


**PRINCIPAL DIMENSIONS - mm**



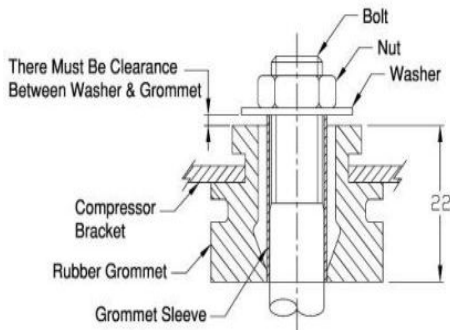
A: 181	B: 277	C: 155	D: 165	E: 102
--------	--------	--------	--------	--------

**SCHEMATIC WIRING DIAGRAM R.S.I.R.**



**SCHEMATIC WIRING DIAGRAM -**

**MOUNTING KIT**



Electrical : 220-240 V/50 Hz. 1 Phase

**Nominal Performance**

Capacity	160 / - Watts
	546 / - BTU/Hr
	138 / - Kcal/Hr
Power Input	140 / - Watts
Locked Rotor Amps	10.00 / - Amps
Max Continuous Current	- / - Amps
Rated Load Amps	1.00 / - Amps
COP	1.14 / - Watts / Watts
EER	3.90 / - BTU/W-Hr

**Testing Conditions**

Condensing Temperature	54.40 °C	129.9 °F
Evaporating Temperature	-23.30 / - °C	-9.9 / - °F
Liquid Temperature	32.20 °C	90.0 °F
Return Gas Temperature	32.20 °C	90.0 °F
Ambient Temperature	32.20 °C	90.0 °F

**Application**

Evaporating Temp. Range	LBP	@ -34.40 °C to -12.20 °C (-29.9° F to 10.0° F)
	Heat Pump	- °C to - °C (-° F to -° F)
Refrigerant	R134a	
Refrigerant Flow Control	Capillary Tube	
Compressor Cooling	Natural Convection	

**Compressor and Motor data**

Compressor Type	Reciprocating
Displacement	6.92 cc.
Oil Type	Polyolester Oil
Oil Charge	350 cc.
Motor Type	R.S.I.R. ; 2 Pole 2,850 / - r/m
Voltage Range	187-264/- Volts 50/- Hz.
Winding Resistance at 25 ° C	
Start	29.00 Ohms
Run	13.40 Ohms
Weight with Oil	8.70 Kg.
Weight with Oil and Accessories	8.90 Kg.

**Electrical Components**

<b>Motor Protector</b>	
Type	External 3/4"
Model Number	KME660-7/C
Open / Close	90-100 / 70-52 ° C
1st Cycle trip at 25 ° C	10.20 Amps(main) - Amps(start)
<b>Motor Starter</b>	
Type	Current Relay
Model Number	KME681-17
Pick Up (max.)	3.75 Amps
Drop Out (min.)	3.30 Amps
Terminal Cover	KMD 901-5
Start Capacitor	- µF - VAC.
Disch Resistor for Start Cap	-
Run Capacitor	- µF - VAC.

**Mounting Kit**

Rubber Grommet	4007KMD905-3
Sleeve Grommet	3KMD903-2-Z
Washer	4023KEB387

Since we are constantly improving our product , the specification are subject to change without notice.

REV. DATE	C / N No.
18-11-17	0449/17

**Certificate Marks**

