

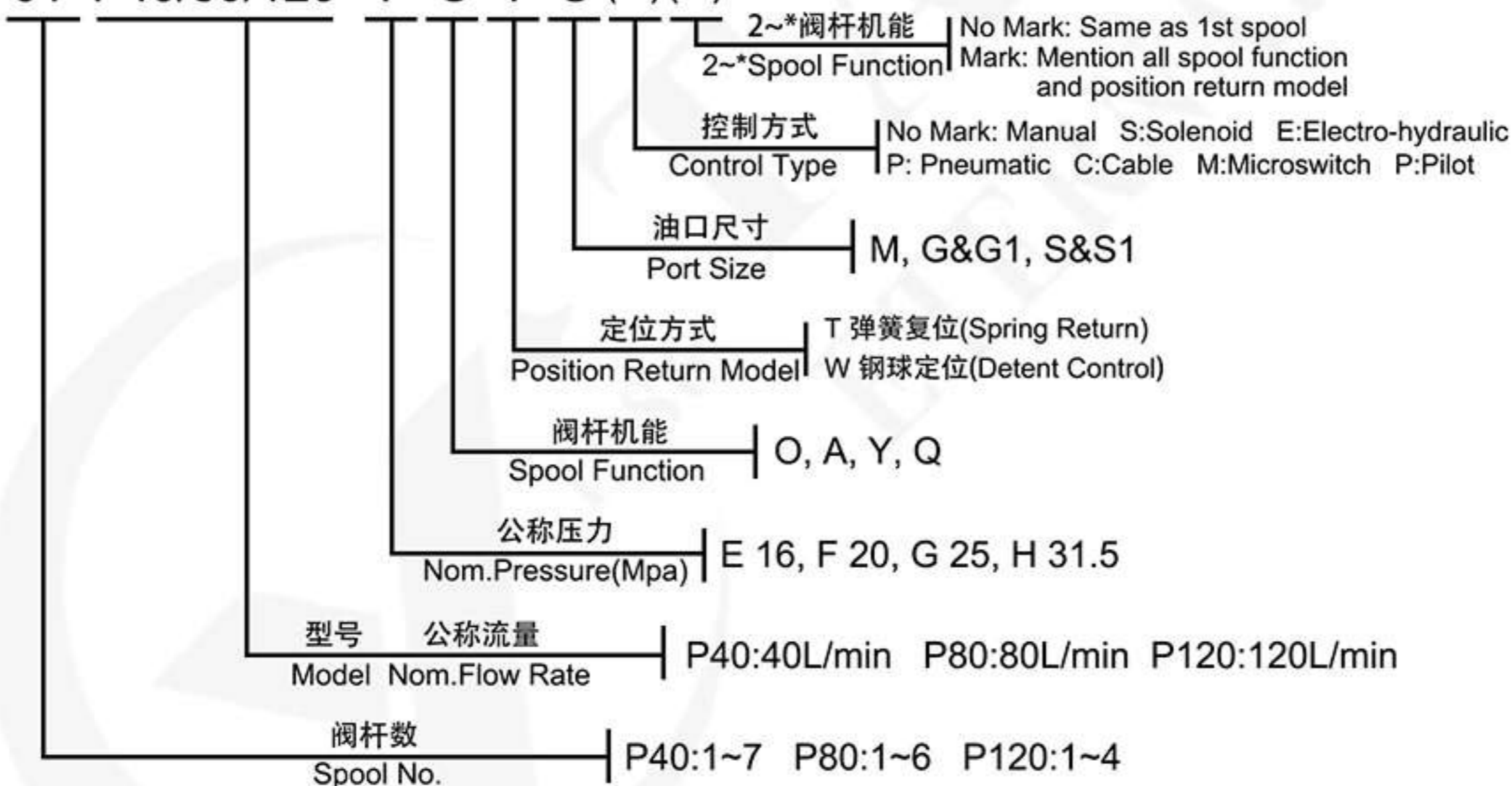


■ 特点 Feature

- Inner check valve: The check valve inside the valve body is to insure the hydraulic oil not to be returned.
- Inner relief valve: The relief valve inside the valve body is able to adjust the hydraulic system working pressure.
- Oil way: Parallel circuit, power beyond option.
- Control Way: Manual control, pneumatic control, hydraulic and electric control for optional.
- Valve construction: monoblock construction.
- Spool Function: O, Y, P, A.
- Option: Hydraulic lock is available to be added on A and B port.
- Available with manual, pneumatic control, electric and pneumatic control, hydraulic and electric control and etc.

■ 型号说明 Model Code

01 P40/80/120 - F O T G (**)(**)



■ 机能符号

Spool Function Symbols

O Spool Function



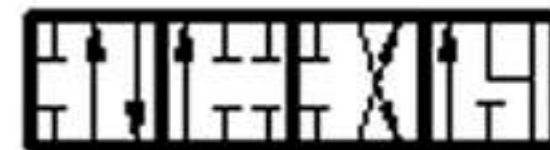
Y Spool Function



A Spool Function



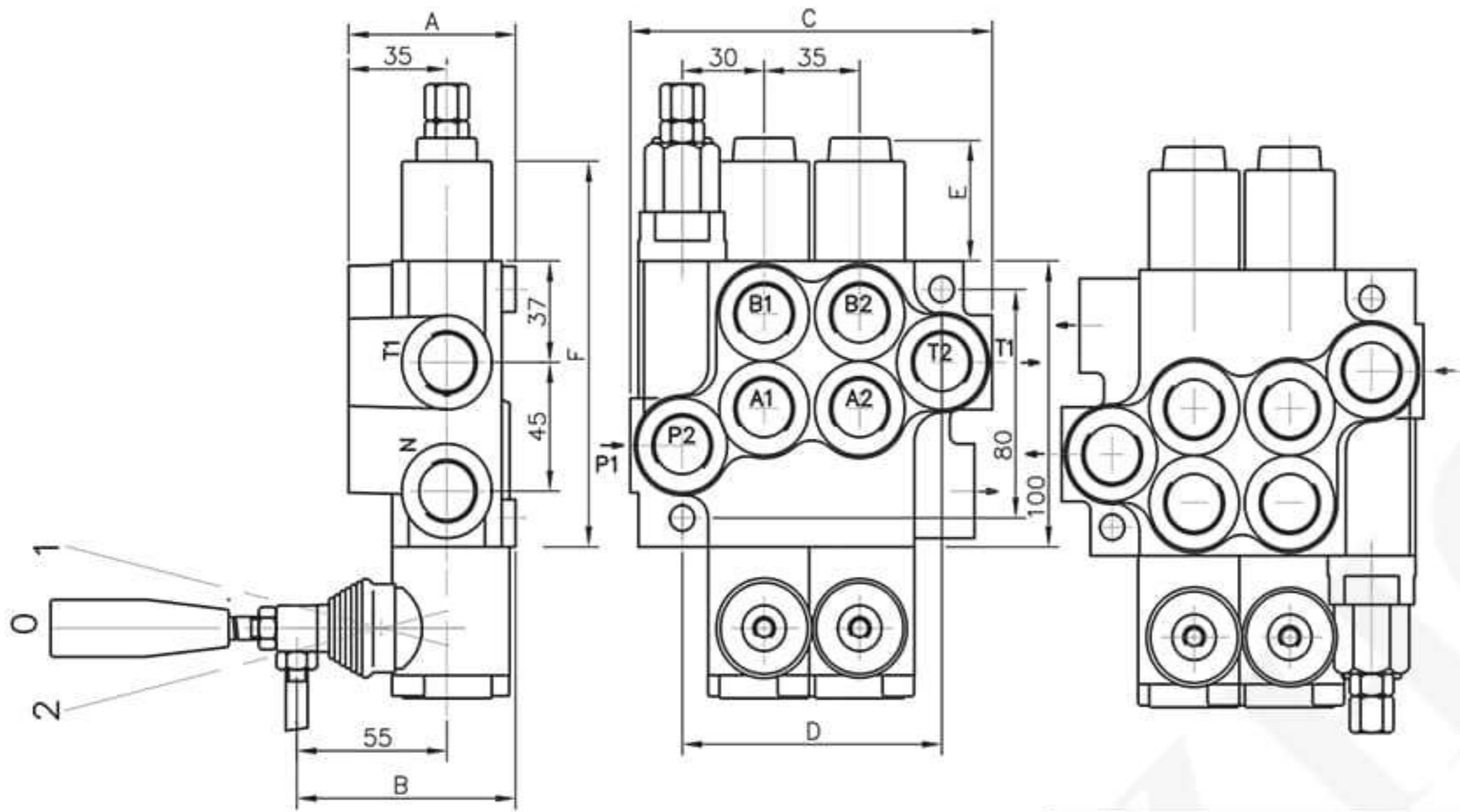
Q Spool Function



■ 技术参数 Technical Date

公称压力 (MPa) Nom. Pressure	最大压力 (MPa) Max. Pressure	公称流量 (L/min) Nom. Flow rate	最大流量 (L/min) Max. Flow rate	中位背压 (MPa) Back Pressure	工作油液hydraulic oil		
					温度范围 (℃) Tem.rang	粘度范围 (mm ² /S) Visc.rang	过滤精度 (μm) filtrating accuracy
20	31.5	40/80/120	40/80/120	≤1	-20 ~ +80	10 ~ 400	≤10

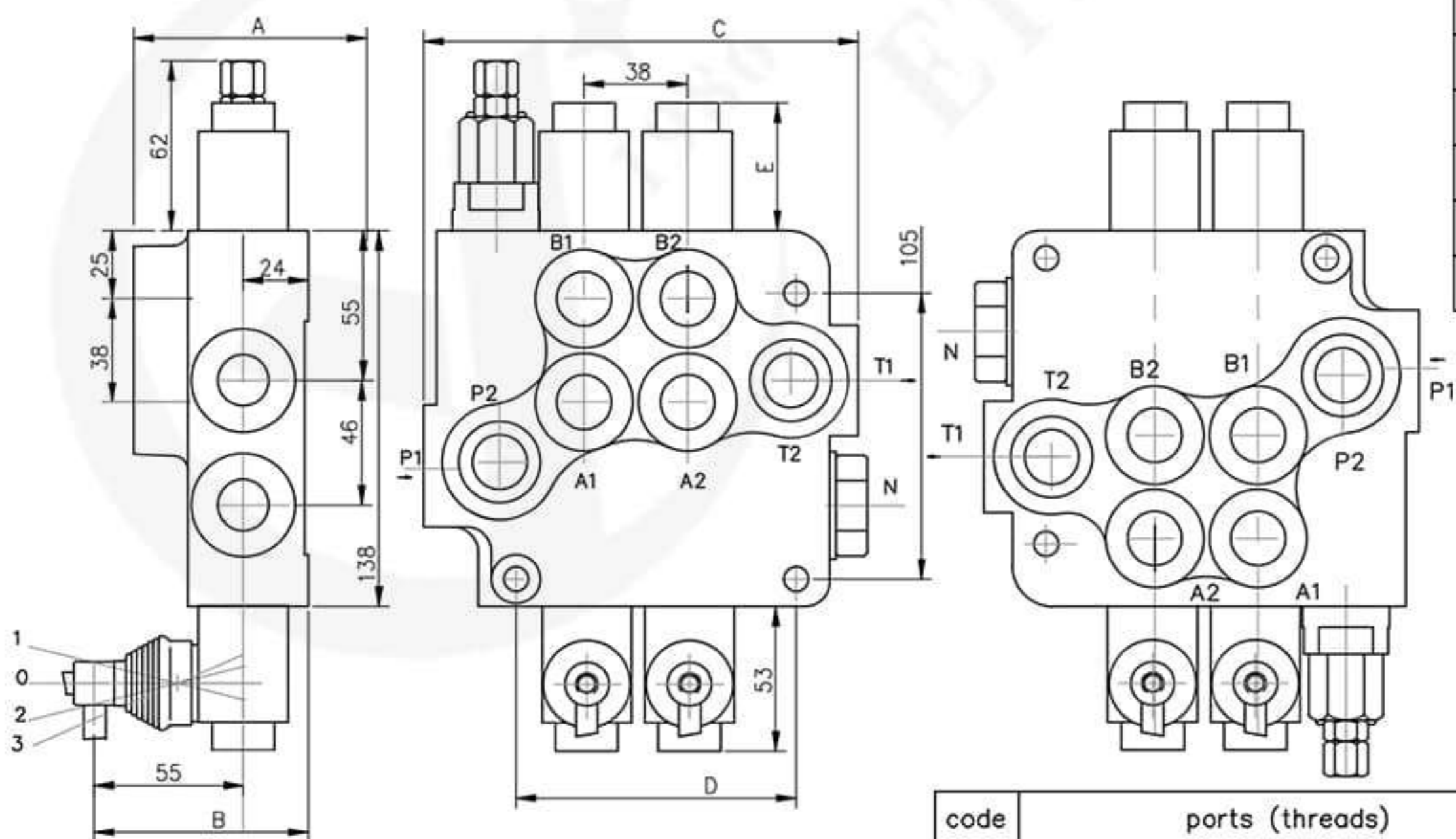
■ P40外形安装连接尺寸 Model P40 Dimensional Date



	A	B	C	D
01P40	60	80	85	60
02P40	60	80	129	97
03P40	60	80	164	132
04P40	60	80	199	167
05P40	60	80	234	202
06P40	60	80	269	237
07P40	60	80	304	272
08P40	60	80	339	307

code	Ports (threads)			
	P	A ; B	T	N
M	M18x1.5	M18x1.5	M18x1.5	M18x1.5
G	G1/2	G3/8	G1/2	G1/2
G1	G1/2	G1/2	G1/2	G1/2
S	7/8-14UNF	3/4-16UNF	7/8-14UNF	7/8-14UNF
S1	7/8-14UNF	7/8-14UNF	7/8-14UNF	7/8-14UNF

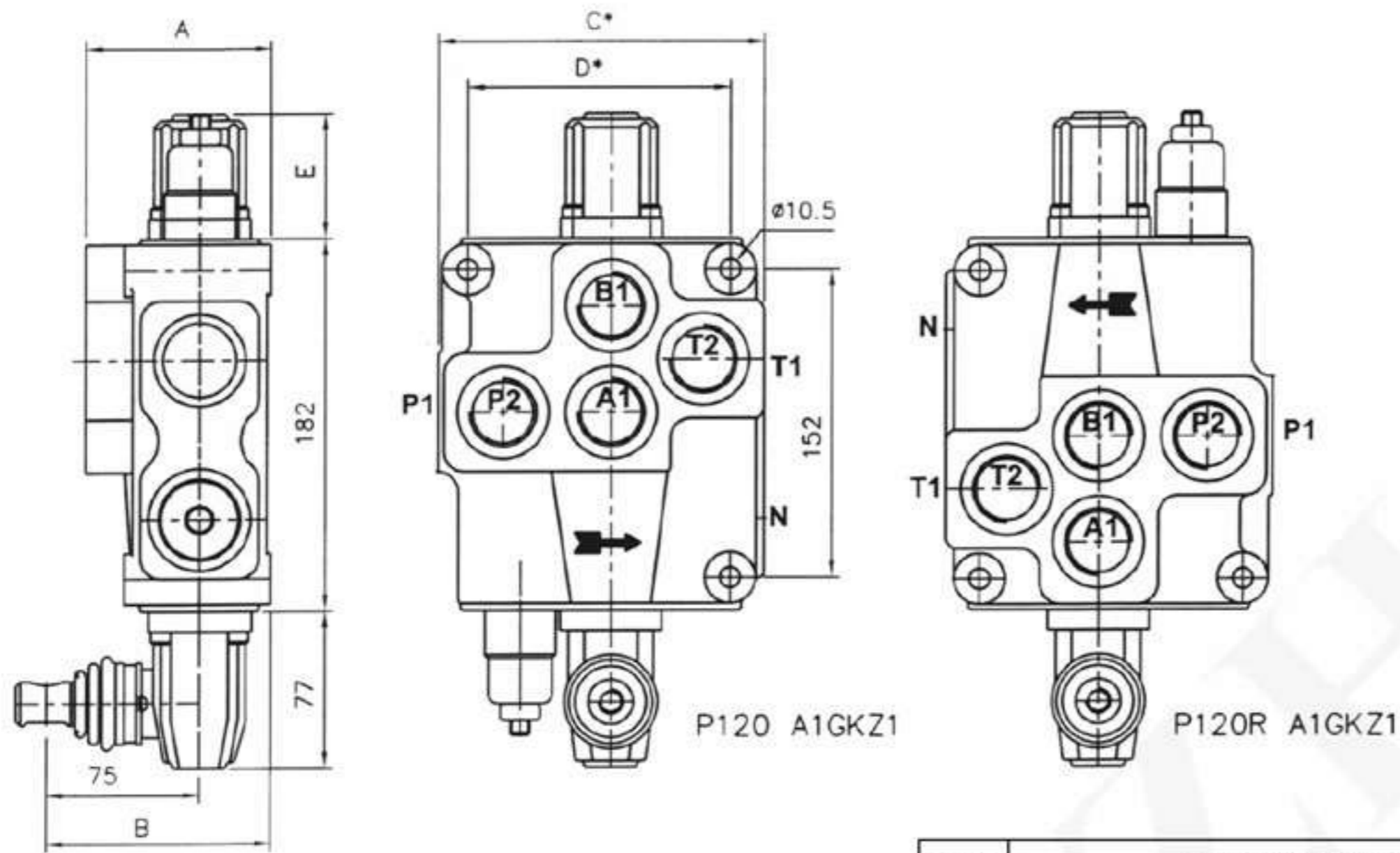
■ P80外形安装连接尺寸 Model P80 Dimensional Date



	A	B	C	D
1P80	65	79	107	65
2P80	80	94	160	103
3P80	80	94	198	141
4P80	80	94	236	179
5P80	80	94	274	217
6P80	80	94	312	255

code	ports (threads)			
	P	A ; B	T	N
M	M22x1.5	M22x1.5	M22x1.5	M27x2
G	G1/2	G1/2	G3/4	G3/4
G1	G3/4	G1/2	G3/4	G3/4
S	7/8-14UNF	7/8-14UNF	1 1/16-14UNF	1 1/16-14UNF
S1	1 1/16-12UNF	1 1/16-12UNF	1 1/16-12UNF	1 1/16-12UNF

■ P120外形安装连接尺寸 Model P120 Dimensional Date



	A	B	C	D
1P120	90	110	212	182
2P120	90	110	267	235
3P120	90	110	320	288
4P120	90	110	373	341

code	ports (threads)			
	P	A ; B	T	N
M	M33x2	M33x2	M33x2	M33x2
G	G3/4	G3/4	G3/4	G1
G1	G1	G1	G1	G1
S	1 1/16-12UNF	1 1/16-12UNF	1 1/16-12UNF	1 5/16-14UNF
S1	1 5/16-12UNF	1 1/16-12UNF	1 1/16-12UNF	1 1/16-12UNF



Z50/Z80 Series



SD14



SDM141



R5200



ZD-L10



ZD-L102



BDL-L40



ZT-L12/XZT-L12



ZXT-L12 Electric and
Pneumatic SControl Valve



ZXT-L12 Electric-Hydraulic
Directional Control Valve



ZD-L15



ZD-L15 Electric and
Pneumatic Control Valve



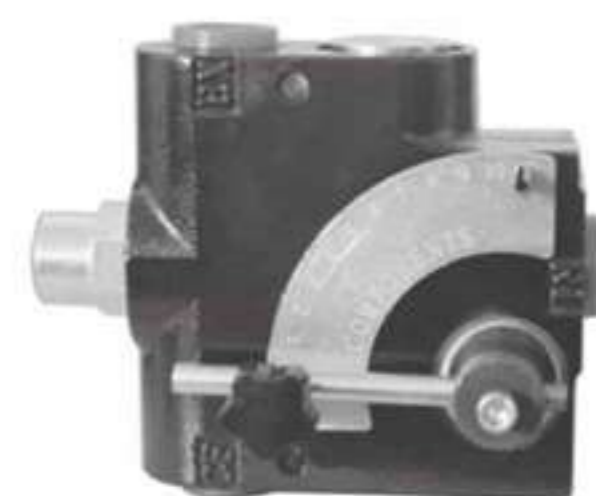
ZDa-L15



ZT-L20



ZP80



LKF-60 Pressure Compensating
Flow Control Valve



ZY08



BDL-L100



Log Splitter Valve



Log Splitter Pump



SD8



SDS180



SD25



SDS400



DCV Series



ZS1-L10/L15/L20



ZS3-L10/L15/L20



ZS4-L25



DL-L15/SQDL-L15



YDL-L15



DL-L20/SQDL-L20



YDL-L20



DL-F25/YDL-L25



DL-8



DF-50



CDB-F15/ZCDB-F15
CDB-F20/ZCDB-F20