



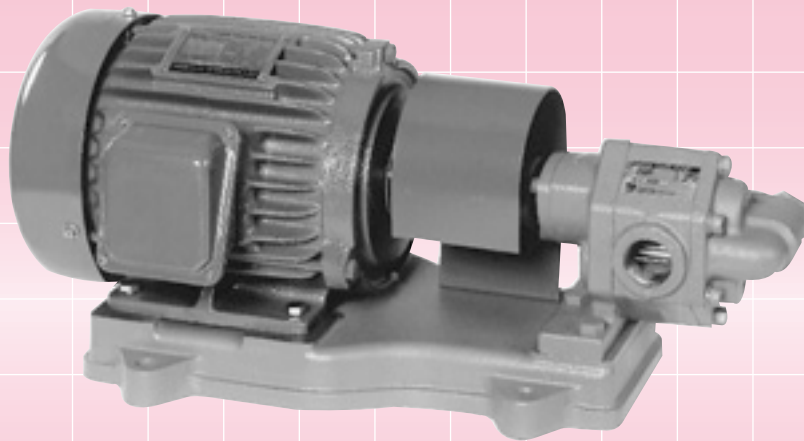
EBARA

CF4101UE

EBARA GEAR PUMPS

Model GPE, GPF

"Model 000" in this catalogue is our model code.



MODEL GPE GPF

EBARA GEAR PUMPS

《Model GPE》 Gland Packing Type

Max. discharge pressure
0.3MPa

Standard Specifications

| Model | | GPE |
|-----------------------|-------------|-------------------------------------|
| Item | Liquid Type | A.B.C. Heavy Oil, Turbine Oil |
| | Temperature | 0-70°C |
| | Viscosity | 7-500mm ² /s {cSt} |
| Suction Head | | -0.03MPa {-0.3kgf/cm ² } |
| Max. Suction Pressure | | 0.1MPa {1kgf/cm ² } |
| Construction | Seal | Gland Packing |
| | Bearing | Needle Type Roller Bearing |
| Connection | | Screw Type |
| Material | Casing | Cast Iron {FC200} |
| | Gear | Carbon Steel {S45C} |
| | Shaft | Carbon Steel {S45C} |

Standard Accessories

Safety valve (Installed in pump) ...1
Common base1
Coupling1
Coupling guard1

Technical Data

50Hz

(Motor Synchronous Speed:1500min⁻¹
Capacity is the case of turbine oil 60mm²/s {cSt} use.)

| Size | Connection | Type | Pole | Output (kW) | Max. Discharge Pressure (MPa) {kgf/cm ² } | Capacity (L/min.) |
|------|------------|-------|------|-------------|--|-------------------|
| 12 | Rc-3/8 | 12GPE | 4 | 0.2 | 0.3 {3} | 6 |
| 15 | Rc-1/2 | 15GPE | 4 | 0.4 | 0.3 {3} | 10 |
| 20 | Rc-3/4 | 20GPE | 4 | 0.4 | 0.3 {3} | 20 |
| 25 | Rc-1 | 25GPE | 4 | 0.75 | 0.3 {3} | 40 |

Technical Data

60Hz

(Motor Synchronous Speed:1800min⁻¹
Capacity is the case of turbine oil 60mm²/s {cSt} use.)

| Size | Connection | Type | Pole | Output (kW) | Max. Discharge Pressure (MPa) {kgf/cm ² } | Capacity (L/min.) |
|------|------------|-------|------|-------------|--|-------------------|
| 12 | Rc-3/8 | 12GPE | 4 | 0.2 | 0.3 {3} | 7 |
| 15 | Rc-1/2 | 15GPE | 4 | 0.4 | 0.3 {3} | 12 |
| 20 | Rc-3/4 | 20GPE | 4 | 0.4 | 0.3 {3} | 24 |
| 25 | Rc-1 | 25GPE | 4 | 0.75 | 0.3 {3} | 48 |

《Model GPF》 Mechanical Seal Type

Max discharge pressure
1.0MPa

Standard Specifications

| Model | | GPF |
|-----------------------|-------------|-------------------------------------|
| Item | Liquid Type | A.B.C. Heavy Oil, Turbine Oil |
| | Temperature | 0-80°C |
| | Viscosity | 5-500mm ² /s {cSt} |
| Suction Head | | -0.05MPa {-0.5kgf/cm ² } |
| Max. Suction Pressure | | 0.1MPa {1kgf/cm ² } |
| Construction | Seal | Mechanical Seal |
| | Bearing | Needle Type Roller Bearing |
| Connection | | Screw Type |
| Material | Casing | Cast Iron {FC200} |
| | Gear | Carbon Steel {S45C} |
| | Shaft | Carbon Steel {S45C} |

Standard Accessories

Safety valve (Installed in pump) ...1
Common base1
Coupling1
Coupling guard1

Technical Data

50Hz

(Motor Synchronous Speed:1500min⁻¹
Capacity is the case of turbine oil 60mm²/s {cSt} use.)

| Size | Connection | Type | Pole | Output (kW) | Max. Discharge Pressure (MPa) {kgf/cm ² } | Capacity (L/min.) |
|------|------------|-------|------|-------------|--|-------------------|
| 12 | Rc-3/8 | 12GPF | 4 | 0.2 | 0.4 {4} | 8.5 |
| | | | | 0.4 | 1.0 {10} | 8.5 |
| 15 | Rc-1/2 | 15GPF | 4 | 0.4 | 0.4 {4} | 17 |
| | | | | 0.75 | 1.0 {10} | 17 |
| 20 | Rc-3/4 | 20GPF | 4 | 0.75 | 0.4 {4} | 31 |
| | | | | 1.5 | 1.0 {10} | 31 |
| 25 | Rc-1 | 25GPF | 4 | 1.5 | 0.6 {6} | 54 |
| | | | | 2.2 | 1.0 {10} | 54 |
| 32 | Rc-1 1/4 | 32GPF | 4 | 2.2 | 0.4 {4} | 75 |
| | | | | 3.7 | 1.0 {10} | 75 |
| 40 | Rc-1 1/2 | 40GPF | 4 | 2.2 | 0.6 {6} | 105 |
| | | | | 3.7 | 1.0 {10} | 105 |

Technical Data

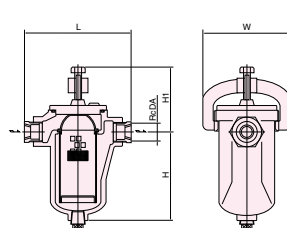
60Hz

(Motor Synchronous Speed:1800min⁻¹
Capacity is the case of turbine oil 60mm²/s {cSt} use.)

| Size | Connection | Type | Pole | Output (kW) | Max. Discharge Pressure (MPa) {kgf/cm ² } | Capacity (L/min.) |
|------|------------|-------|------|-------------|--|-------------------|
| 12 | Rc-3/8 | 12GPF | 4 | 0.2 | 0.4 {4} | 10 |
| | | | | 0.4 | 1.0 {10} | 10 |
| 15 | Rc-1/2 | 15GPF | 4 | 0.4 | 0.4 {4} | 21 |
| | | | | 0.75 | 1.0 {10} | 21 |
| 20 | Rc-3/4 | 20GPF | 4 | 0.75 | 0.4 {4} | 37 |
| | | | | 1.5 | 1.0 {10} | 37 |
| 25 | Rc-1 | 25GPF | 4 | 1.5 | 0.6 {6} | 65 |
| | | | | 2.2 | 1.0 {10} | 65 |
| 32 | Rc-1 1/4 | 32GPF | 4 | 2.2 | 0.4 {4} | 90 |
| | | | | 3.7 | 1.0 {10} | 90 |
| 40 | Rc-1 1/2 | 40GPF | 4 | 3.7 | 0.4 {4} | 125 |
| | | | | 5.5 | 1.0 {10} | 125 |

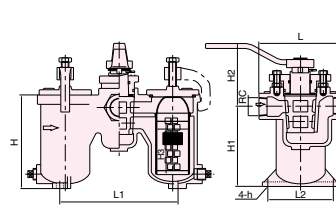
Suction Strainer (Special Accessories)

• Model 12-40STU (Single Type)



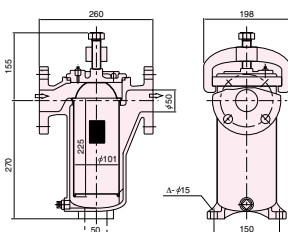
| Type | Body | | | | | Filter Tube | | Mass (kg) |
|-------|-------|-----|-----|-----|-----|-------------|-----|-----------|
| | Rc | H | H1 | L | W | D1 | H2 | |
| STU12 | 3/8 | 85 | 90 | 146 | 120 | 40 | 60 | 3 |
| STU15 | 1/2 | 85 | 90 | 120 | 120 | 40 | 60 | 3 |
| STU20 | 3/4 | 135 | 105 | 183 | 140 | 60 | 110 | 4 |
| STU25 | 1 | 135 | 105 | 150 | 140 | 60 | 110 | 4 |
| STU32 | 1 1/4 | 200 | 140 | 248 | 180 | 87 | 170 | 10 |
| STU40 | 1 1/2 | 200 | 140 | 210 | 180 | 87 | 170 | 10 |

• Model 12-40STW (Duplex Type)

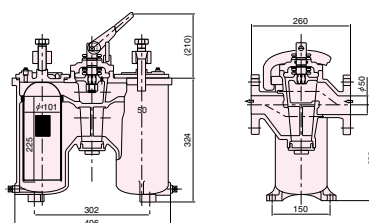


| Type | Body | | | | | Fitting | | | Filter Tube | | Mass (kg) |
|-------|-------|-----|-----|-----|-----|---------|-----|----|-------------|-----|-----------|
| | Rc | H | H1 | L | W | L1 | L2 | h | D1 | H2 | |
| STW12 | 3/8 | 115 | 92 | 115 | 146 | 125 | 90 | 12 | 40 | 60 | 7 |
| STW15 | 1/2 | 115 | 92 | 115 | 120 | 125 | 90 | 12 | 40 | 60 | 7 |
| STW20 | 3/4 | 170 | 145 | 120 | 183 | 215 | 120 | 12 | 60 | 110 | 15 |
| STW25 | 1 | 170 | 145 | 120 | 150 | 215 | 120 | 12 | 60 | 110 | 15 |
| STW32 | 1 1/4 | 225 | 195 | 150 | 175 | 250 | 120 | 15 | 70 | 150 | 21 |
| STW40 | 1 1/2 | 250 | 220 | 150 | 210 | 265 | 130 | 15 | 87 | 170 | 30 |

• Model STU-50 (Single Type) Frange:JIS 10K Mass:30kg



• Model STW-50 (Duplex Type) Frange:JIS 10K Mass:48kg



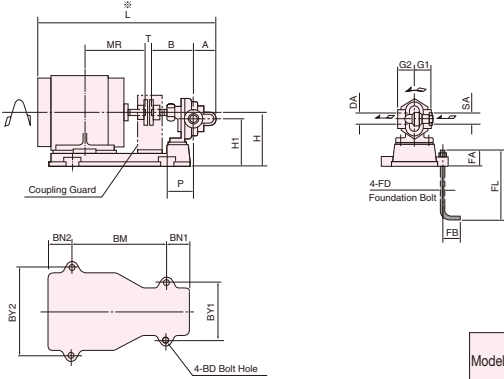
● Specification

- Gauge Roughness:60 mesh
- Effective Filtration Area: More than 8 times of strainer size
- Hydro Test Press of Case: 0.6MPa {6.2kgf/cm²}
- Max Allowable Normal Press: 0.3MPa {3kgf/cm²}

MODEL GPE GPF

EBARA GEAR PUMPS

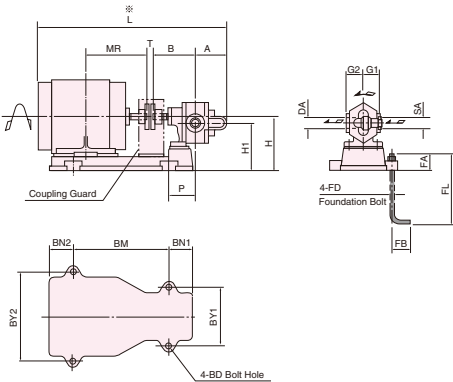
Dimension (Model GPE)



| Model | Type | Output (kW) | Pole | Connection (SA, DA) | Pump and Motor | | | | | | | | | | | | | | | | | Mass (kg) | | | |
|-------|-------|-------------|------|---------------------|----------------|-----|-----|------|----|----|-----|-----|----|----|-----|-----|-----|-----|-----|----|-----|-----------|----|----|----|
| | | | | | A | B | H | H1 | P | T | MR | L | G1 | G2 | BM | BN1 | BN2 | BY1 | BY2 | BD | FD | | FL | FA | FB |
| GPE | 12GPE | 0.2 | 4 | Rc-3/8 | 50 | 90 | 103 | 90.5 | 64 | 15 | 103 | 367 | 40 | 40 | 160 | 60 | 60 | 138 | 180 | 12 | M10 | 200 | 40 | 40 | 12 |
| | 15GPE | 0.4 | 4 | Rc-1/2 | 50 | 100 | 111 | 96 | 65 | 15 | 120 | 416 | 40 | 40 | 180 | 60 | 60 | 138 | 194 | 12 | M10 | 200 | 40 | 40 | 20 |
| | 20GPE | 0.4 | 4 | Rc-3/4 | 55 | 105 | 111 | 96 | 70 | 15 | 120 | 426 | 40 | 40 | 180 | 60 | 60 | 138 | 194 | 12 | M10 | 200 | 40 | 40 | 20 |
| | 25GPE | 0.75 | 4 | Rc-1 | 65 | 117 | 135 | 115 | 70 | 15 | 140 | 480 | 50 | 50 | 220 | 60 | 60 | 168 | 214 | 12 | M10 | 200 | 40 | 40 | 25 |

Unit:mm

Dimension (Model GPF)

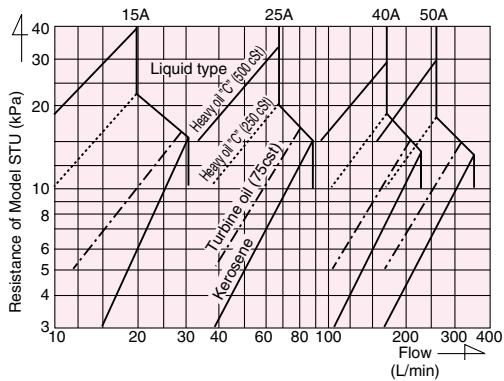


| Model | Type | Output (kW) | Pole | Connection (SA, DA) | Pump and Motor | | | | | | | | | | | | | | | | | Mass (kg) | | | |
|-------|-------|-------------|----------|---------------------|----------------|-----|-----|-----|-----|-----|-------|-----|----|-----|-----|-----|-----|-----|-----|-----|-----|-----------|----|----|----|
| | | | | | A | B | H | H1 | P | T | MR | L | G1 | G2 | BM | BN1 | BN2 | BY1 | BY2 | BD | FD | | FL | FA | FB |
| GPF | 12GPF | 0.2 | 4 | Rc-3/8 | 60 | 98 | 111 | 96 | 63 | 15 | 103 | 385 | 40 | 40 | 160 | 60 | 60 | 138 | 180 | 12 | M10 | 200 | 40 | 40 | 14 |
| | | 0.4 | 4 | Rc-3/8 | 60 | 98 | 111 | 96 | 63 | 15 | 120 | 424 | 40 | 40 | 180 | 60 | 60 | 138 | 194 | 12 | M10 | 200 | 40 | 40 | 21 |
| | 15GPF | 0.4 | 4 | Rc-1/2 | 65 | 103 | 111 | 96 | 68 | 15 | 120 | 434 | 40 | 40 | 180 | 60 | 60 | 138 | 194 | 12 | M10 | 200 | 40 | 40 | 21 |
| | | 0.75 | 4 | Rc-1/2 | 65 | 103 | 125 | 110 | 68 | 15 | 140 | 466 | 40 | 40 | 210 | 60 | 60 | 138 | 214 | 12 | M10 | 200 | 40 | 40 | 24 |
| | 20GPF | 0.75 | 4 | Rc-3/4 | 81 | 112 | 135 | 115 | 65 | 15 | 140 | 491 | 50 | 50 | 220 | 60 | 60 | 168 | 214 | 12 | M10 | 200 | 40 | 40 | 27 |
| | | 1.5 | 4 | Rc-3/4 | 81 | 112 | 135 | 115 | 65 | 15 | 168.5 | 541 | 50 | 50 | 260 | 60 | 60 | 168 | 232 | 12 | M10 | 200 | 40 | 40 | 37 |
| | 25GPF | 1.5 | 4 | Rc-1 | 89 | 120 | 135 | 115 | 73 | 15 | 168.5 | 557 | 50 | 50 | 260 | 60 | 60 | 168 | 232 | 12 | M10 | 200 | 40 | 40 | 38 |
| | | 2.2 | 4 | Rc-1 | 89 | 120 | 145 | 125 | 83 | 15 | 193 | 599 | 50 | 50 | 270 | 70 | 80 | 168 | 264 | 12 | M10 | 200 | 40 | 40 | 47 |
| | 32GPF | 2.2 | 4 | Rc-1 1/4 | 102 | 156 | 170 | 145 | 95 | 15 | 193 | 648 | 60 | 60 | 280 | 80 | 90 | 194 | 264 | 12 | M10 | 200 | 40 | 40 | 52 |
| | | 3.7 | 4 | Rc-1 1/4 | 102 | 156 | 170 | 145 | 95 | 15 | 200 | 665 | 60 | 60 | 300 | 80 | 80 | 194 | 290 | 12 | M10 | 200 | 40 | 40 | 62 |
| | 40GPF | 2.2 | 4 | Rc-1 1/2 | 108 | 162 | 170 | 145 | 101 | 15 | 193 | 660 | 60 | 60 | 280 | 80 | 90 | 194 | 264 | 12 | M10 | 200 | 40 | 40 | 53 |
| | | 3.7 | 4 | Rc-1 1/2 | 108 | 162 | 170 | 145 | 101 | 15 | 200 | 677 | 60 | 60 | 300 | 80 | 80 | 194 | 290 | 12 | M10 | 200 | 40 | 40 | 63 |
| 5.5 | | 4 | Rc-1 1/2 | 108 | 162 | 187 | 162 | 111 | 3 | 239 | 727 | 60 | 60 | 310 | 90 | 90 | 194 | 320 | 12 | M10 | 200 | 40 | 40 | 89 | |

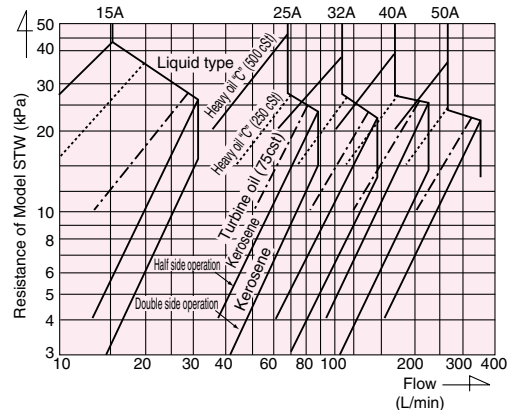
Unit:mm

Strainer Resistance Curve

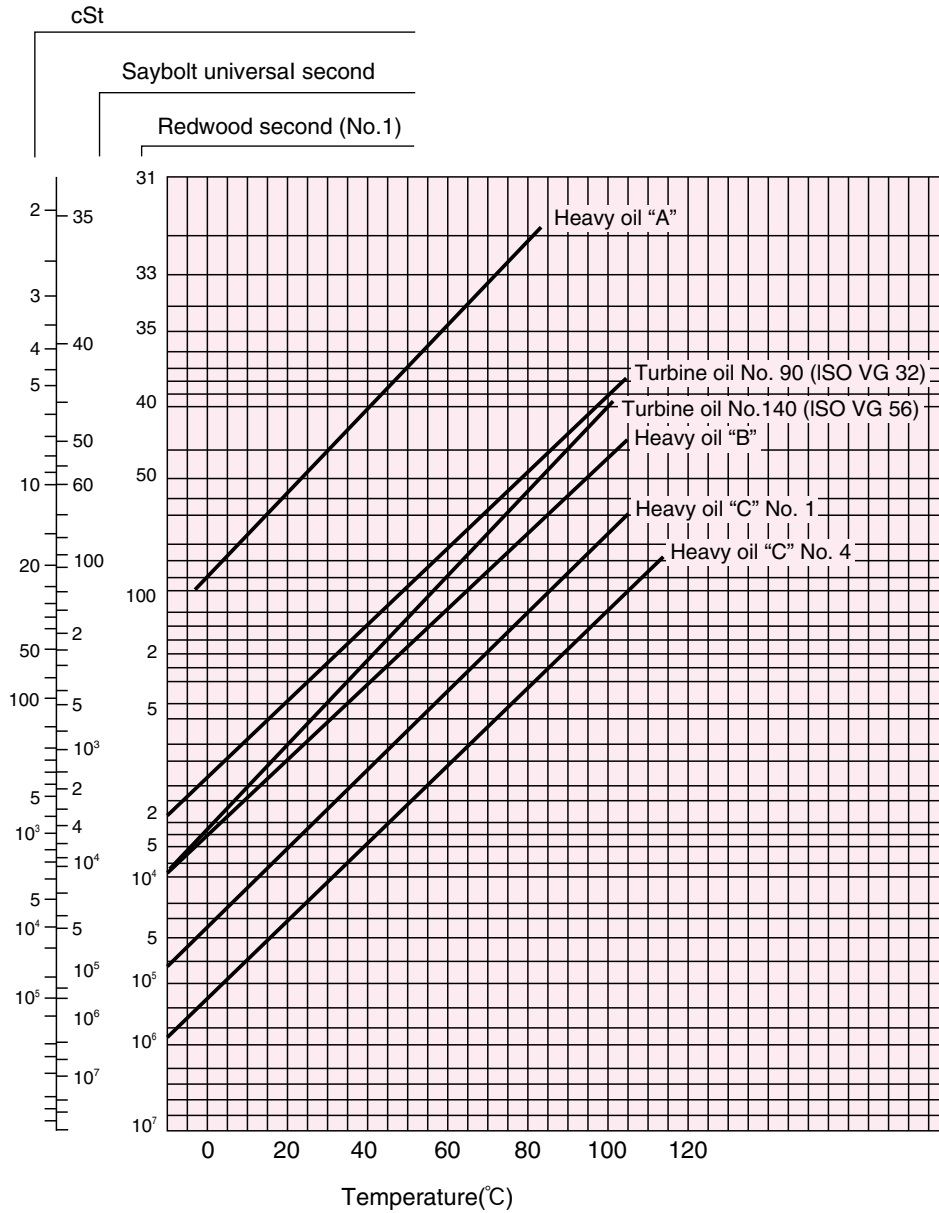
Model STU



Model STW



■ Viscosity Chart of Oil (Sample)



"Model ○○○" in this catalogue is our model code.



EBARA CORPORATION

**Standard Pump Business Division,
Sales Development Dept**

11-1 Haneda Asahi-cho, Ohta-ku, Tokyo 144-8510, Japan
 Phone:+81-3-6275-7578(direct) Fax:+81-3-5736-3193
 Website:<http://www.ebara.co.jp/en/>