



Numeric & function keys



Stand type

Wall type

Multi-purpose cradle

CI-200D SERIES

Weighing Indicator

Applicable for various weighing applications, with the added flexibility of manually setting functions via numeric keys. With various power supply options, the CI-200D series is highly portable and ideal for environments where power outlets are not available or power outages often occur.



CI-200D SERIES | Weighing Indicator

CAS TOTAL WEIGHING SOLUTION™

SPECIFICATIONS

Model	CI-200D
Load cell applied voltage	DC 12V or 6V(Battery)
Battery usage time	47Hours (with 1 digital load cell connection)
No. of load cell connection	Max. 8
Communication	RS-485 half-duplex(COM2)
Communication Speed	9,600BPS ~ 115,200BPS
AC Adapter	AC 100~240 V (DC 12V, 1.25A)
Operation Temperature	-10°C ~ 40°C
Product Dimension	139mm(H) x 206mm(L) x 91.05mm(W)
Product Weight	Approximately 1.3Kg

FEATURES

- Simple and prompt full digital calibration
- High A/D conversion speed (80 times/sec)
- High resolution 1/10,000
- Multi-calibration
- Weight back-up function
- Weight Comparison: Hi, Low, OK (only LCD)
- Numeric keys & function keys
- Various power supplies [DC adaptor, Rechargeable battery or AA size dry battery x 6 (option)]
- 4 & 6 wire load cell support
- 2 serial ports
 - Standard: 1 port
 - Option: 1 additional port (for PC, Printer, Remote display communication, etc)
- Multi-purpose cradle
- Interface
 - Standard: RS-232C
 - Option: RS-422, RS-485

OPTIONS

- Pole bracket
- Dry battery holder
- 1 additional serial port
- Remote display
- Printer (DLP-50, DEP-50)
- RS-422/RS-485 Interface

CAS

CAS BLDG., # 440-1, SUNGNAE-DONG,
GANGDONG-GU, SEOUL, KOREA
TEL_ 82 2 2225 3500
FAX_ 82 2 475 4668
<http://www.globalcas.com>

Specifications are subject to change for improvement without prior notice.

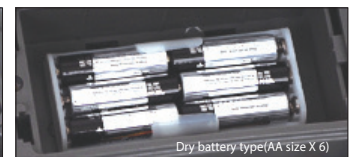
Numeric keys and 5 function keys

- 1) Set functions using numeric keys
You can easily input numerals to set the functions of the CI-200D series indicator using the numeric keys.
- 2) Short cut keys
With short cut keys (F1 & F2), you are able to switch quickly and easily to your preferred or mostly commonly used functions.



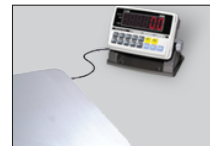
Various power supplies

- The CI-200D series can be operated with a DC adaptor, rechargeable battery or dry battery (option).
- The ability to use a rechargeable battery or dry battery increases portability and allows the indicator to be used in environments where little or no power is available.



Multi-Purpose Cradle(MPC)™ system

- The all-in-one Multi-Purpose Cradle (MPC) enhances usability in various locations. Whether left free standing or mounted to a wall, the indicator is able to be tilted for easy viewing.



Stand type

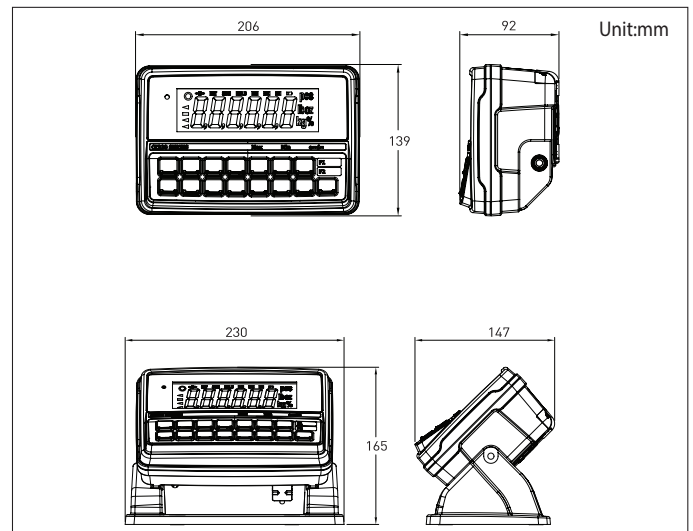


Wall type



Tilting

DIMENSIONS



Unit:mm