

Brochure

Head Office:

Gedung TRANKA 1st Floor, Jl. Raya Pasar Minggu No. 17

Jakarta 12520

Phone: 021-7982574, Fax: 021-7983011, 7971870

Website: www.yanfaseparation-phe.com

Yanfa

PT. YANFA PUTRA ALAM

Separation and Plate Heat Exchanger Specialist

TURBOCHARGER



We supply turbos from Asia's leading distributor of turbos, they represents five world class turbo manufacturers. These top-of-the-line turbos are primarily used for the generating sets, heavy automotive industry, such as trucks, excavators and commercial vehicles.

These well-known brands are Garrett (USA), Holset (Great Britain), Mitsubishi (Japan), IHI (Japan) and BorgWarner (USA) and others Brand, which collectively make up more than 90% of the global turbocharger market for commercial and passenger car applications.

Garrett



BorgWarner
EFR



PRECISION
TURBO & ENGINE



BullseyePower



Medan Branch Office, Ruko Pendawa Jaya – Jl. Harmonika Baru No. 66,
Pasar 2 Tanjung Sari - Medan 20132

Phone : 62-61 8221836, 08126080182, Fax : 62-61 8221836

Brochure

Head Office:
Gedung TRANKA 1st Floor, Jl. Raya Pasar Minggu No. 17
Jakarta 12520
Phone: 021-7982574, Fax: 021-7983011, 7971870
Website: www.yanfaseparation-phe.com

Yanfa

PT. YANFA PUTRA ALAM

Separation and Plate Heat Exchanger Specialist

MAJOR COMPONENT AND SPARE PARTS OF TURBOCHARGER

1. Turbocharger

Only major manufacturers trusted by OEM's around the world can produce a quality turbo.

2. CHRA

Centre housing rotating assembly manufactured to world class standards by

3. Repair Kit

Reputable and reliable. Use only genuine repair kits for your quality turbo by



TURBOCHARGER



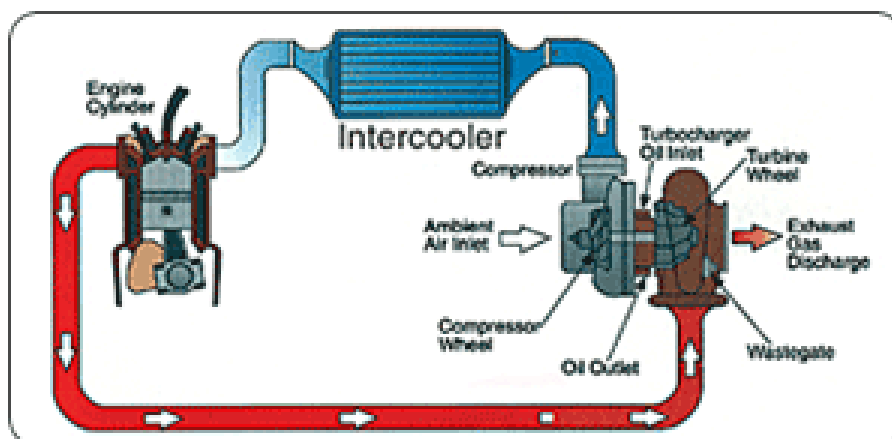
REPAIR KIT



CHRA (Centre Housing Rotating Assembly)

Introduction

A turbo is a high precision 'air pump', used to supply more air into the engine by harnessing on the usually wasted energy in the engine exhaust.



Brochure

Head Office:
Gedung TRANKA 1st Floor, Jl. Raya Pasar Minggu No. 17
Jakarta 12520
Phone: 021-7982574, Fax: 021-7983011, 7971870
Website: www.yanfaseparation-phe.com

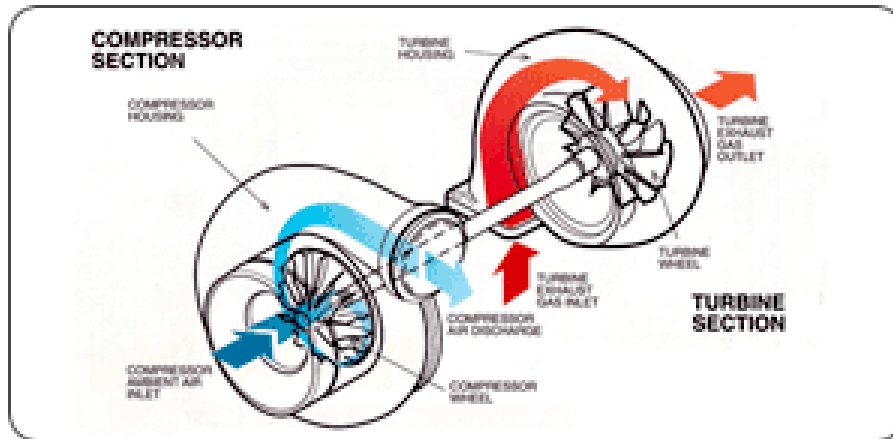
Yanfa

PT. YANFA PUTRA ALAM

Separation and Plate Heat Exchanger Specialist

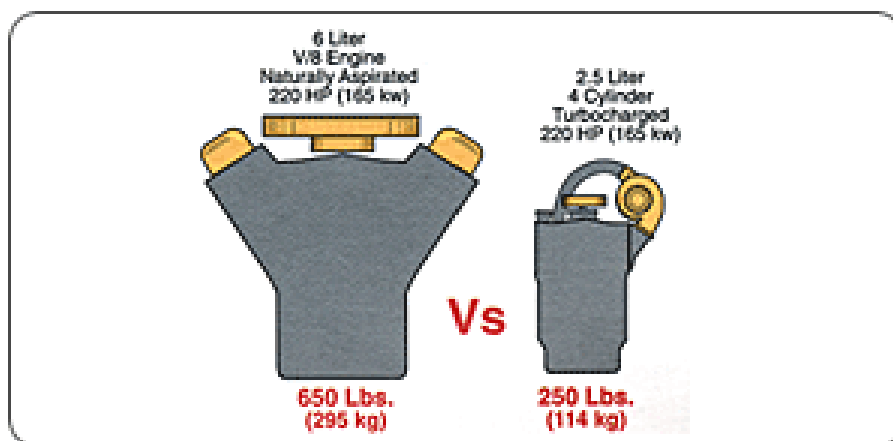
Principles of Turbocharging.

The exhaust gases (dark red arrow) drive the turbine wheel and shaft, which is coupled to the compressor wheel. When the compressor wheel rotates, fresh air (dark blue arrow) is forced-fed at high pressure into the combustion chamber (light blue arrow). With a high concentration of oxygen per cubic volume and optimum air-fuel ratio, combustion is now cleaner and more complete.



Benefit of Turbocharging

- Increases engine output and torque
- Lowers diesel fuel consumption
- Reduces harmful engine emission
- Uses more compact and lighter engines



What is Intercooling.

Intercooling is a process whereby an air cooler, called the intercooler, reduces the temperature of the compressed air intake, making it denser with a higher concentration of oxygen per cubic air volume. Coupled with turbocharging, an even higher level of combustion is achieved, thereby releasing an additional 15% engine power.

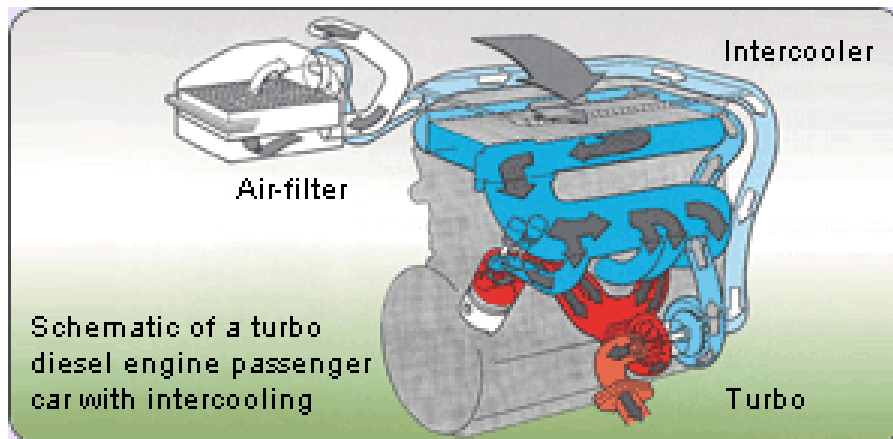
Brochure

Head Office:
Gedung TRANKA 1st Floor, Jl. Raya Pasar Minggu No. 17
Jakarta 12520
Phone: 021-7982574, Fax: 021-7983011, 7971870
Website: www.yanfaseparation-phe.com

Yanfa

PT. YANFA PUTRA ALAM

Separation and Plate Heat Exchanger Specialist



What is a wastegate

A bypass valve (wastegate/regulator) allows the turbo system to develop peak charge-air pressure for maximum engine boost response while eliminating the chance of excessive manifold pressure (overboost) at high speed. The wastegate is precisely calibrated and opens to direct some exhaust gas flow around the turbine wheel. This limits shaft speed which in turn control boost pressure.

