

EI-MD3000D High Sensitivity Digital Walkthrough Metal Detector



Product Introduction

EI-MD3000D high sensitivity digital walkthrough metal detector use excellent Digital pulse technique, has high detection sensitivity of the magnetic metal and nonmagnetic metal, and good recognition for personal items such as coins, keys, belt buckle, etc. multi-layered overlapping coil design, with high-brightness LEDs to show the horizontal position of metal objects accurately, which can be easy for operator to make judgment.

Technology Features

- ◆ There are 100 working frequency choose ,and strong anti-interference.
- ◆ Very stable performance with digital pulse technology.
- ◆ Modular design for easy installation and disassembly.
- ◆ Automatic sleep.
- ◆ Automatically power on , self test, environment adaptive.
- ◆ 7-inch color screen, display mode optional.
- ◆ 45 Independent Zone.
- ◆ 30 application modes to choose from.
- ◆ Sensitivity level: free to detect a dime, no blind zone.

Applications

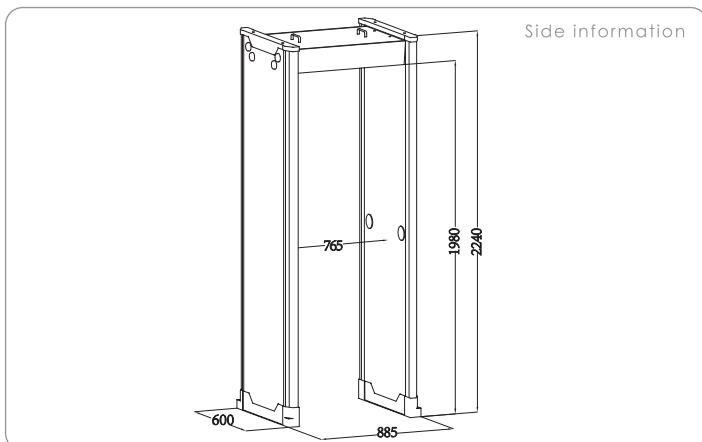
- ◆ Prison
- ◆ Airport
- ◆ Government law enforcement
- ◆ Factories
- ◆ Bank
- ◆ Venues

Technology Data

- Detection Area: 1/8/15/16/24/30/45 area can be set.
- Overall detection sensitivity: 300-level adjustment, the higher the number, the higher the sensitivity.
- Partition sensitivity adjustment: 300 levels adjustable in each zone. The higher the number, the higher the sensitivity.
- Vibration protection: adjustable sensitivity (0 — 255), can prevents false alarms caused by vibration interference.
- System detection function: It can manually detect the left and right zones and sound, LED working status.
- Passing speed: can be adjusted from the fastest 100 people / minute.
- Counting function: intelligent passenger flow and alarm counting function, can record 20,000 pieces alarm record and automatically save, can query the alarm record in time period in real time.
- Chinese and English display: can select the appropriate language according to your needs, can customize the language.
- 7.0-inch LCD color display: can be divided into indoor and outdoor display mode; LCD backlight brightness can be adjusted from 0%-100%.
- Manage encryption: prevent data from being illegally modified or mishandled, resulting in abnormal product operation
- Backup power supply: 4/8/10 hours battery power supply (optional)
- Networking function: can be connected to the computer to realize remote parameter setting/query function (optional)
- Low power consumption: <15W ultra low power consumption

Installation Data

- Size/Weight..... 2240mm (L)*855mm (W)*600mm (H)/About 55KG
- Tunnel Size..... 1980mm (L)*765mm (W)*600mm (H)
- Power Supply..... DC 15V/5A
- Power Consumption..... <15W
- Working Temperature..... -28 C~+47 C



Health And Safety

Remark: above data base on National Standard GB15208.2

According to the national standard of the People's Republic of China GB15208.1-2005 and the international standards for radiation safety.

The copyright belongs to EastImage Equipment Co. Ltd Shanghai, China. Our products have domestic and international patents, must be strictly investigate if any parties copy the design and technology in future.



Our company has won QMS "ISO9001: 2008", EMS "ISO 14001:2004", OHSMS"GB/T28001-2011". EI-MD3000D won "EU CE certification".



Shanghai Eastimage Equipment Co., Ltd.

Address: No.111, Zhiye Road, Pudong New District, Shanghai, P.R. China

Post code: 201299

Tel: +86 21 33909328

E-mail: sales@eastimage.com.cn

Fax: +86 21 58545890

Http: //www.eastimagesecurity.com