

### Key Feature

#### Villa Door Station

- Standard PoE
- 2 MP HD camera
- Noise suppression and echo cancellation
- Low illumination
- Tamper-proof
- Configuration remotely via Web
- 2.4 GHz Wi-Fi
- Protection level: IK08

#### Network Indoor Station

- 7-inch colorful touch screen with resolution 1024 × 600
- Standard PoE
- Stores messages and captured pictures in the TF card
- Remote unlocking via the client software or the mobile client
- Views live videos of door stations and linked cameras

### Approval

#### Villa Door Station

|          |   |
|----------|---|
| CE-EMC   | a. EN 55032:2015<br>b. EN 61000-3-2:2014<br>c. EN 61000-3-3:2013<br>d. EN 50130-4:2011 +A1:2014 |
| CE-LVD   | EN 60950-1:2006 + A11:2009 + A1:2010 + A12:2011 + A2:2013                                       |
| CB       | IEC 60950-1:2005 (Second Edition) + Am 1:2009 + Am 2:2013                                       |
| FCC-SDOC | 47 CFR Part 15, Subpart B   |

|             |   |
|-------------|---|
| C-TICK(EMC) | AS/NZS CISPR 32:2015  |
| UL          | UL 60950-1 & CAN/CSA C22.2 No. 60950-1-07, Information Technology Equipment – Safety – Part 1: General Requirements |
| ROHS        | 2011/65/EU  |
| REACH       | Regulation (EC) No 1907/2006  |
| WEEE        | 2012/19/EU  |

#### Network Indoor Station

|             |   |
|-------------|---|
| CE-EMC      | a. EN 55032:2015<br>b. EN 61000-3-2:2014<br>c. EN 61000-3-3:2013<br>d. EN 50130-4:2011 +A1:2014                     |
| CE-LVD      | EN 60950-1:2006 + A11:2009 + A1:2010 + A12:2011 + A2:2013   |
| CE-RED      | a. EN 201 489-1 V2.1.1, EN 301 489-17 V3.1.1<br>b. EN 300 328 V2.1.1, EN 62311:2008                                 |
| CB          | IEC 60950-1:2005 (Second Edition) + Am 1:2009 + Am 2:2013   |
| FCC-SDOC    | 47 CFR Part 15, Subpart B   |
| FCC-ID      | 47 CFR Part 15, Subpart B   |
| C-TICK(EMC) | AS/NZS CISPR 32:2015  |
| C-TICK(RF)  | AS/NZS 4268:2017  |
| UL          | UL 60950-1 & CAN/CSA C22.2 No. 60950-1-07, Information Technology Equipment – Safety – Part 1: General Requirements |
| IC(EMC)     | ICES-003:Issue 6  |
| IC(RF)      | RSS-247 Issue 2, February 2017, RSS-Gen Issue 5, April 2018   |
| ROHS        | 2011/65/EU  |
| REACH       | Regulation (EC) No 1907/2006  |
| WEEE        | 2012/19/EU  |

## Specification

### Villa Door Station

#### System parameters

|                  |                                 |
|------------------|---------------------------------|
| Operation system | Embedded Linux operation system |
| Operation method | Single-button                   |
| Flash            | 32 M                            |
| RAM              | 256 M                           |

#### Video Parameters

|                            |  |
|----------------------------|--|
| Camera                     | 2MP HD camera  |
| Night vision               | Low illumination IR supplement mode:3 m                      |
| BLC                        | Support  |
| DNR                        | Support  |
| WDR                        | True WDR   |
| Field of view              | Horizontal: 129° Vertical: 75°                               |
| Video compression standard | H.264  |
| Stream                     | Main stream: 1080p@30fps, 720p@25fps<br>Sub stream: D1@25fps |
| Resolution                 | Main stream: 1920 × 1080p, 720p<br>Sub stream: 704 × 576     |
| Motion detection           | Support  |
| Anti-flicker frequency     | 50 Hz, 60 Hz   |

#### Audio parameters

|                            |   |
|----------------------------|---|
| Audio intercom             | Two-way audio communication             |
| Audio input                | Built-in omnidirectional microphone     |
| Audio output               | Built-in loudspeaker                    |
| Audio compression standard | G.711 U                                 |
| Audio compression Rate     | 64 Kbps                                 |
| Audio quality              | Noise suppression and echo cancellation |

#### Network parameters

|                  |                      |
|------------------|----------------------|
| Wired network    | 10/100 Mbps Ethernet |
| Network protocol | TCP/IP, RSTP         |

#### Access control parameters

|                   |             |
|-------------------|-------------|
| Reading frequency | 13.56 MHz   |
| Card type         | Mifare card |
| Relay             | 2           |

#### Interfaces

|                 |            |
|-----------------|------------|
| RS-485          | 1          |
| Wi-Fi           | 2.4G Wi-Fi |
| Debugging port  | 1          |
| TF card         | 0          |
| Alarm input     | 4          |
| Grounding       | 1          |
| Physical button | 1          |
| TAMPER switch   | 1          |

#### General

|                  |            |
|------------------|------------|
| Protection level | IP65, IK08 |
|------------------|------------|

|                     |                                      |
|---------------------|--------------------------------------|
| Indicator           | 3                                    |
| Power supply        | IEEE802.3af, standard PoE<br>12 VDC  |
| Power consumption   | < 10 W                               |
| Working temperature | -40° C to 53° C (-40° F to 127.4° F) |
| Working humidity    | 10% to 95%                           |
| Installation        | Surface mounting/ Flush mounting     |
| Dimension           | 174 mm × 91 mm × 29 mm               |

### Indoor Station

#### System parameters

|                  |                                 |
|------------------|---------------------------------|
| Memory           | 128 MB                          |
| Flash            | 32 MB                           |
| Operation system | Embedded Linux operation system |

#### Display parameters

|                    |                            |
|--------------------|----------------------------|
| Display screen     | 7-inch colorful TFT screen |
| Display resolution | 1024 × 600                 |
| Operation method   | Capacitive touch screen    |

#### Audio parameters

|                            |   |
|----------------------------|---|
| Audio input                | Built-in omnidirectional microphone     |
| Audio output               | Built-in loudspeaker                    |
| Audio compression standard | G.711 U                                 |
| Audio compression rate     | 64 Kbps                                 |
| Audio quality              | Noise suppression and echo cancellation |

#### Network parameters

|                   |                                   |
|-------------------|-----------------------------------|
| Wired network     | 10/100 Mbps self-adaptive         |
| Wireless network  | Wi-Fi 802.11 b/g/n                |
| Network protocol  | TCP/IP, SIP, RTSP                 |
| Network interface | 1 RJ-45 10/100 Mbps self-adaptive |

#### Interfaces

|              |                                      |
|--------------|--------------------------------------|
| Alarm input  | 8-ch alarm inputs                    |
| Relay output | 2                                    |
| TF card      | Max to 32 G, SD 2.0 or lower version |
| RS485        | 1                                    |

#### General

|                     |  |
|---------------------|--|
| Power supply        | IEEE802.3af, standard PoE<br>12 VDC/1 A        |
| Power consumption   | ≤ 6 W  |
| Working temperature | -10 °C to 55 °C (14 °F to 131 °F)              |
| Working humidity    | 10% to 90%                                     |
| Dimensions          | 200 mm × 140 mm × 15.1 mm (7.9" × 5.5" × 0.6") |

## Weight

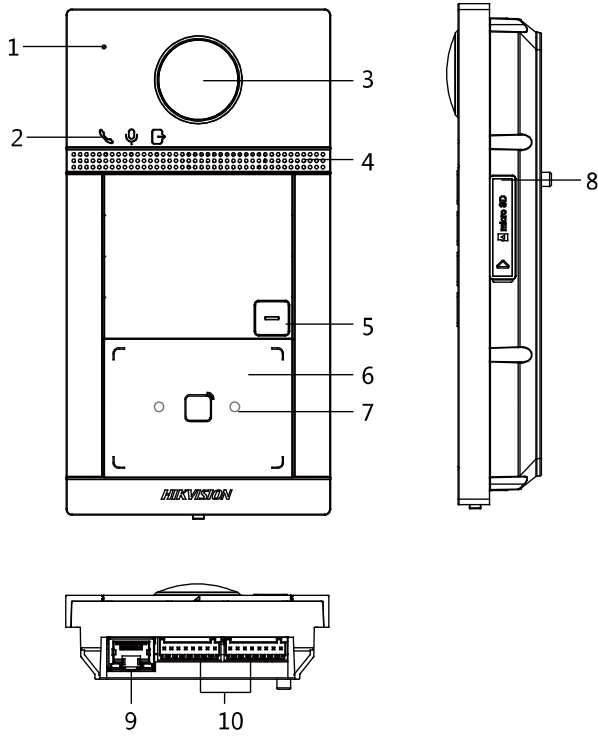
2.290 kg

## Available Model

DS-KIS604-S

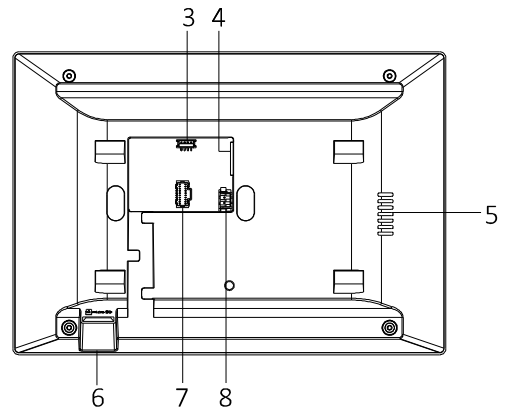
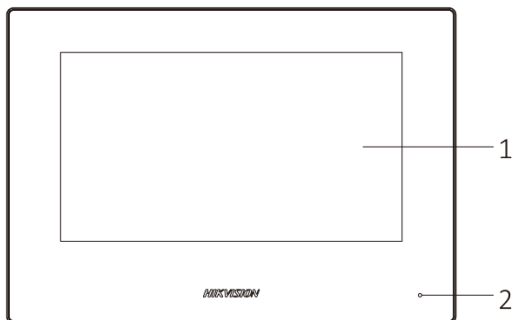
## Appearance and Interfaces

### Villa Door Station



| No. | Description | No. | Description                        |
|-----|-------------|-----|------------------------------------|
| 1   | Microphone  | 6   | Card Reading Area                  |
| 2   | Indicator   | 7   | IR Light                           |
| 3   | Camera      | 8   | MicroSD Card Slot & Debugging Port |
| 4   | Loudspeaker | 9   | Network Interface                  |
| 5   | Button      | 10  | Terminals                          |

### Network Indoor Station

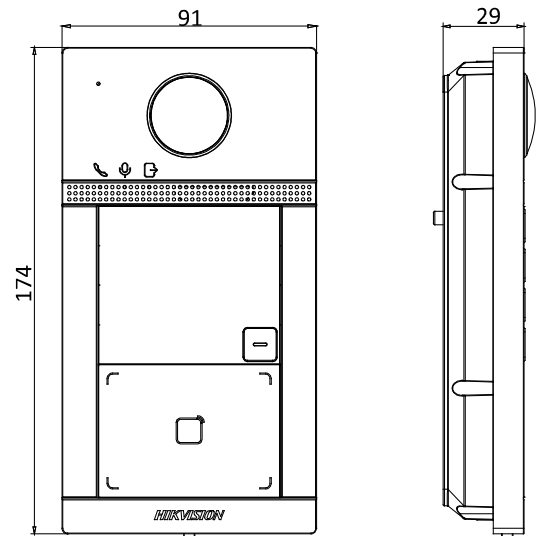


| No. | Description       | No. | Description    |
|-----|-------------------|-----|----------------|
| 1   | Screen            | 5   | Loudspeaker    |
| 2   | Microphone        | 6   | TF Card Slot   |
| 3   | Debugging Port    | 7   | Alarm Terminal |
| 4   | Network Interface | 8   | Power Supply   |

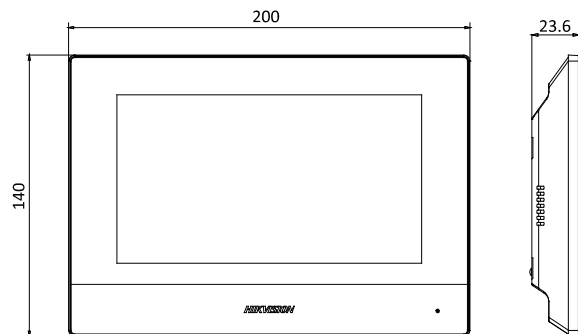
Note: The debugging port is used for debugging only.

## Dimension

### Villa Door Station

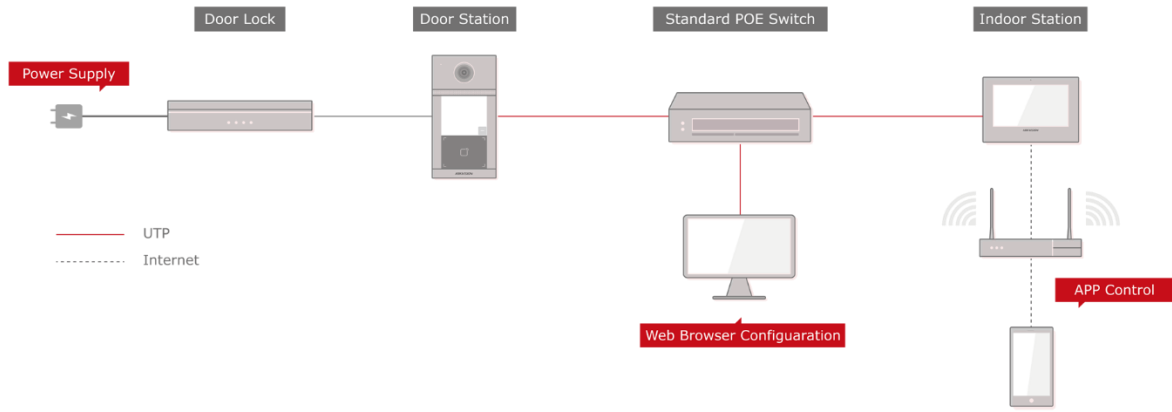


### Network Indoor Station



Unit : mm

**Typical Application**





Distributed by



## HIKVISION®

### Headquarters

No.555 Qianmo Road, Binjiang District,  
Hangzhou 310051, China  
T +86-571-8807-5998  
overseasbusiness@hikvision.com

**Hikvision USA**  
T +1-909-895-0400  
sales.usa@hikvision.com

**Hikvision Australia**  
T +61-2-8599-4233  
salesau@hikvision.com

**Hikvision India**  
T +91-22-28469900  
sales@pramahikvision.com

**Hikvision Canada**  
T +1-866-200-6690  
sales.canada@hikvision.com

**Hikvision Thailand**  
T +662-275-9949  
sales.thailand@hikvision.com

**Hikvision Europe**  
T +31-23-5542770  
sales.eu@hikvision.com

**Hikvision Italy**  
T +39-0438-6902  
info.it@hikvision.com

**Hikvision Brazil**  
T +55 11 3318-0050  
Latam.support@hikvision.com

**Hikvision Turkey**  
T +90 (216)521 7070- 7074  
sales.tr@hikvision.com

**Hikvision Malaysia**  
T +601-7652-2413  
sales.my@hikvision.com

**Hikvision UK & Ireland**  
T +01628-902140  
sales.uk@hikvision.com

**Hikvision South Africa**  
Tel: +27 (10) 0351172  
sale.africa@hikvision.com

**Hikvision France**  
T +33(0)1-85-330-450  
info.fr@hikvision.com

**Hikvision Kazakhstan**  
T +7-727-9730667  
nikia.panfilov@hikvision.ru

**Hikvision Vietnam**  
T +84-974270888  
sales.vt@hikvision.com

**Hikvision UAE**  
T +971-4-4432090  
salesme@hikvision.com

**Hikvision Singapore**  
T +65-6684-4718  
sg@hikvision.com

**Hikvision Spain**  
T +34-91-737-16-55  
info.es@hikvision.com

**Hikvision Tashkent**  
T +99-87-1238-9438  
uzb@hikvision.ru

**Hikvision Hong Kong**  
T +852-2151-1761  
info.hk@hikvision.com

**Hikvision Russia**  
T +7-495-669-67-99  
saleru@hikvision.com

**Hikvision Korea**  
T +82-(0)31-731-8817  
sales.korea@hikvision.com

**Hikvision Poland**  
T +48-22-460-01-50  
info.pl@hikvision.com

**Hikvision Indonesia**  
T +62-21-2933759  
Sales.Indonesia@hikvision.com

**Hikvision Colombia**  
sales.colombia@hikvision.com