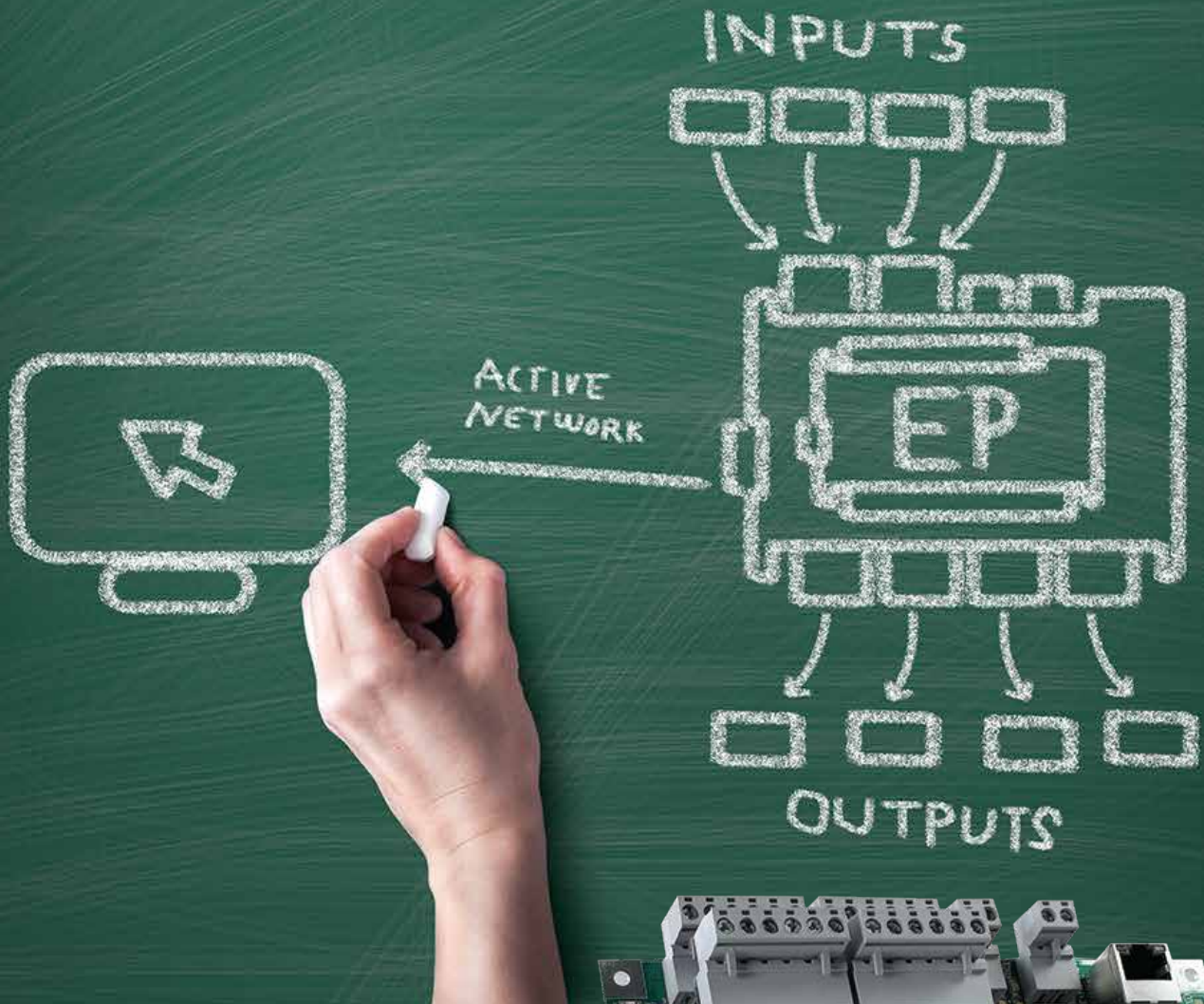
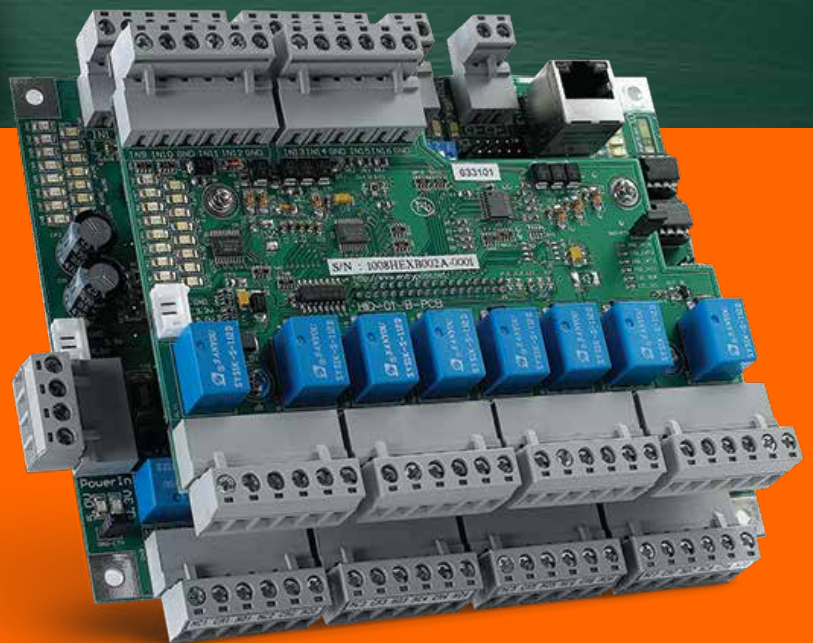


# HIO

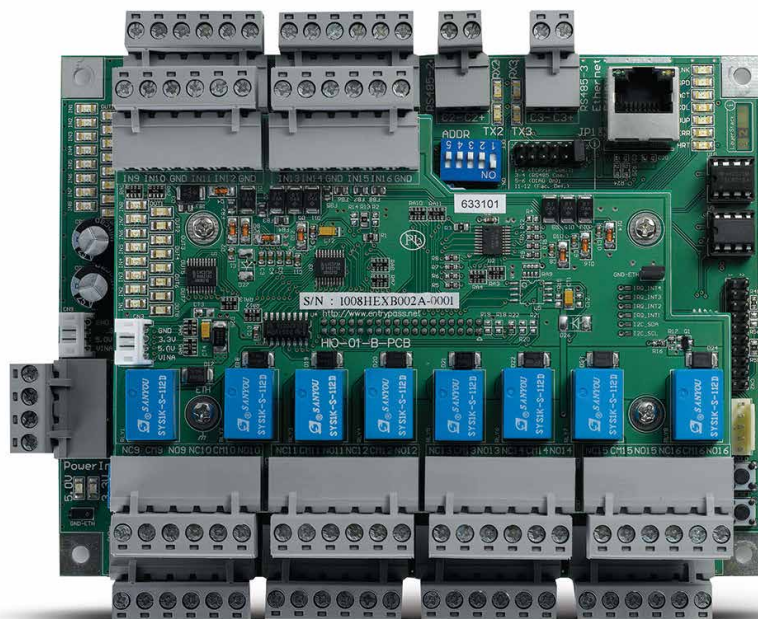
Hybrid Input / Output Control Panel



Our range of EntryPass control panels enable you to design floor-by-floor elevator access control to the card holders, letting you customize access level for individual card holder depending on your company policies. Depending on need, you have the power to control accessibility from 8 floors to 136 floors. What's more, you can choose to utilize the EntryPass hybrid control panel that comes with both serial and active network communication interface to cater to any installation you already have, making integration easier for you.



# HIO Hybrid Input / Output Control Panel



## ACTIVE TRANSMIT

Rather than keeping the event data in the memory awaiting for host-PC to poll, HIO actively transmits the current event data to the host server as it happens, meaning events gets delivered and can be act upon faster. (Only when the HIO is polled via TCP/IP protocol)



## BUILT IN WEB SERVER

HIO is built-in with web server where network configuration such as IP address, subnet mask, server IP and etc can be easily done upon login. No more factory programming needed as the firmware can be upgraded via the on-board web server.



## WIZARD INSTALLATION

Our system provides Wizard Menu guidance function for first time installation. It is absolutely hassle free installation method as it will guide user from the very first step until complete installed.

---

## Feature Highlight

---

Support up to maximum of 16 inputs & 16 outputs

Support dual mode communication (Modbus Serial & Modbus TCP/IP)

Support both open and close trigger devices

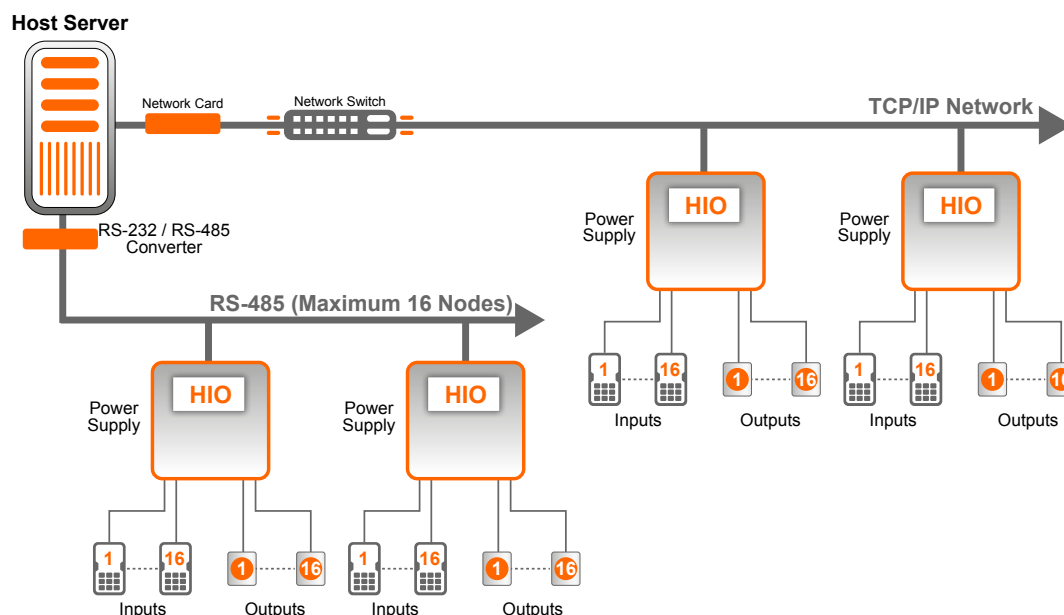
Support One-To-Many / Many-To-One / Many-To-Many configuration

Support both toggle and alarm mode monitoring function

Support various applications (Alarm / Lift )

# HIO Hybrid Input / Output Control Panel

## Basic System Diagram



## Technical Specification

Hardware	Description
Dimension	161mm (W) x 120mm (H)
MCU	32bits @ 60MHz
Memory	256K Flash Memory 32K SRAM (Buffer) 32Mbits Non-Volatile SPI Flash Memory (Storage)
Digital Input	8 - Expandable to 16 with EP.HIO.EXP
Digital Output	8 - Expandable to 16 with EP.HIO.EXP
Serial Communication Port	RS232/RS485 User Configurable
Network Communication Port	RJ-45 Self-Negotiate 10/100mbps
Communication Protocol	Modbus Serial Modbus TCP/IP
Power Protection	Resettable Fuse - 2.5A
Surge Protection (Comm/DI)	TVS - Up to 15KVA
Onboard LED Control	Power / Communication / LAN / Event
Trigger Mode	Open Trigger Short Trigger
Function Mode	Toggle Mode Alarm Mode
Timezone Control	Yes

### Ordering Information

EP.HIO.PCB	EntryPass Hybrid Input Output Control Panel Only
EP.HIO.PSU	EntryPass Hybrid Input Output Control Panel with power supply unit
EP.HIO.EXP	EntryPass Hybrid Input Output Control Panel Expansion Board - Additional 8 Inputs/Outputs

