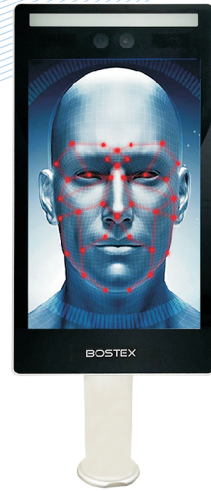


## Product Introduction

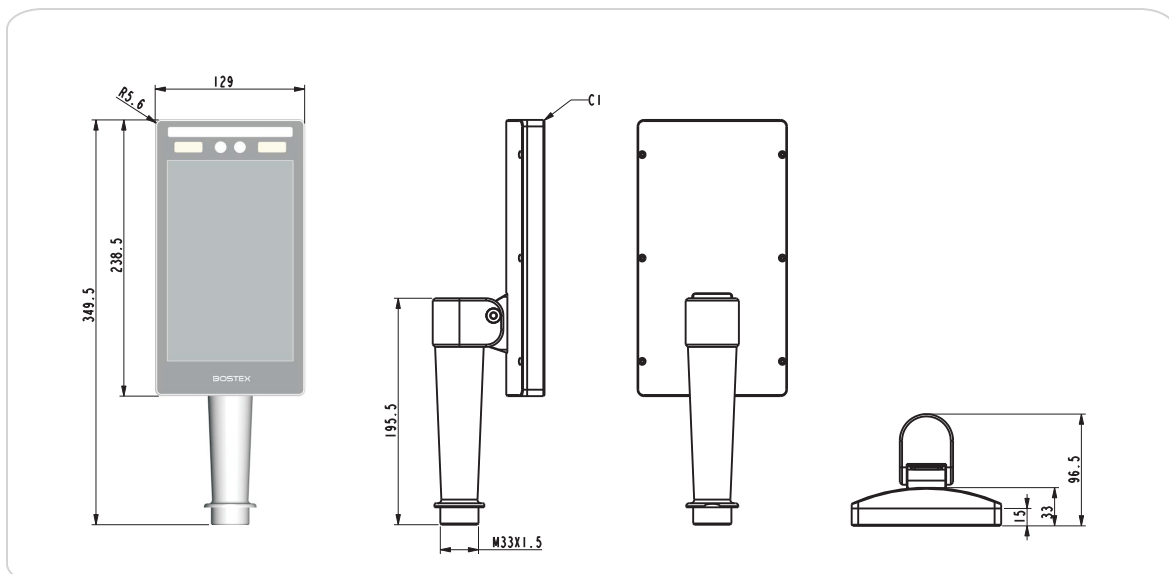
BS794AK series of face recognition terminals adopt face recognition technology with high recognition accuracy relying on in depth learning algorithm. This face recognition terminal support 1:1 verification and 1:N identification, suitable for gate/door access control, time attendant and other applications.



## Features

- ◆ Android Operation System, Use Cortex-A17 four core CPU
- ◆ 8 inches LED Screen display real-time video, Intelligent face detection and comparison
- ◆ Binocular 2 million pixel wide-angle cameras with automatic lighting and detection function
- ◆ Support liveness detection using IR Based Image Analysis
- ◆ Face recognition support 1:1 or 1:N
- ◆ Face recognition distance: 0.5m to 1.50m
- ◆ High performance processor with deep learning algorithm
- ◆ Support QR Code technologies
- ◆ Multiple authentication modes
- ◆ Verification speed < 1 sec

## Dimensions (Unit: mm)



## Parameters

---

Model	BS794N	BS794AK	BS794iK
CPU	Dual Cortex-A17 + Four core Cortex-A53, 64 bit CPU		
OS	Android		
Sereen	8 inch LCD screen 1280*800		
Camera	200 pixels binocular live identification anti-counterfeiting		
Verification Time	1:N method, Comparison time $\leq 0.5S$ / person		
Connection Port	TCP/IP, RS485, Wiegand Input, Wiegand Output, Door Sensor, Alarm In, Alarm out, Push Button, Door Relay, Alarm Relay		TCP/IP, RS232, Wiegand Input, Wiegand Output
Built-in memory	8GB		
RAM	2G		
Dimensions	238.5*129*33		
Power	DC 12V 3A		
Weight	1210g		
Environment temperature	-20°C~60°C		
Environment humidity	0%~90%		
Mounting Method	Barrier bracket mount		