



BS362 Series



BSFDR Fingerprint Desktop Reader

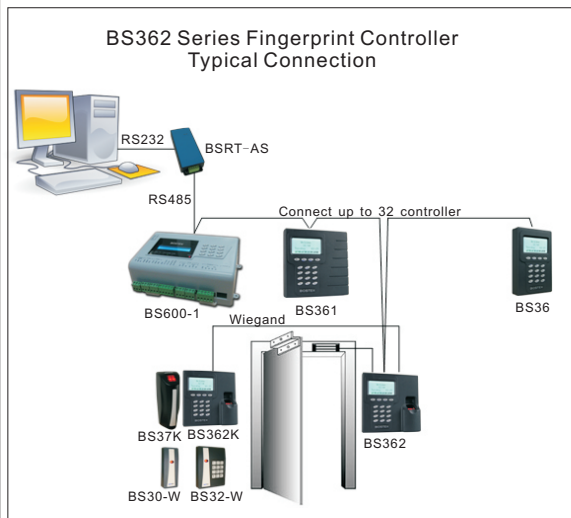
## Features

- ◆ Support up to 1900 and 9500 fingerprint storage capacity, matching time < 1 second
- ◆ Store up to 10,000 cards and 10,000 transaction records
- ◆ Each user able to enroll up to 10 finger for duress alarm activation, dual finger verification and backup purpose
- ◆ Fingerprint templates auto renew feature. When live fingerprint data changes is detected (e.g. skin peeling), controller will automatically renew the template data with the current capture data
- ◆ Adjustable security level. FAR is adjustable up to 1/100,000,000
- ◆ Rapid matching features to increase fingerprint identification speed up to 10 times
- ◆ Support different mode to access control include dual finger verification, time zone control, anti-passback, multiple card ID verification
- ◆ Operation Mode: Fingerprint Only, Card + Fingerprint, ID + Fingerprint, Fingerprint + PIN, Card Only, PIN Only, Card + PIN and etc.
- ◆ Support build-in reader module include EM, Mifare, HID, TI, Type B and CPU card reader. Fingerprint template can has the option to store in Mifare Card
- ◆ Able to operate in standalone mode or connect to PC RS-485.
- ◆ Recoverable up to the latest 10,000 transaction if back end system failure
- ◆ CE Certified

## Functional List

Function	Description
Operation Mode	Support Fingerprint Only, Card + Fingerprint, ID +Fingerprint, Fingerprint + PIN, Card + Fingerprint + PIN, ID + Fingerprint + PIN, Card Only, PIN Only, Card + PIN, ID Only.
Connect to External Wiegand Reader	Support any 26 or 34 bit wiegand card reader
Free Wiegand Setting	Yes
Connect External Keypad Reader	(1) HID wiegand keypad reader (2) BS36K keypad reader
Connect External BS Fingerprint Reader	Yes, via wiegand port
Connection to PC	Via RS485
Standalone Fingerprint Enrollment	Yes
Online Download Fingerprint template	Yes
Read Fingerprint Template from Card	Mifare card is able to store up to 2 templates at definable storage sector
Write Fingerprint Template to Card	(1) Write template directly to Mifare Card at designated storage sector by controller (2) Enroll using desktop fingerprint reader and write template to card using Mifare desktop reader
Fingerprint backup tool	Backup fingerprint template from controller to computer
Fingerprint Verification Security Level	1-5 Level, Default is 2. The higher the level, the more secure it will be but matching time will be longer
Fast Matching Mode	Able to set up to 6 levels. The higher the number, matching will be faster and will also increase the FRR rate.
Auto Scan	Able to enable fingerprint auto scan operation.
Dual finger verification	2 finger from the same user need to be verified before granting access.
Alarm finger	Yes
Lightings Condition	Able to setup for Indoor or Outdoor usage.
Enrollment Quality	Able to setup fingerprint enrollment quality. Default is 90. The lower the setting the higher the FAR.
Image Quality	Able to setup fingerprint image quality during enrollment.
Sensor sensitivity level	Able to setup the sensor sensitivity level to the fingerprint image.
Enrollment Mode	Able to select whether to enroll finger with one or two template.
Alarms Function	Support Door left open alarm, Door force open alarm, Temper alarm and local TTL alarm
Other Functions	Same function as BS36

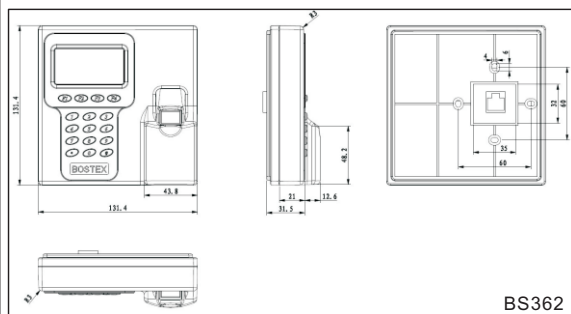
## ▶ Connection Diagram



## ▶ Technical Specification

Parameter	
CPU	16 bits, 8MHz
RAM	512K Bytes
Flash	256K Bytes
Fingerprint Sensor	500dpi optical sensor
Fingerprint Capacity	Support 1900 or 9500 templates.
Identification time	< 1 seconds
False Acceptance Rate(FAR)	Adjustable between 1/10,000 ~ 1/100,000,000
Equal Error Rate (EER)*	< 0.1%
No. of finger enroll per user	Up to 10
Number of Doors	1
Connect Wiegand Reader	2
TTL Alarm Input	1
Door Sensor	1
Exit Push Button	1
TTL Alarm Output	1, 5V/300mA
Alarm Relay Output	1, 12V/1A
Door Relay Output	1, 12V/1A
Tamper Switch	1
Card Capacity	10, 000
Record Capacity	10, 000
Serial COM Port	1 x 485 connect to PC
Baud Rate	1200~19200 bps. Default is 19200 bps
Controller ID Setting	001~255. Default is 1
Data Backup Battery	Rechargeable. Without main power able to save the data for up to 6 months
Keypad	4x4, Blue Backlight
LCD	128x64 dots, Graphical, White Backlight, Chinese, English
Buzzer	1, audible sound able to distinguish valid and invalid card
Power Supply	9~30VDC, 300mA
Operating Temperature	-10~50°C
Dimension	131 x 131 x 32 mm
Casing	ABS flame-resistant

## ▶ Dimension (Unit: mm)



BS362

\*EER means "Equal Error Rate" which is an error rate when FAR is equal to FRR. In our module, FAR can be controlled by setting "security level" parameter. 1/10,000 to 1/100,000,000. FRR varies with each FAR. For example, when setting FAR at 1/100,000 as default, FRR is roughly around 1%.

## ▶ Model Selection

Model	Description
BS362-XXX	Fingerprint controller
BS362-XXX-E	Fingerprint controller, build-in EM Card reader, range > 5cm
BS362-XXX-M	Fingerprint controller, build-in Mifare Card reader, range > 2.5cm
BS362-XXX-H	Fingerprint controller, build-in HID Compatible Card reader, range > 2.5cm
BS362-XXX-T	Fingerprint controller, build-in ISO15693 (TI) Card reader, range > 2.5cm
BS362-XXX-C	Fingerprint controller, build-in CPU Card reader, range > 2.5cm

Remark:  
If need to purchase fingerprint controller with 9500 templates, please append (9500) behind the above model (e.g. BS362-XXX-E(9500)).