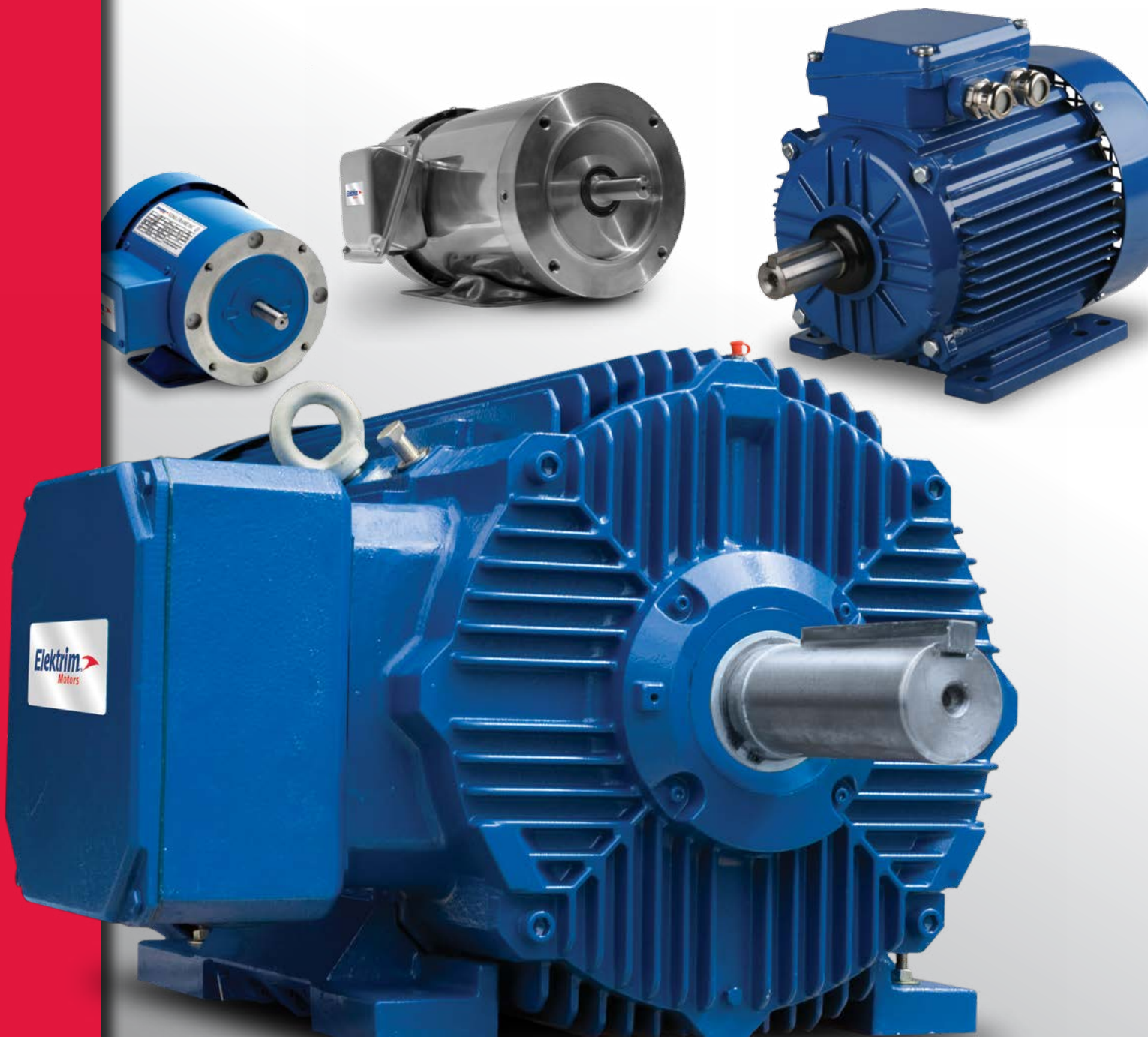


Elektrim® *Motors*

SOLUTIONS TO MEET YOUR NEEDS

www.elektrimmotors.com or call **855-Go-Elektrim**



Elektrim®

Motors

Elektrim Motors are European designed and engineered for exceptional quality and outstanding performance, and are manufactured in state-of-the-art ISO 9001 quality system facilities around the world.



A History of Manufacturing Excellence

MORE THAN
40
YEARS
OF
MANUFACTURING EXCELLENCE

Elektrim Motors currently operates from a central office in the northwest Chicago suburbs.

Elektrim Motors are offered by distributors all over the United States, and is supported by a wide network of industrial sales representatives.

Discover the rugged quality, powerful performance and unwavering dependability that Elektrim brings to your application.

Dear Partner,

Over the past two years, we visited a number of our partners across the country, and engaged in many meaningful conversations about the state of the motor industry, what customers are looking for from a trusted motor supplier, and how you would like the Elektrim Motor brand positioned. We have listened, and, as a company, we have learned.

As a result, we decided to change the way we approach the marketplace in 2013 and returned Elektrim Motors as the face of our motor operations. We, as Elektrim Motors, have served the industrial marketplace with high quality, European designed and engineered motors for over three decades, and it is important that this history of excellence stand out.

With this in mind, our motor catalog began the process of retiring the Elektrimax brand name, and consolidating all of our motors under the Elektrim Motors brand. This decision was influenced by you, our loyal partners, who voiced a desire to align all of our motors with the stronger, more recognizable Elektrim Motors brand.

What will happen to Elektrimax brand motors?

- Just a brand name change.
- All Elektrimax motors will still be available as Elektrim Motors and distinguished by their series name (part number prefix).
- Part numbers remain unchanged.
- See chart for details.

PREVIOUS PRODUCT NAME	STATUS	CURRENT PRODUCT NAME	SERIES
Elektrimax Premium 31N Series	Rebranded	Elektrim Premium 31N Series	31N Series
Elektrimax Premium 32N Series	Rebranded	Elektrim Premium 32N Series	32N Series
Elektrim Premium	Unchanged	Elektrim Premium 20N Series	20N Series
Elektrimax Crusher Duty	Rebranded	Elektrim Crusher Duty 33N Series	33N Series
Elektrim Crusher Duty	Unchanged	Elektrim Crusher Duty 40N Series	40N Series
Elektrim Metric	Unchanged	Elektrim Metric	20M Series
Elektrim Metric	Unchanged	Elektrim Metric	40M Series
Elektrim Premium Brake	Unchanged	Elektrim Premium Brake	20N Series
Elektrimax Design D	Rebranded	Elektrim Design D	34N Series
Elektrimax 56C Rolled Steel	Rebranded	Elektrim 56C Rolled Steel	38C Series
Elektrimax 56C Stainless Steel	Rebranded	Elektrim 56C Stainless Steel	39C Series
Elektrimax Premium Stainless Steel	Rebranded	Elektrim Premium Stainless Steel	79 Series

During this transition, customers who place orders for an Elektrim Premium 31N series motor, for example, may still receive these motors branded as Elektrimax, their former name. This will occur until all existing inventory has been sold and re-stocked with its new branding.

For your convenience, this catalog will include a note where a motor product has been rebranded, and we will endeavor to include notification with all shipments.

Our customer support team is readily available to answer any questions you might have during this transition, or you may visit www.elektrimmotors.com/rebrand for a detailed overview.

Thank you for choosing Elektrim Motors!

Premium Efficient Cast Iron Motors



Premium Efficient Performance 20N Series

- 1-250 HP
- 3600-1800-1200 RPM
- NEMA Premium® TEFC IP55
- Dual Rated 60/50 Hz
- Inverter Rated 10:1CT 20:1VT
- Service Factor up to 1.4
- Vacuum Pressure Impregnation
- Oversized Bearings on both ends
- V-Ring or Labyrinth Seal
- Moisture Resistant Tropicalization

Applications

- Mills and Quarries
- Pumps and Conveyors
- Foundries and Chemical Plants

Learn More on Pages 6-9



Premium Efficient All-Purpose 31N Series

- 1-50 HP
- 3600-1800-1200-900 RPM
- NEMA Premium® TEFC IP55
- Dual Rated 60/50 Hz
- Inverter Rated 10:1CT 100:1VT
- Service Factor up to 1.25
- Class I, Div II Group ABCD T3C

Applications

- Pumps
- Fans and Blowers
- Packaging Equipment
- Mixers
- Conveyors
- Compressors

Learn More on Pages 10-15



Premium Efficient All-Purpose 32N Series

- 60-250 HP
- 3600-1800-1200 RPM
- Premium Efficient TEFC IP55
- Dual Rated 60/50 Hz
- Inverter Rated 10:1CT 20:1VT
- Service Factor 1.20
- Vacuum Pressure Impregnation
- Oversized Bearings on both ends

Applications

- Pumps
- Fans and Blowers
- Packaging Equipment
- Mixers
- Conveyors

Learn More on Pages 10-15



Premium Efficient Severe Duty 60N Series

- 1-250 HP
- 3600-1800-1200 RPM
- NEMA Premium® TEFC IP55
- Dual Rated 60/50 Hz
- Inverter Rated 10:1CT 20:1VT
- Service Factor up to 1.4
- Vacuum Pressure Impregnation
- Oversized Bearings on both ends
- V-Ring or Labyrinth Seal
- Moisture Resistant Tropicalization
- Low Vibration Level <0.08 in/sec

Applications

- Mills, Quarries and Crushers
- Foundries and Chemical Plants

Learn More on Pages 16-19

Metric IEC Motors



High Efficient Metric IEC Series

- 0.08-150 HP
- 3600-1800-1200 RPM
- TEFC IP55
- Dual Rated 60/50 Hz
- Inverter Rated 5:1CT 10:1VT
- Vacuum Pressure Impregnation
- Oversized Bearings on both ends

Applications

- Pumps
- Conveyors
- Fans and Blowers
- Machine Tools
- Textiles
- Marine Duty

Learn More on Pages 20-25



Larger Metric Low Voltage

- 220-1500 HP
- 3600-1800-1200 RPM
- TEFC IP55 or Better
- Dual Rated 60/50 Hz
- Inverter Duty Rated
- Vacuum Pressure Impregnation
- Oversized Bearings on both ends

Applications

- Pumps
- Conveyors
- Fans and Blowers
- Mills
- Mineral Processing
- Waste Management Facilities

Learn More on Pages 26-27



56C Single & Three Phase

- 1/3-3 HP
- 3600-1800 RPM
- TEFC IP55
- Dual Rated 60/50 Hz
- Service Factor 1.15
- Single and Three Phase
- C-Face Footed and Round Body

Applications

- Gear Reducers
- Machine Tools
- Fans and Blowers
- Compressors
- Grinders
- Conveyors

Learn More on Pages 38-41



T/T/C - High Torque Single Phase

- 3-10 HP
- 3600-1800 RPM
- TEFC IP55
- Single Phase 60 Hz
- Service Factor 1.15
- High Starting Torque
- Footed and C-Face Footed

Applications

- Grain Augers
- Grain Legs
- Bucket Elevators
- Feeders
- Agitators
- Irrigation Pumps

Learn More on Page 37

Close Coupled Pump Motors



Premium Efficient Close Coupled JM/JP

- 1-60 HP
- 3600-1800 RPM
- NEMA Premium® TEFC IP55
- Dual Rated 60/50 Hz
- Inverter Rated 20:1VT
- Service Factor up to 1.4
- Vacuum Pressure Impregnation
- Oversized Bearings on both ends

Applications

- Transfer Pumps
- Circulating Pumps
- Centrifugal Pumps
- Hydraulic Pumps
- Turbine Pumps

Learn More on Pages 30-31



TEFC JM/JP for ODP Replacement

- 1-30 HP
- 3600-1800 RPM
- TEFC IP55 step-down frame for direct ODP replacement
- Inverter Duty Rated
- Vacuum Pressure Impregnation
- Oversized Bearings on both ends
- Use Horizontally or Vertically

Applications

- Transfer Pumps
- Circulating Pumps
- Centrifugal Pumps
- Hydraulic Pumps
- Turbine Pumps

Learn More on Page 32

Washdown Motors



56C Stainless Steel

- 1/3-3 HP
- 3600-1800 RPM
- TEFC IP55
- Dual Rated 60/50 Hz
- Service Factor 1.15
- Single and Three Phase (VFD)
- C-Face Footed and Round Body
- Anti-Corrosion 300 Series Steel

Applications

- Food Processing Equipment
- Poultry Processing
- Corrosive Environments
- Bottling Plants
- Car Washes

Learn More on Pages 42-43



Premium Efficient TC - Stainless Steel

- 1-30 HP
- 3600-1800 RPM
- NEMA Premium® TEFC IP55
- Dual Rated 60/50 Hz
- Inverter Rated 3:1CT 5:1VT
- Service Factor 1.15
- Vacuum Pressure Impregnation
- Anti-Corrosion 300 Series Steel

Applications

- Food Processing Equipment
- Poultry Processing
- Corrosive Environments
- Bottling Plants
- Car Washes

Learn More on Pages 44-45

Definite Purpose Motors



Crusher Duty

- 125-600 HP
- 1800-1200 RPM
- TEFC IP55
- Inverter Rated 5:1CT 10:1VT
- Service Factor up to 1.20
- with Thermistors and Space Heaters (449T and up)
- Vacuum Pressure Impregnation

Applications

- Mills
- Crushers
- Pulverizers
- Feeders
- Conveyors

Learn More on Page 34



Premium Efficient Brake Series

- 1-30 HP
- 3600-1800-1200 RPM
- NEMA Premium TEFC IP55
- Dual Rated 60/50 Hz
- Inverter Rated 10:1CT 20:1VT
- Service Factor up to 1.4
- Vacuum Pressure Impregnation
- Oversized Bearings on both ends

Applications

- Conveyors
- Gear Reducers
- Cranes and Hoists
- Machine Tools
- Door Operators

Learn More on Pages 35-36



Above NEMA Medium Voltage

- 150-2500 HP
- 3600-1800-1200-900-750 RPM
- TEFC Cast Iron Fin Frame
- Multiple Voltages Available
- Service Factor 1.15
- Vacuum Pressure Impregnation
- Versatile Extra Mounting Holes
- Quieter operation < 85 dBA

Applications

- Cement and Chemical Plants
- Metal Processing
- Mining Machinery
- Refineries
- Foundries

Learn More on Pages 28-29



Metric Medium Voltage

- 220-6300 HP
- 2, 4, 6, 8, and 10 Pole
- TEFC Welded or Cast Iron Frame
- Multiple Voltages up to 11kV
- Vacuum Pressure Impregnation
- Low Vibration Level < 1.8mm/s
- Versatile Extra Mounting Holes
- Winding & Bearing Protection

Applications

- Cement and Chemical Plants
- Metal Processing
- Foundries and Refineries
- Extruders and Shredders
- Chippers and Thrusters

Learn More on Pages 28-29

Medium Voltage Motors

Table of Contents

Premium Efficient Motors

Performance, Three Phase, Foot Mounted	6
Performance, Three Phase, C-Face	8
All-Purpose, Three Phase, Foot Mounted	10
All-Purpose, Three Phase, C-Face	13
Severe Duty, Three Phase, Foot Mounted	16
Severe Duty, Three Phase, C-Face	18
JM Pump, Three Phase, C-Face Foot Mounted	30
JP Pump, Three Phase, C-Face Foot Mounted	31
Brake Motor, Three Phase, Foot Mounted	35
Brake Motor, Three Phase, C-Face	36
Stainless Steel, Three Phase, C-Face Foot Mounted	44
Stainless Steel, Three Phase, C-Face Round Body	45
575V, Performance, Three Phase, Foot Mounted	47
575V, Performance, Three Phase, C-Face	47
575V, Severe Duty, Three Phase, Foot Mounted	48
575V, Severe Duty, Three Phase, C-Face	48
575V, JM Pump, Three Phase, C-Face Foot Mounted	50
575V, JP Pump, Three Phase, C-Face Foot Mounted	50
575V, Brake Motor, Three Phase, Foot Mounted	51
575V, Brake Motor, Three Phase, C-Face	51

IEC Frame Metric Motors

Three Phase, 50/60 Hz, B3 Foot Mounted	20
Three Phase, 50/60 Hz, B35 Std D-Flange	22
Three Phase, 50/60 Hz, B35 Reduction D-Flange	108
Three Phase, 50/60 Hz, B34 Std C-Face	24
Three Phase, 50/60 Hz, B34/1 Increased C-Face	109
575V, Three Phase, 50/60 Hz, B3 Foot Mounted	49
575V, Three Phase, 50/60 Hz, B35 Std D-Flange	49
575V, Three Phase, 50/60 Hz, B35 Red. D-Flange	111
575V, Three Phase, 50/60 Hz, B34 Std C-Face	49
575V, Three Phase, 50/60 Hz, B34/1 Inc. C-Face	111
Large Frame, Three Phase, 50/60 Hz	27
ATEX-Certified Explosion Proof	27
Medium Voltage	29
Brake	27
Single Phase	27
Foreign Cooling	27
Increased Safety	27

Single Phase Motors

Rolled Steel, 56C, C-Face Foot Mounted	38
Rolled Steel, 56C, C-Face Round Body	39
Stainless Steel, 56C, C-Face Foot Mounted	42
Stainless Steel, 56C, C-Face Round Body	43
HT Rolled Steel, T-Frame, Foot Mounted	37
HT Rolled Steel, TC-Frame, C-Face Foot Mounted	37
IEC Metric, Single Phase	27

Rolled Steel Motors

56C, Single Phase, C-Face Foot Mounted	38
56C, Single Phase, C-Face Round Body	39
56C, Three Phase, C-Face Foot Mounted	40
56C, Three Phase, C-Face Round Body	41
T-Frame, Single Phase, Foot Mounted	37
TC-Frame, Single Phase, C-Face Foot Mounted	37

Washdown Motors

56C, Single Phase, C-Face Foot Mounted	42
56C, Single Phase, C-Face Round Body	43
56C, Three Phase, C-Face Foot Mounted	42
56C, Three Phase, C-Face Round Body	43
TC-Frame, Three Phase, C-Face Foot Mounted	44
TC-Frame, Three Phase, C-Face Round Body	45

Pump Motors

JM Pump, Three Phase, C-Face Foot Mounted	30
JP Pump, Three Phase, C-Face Foot Mounted	31
TEFC JM Pump for ODP Replacement	32
TEFC JP Pump for ODP Replacement	32
Design D Oil Well, Three Phase, Foot Mounted	33
575V, JM Pump, Three Phase, C-Face Foot Mounted	50
575V, JP Pump, Three Phase, C-Face Foot Mounted	50

Table of Contents – Continued

Crusher Duty

Three Phase, 60 Hz, TEFC, Foot Mounted 34

Brake Motors

Brake Motor, Three Phase, Foot Mounted 35
 Brake Motor, Three Phase, C-Face 36
 IEC Metric, Brake Motor 27
 575V, Brake Motor, Three Phase, Foot Mounted 51
 575V, Brake Motor, Three Phase, C-Face 51

575V Motors

575V, Performance, Three Phase, Foot Mounted ... 47
 575V, Performance, Three Phase, C-Face 47
 575V, Severe Duty, Three Phase, Foot Mounted 48
 575V, Severe Duty, Three Phase, C-Face 48
 575V, JM Pump, Three Phase, C-Face Foot Mounted . 50
 575V, JP Pump, Three Phase, C-Face Foot Mounted . 50
 575V, Brake Motor, Three Phase, Foot Mounted 51
 575V, Brake Motor, Three Phase, C-Face 51
 575V, IEC, Three Phase, 50/60 Hz, B3 Foot Mounted . 49
 575V, IEC, Three Phase, 50/60 Hz, B35 D-Flange 49
 575V, IEC, Three Phase, 50/60 Hz, B34 & B34/1 C-Face . 49

Medium Voltage

NEMA & Above NEMA, Medium Voltage 29
 IEC Metric, Medium Voltage 29

Advanced Capabilities

IEC Metric, Large Frame 27
 IEC Metric, ATEX-Certified Explosion Proof 27
 IEC Metric, Medium Voltage 29
 IEC Metric, Brake 27
 IEC Metric, Single Phase 27
 IEC Metric, Foreign Cooling 27
 IEC Metric, Increased Safety 27
 NEMA & Above NEMA, Medium Voltage 29
 Possible Supply Voltages 46

Spare Parts and Accessories

Premium Motor Parts 52
 Single Phase HT Rolled Steel Motor Parts 54
 EPACT Motor Parts 55
 Brake Motor Parts 56
 IEC Frame Metric Parts 57
 NEMA and IEC Frame
 Metric Accessories and Modifications 58

Technical Data

IEC and NEMA
 Dimensional Comparison and Bearing Chart 59
 Performance Data and Mounting Dimensions 60

General Information

Warranty and Sales Policies 101
 Frequently Asked Questions 102
 Part Number Nomenclature 104
 Catalog Notes Inside Back Cover
 Standards Inside Back Cover



Performance Premium Efficient – 1-400 HP 3PH TEFC 60 Hz NEMA AC Foot Mounted Motors

Applications: Ideal for a wide variety of industrial applications that require a premium efficient foot mounted motor, such as fans & blowers, pumps, conveyors, crushers, compressors, mixers and more.

Features

- Inverter Duty Rated: 10:1CT & 20:1VT
- Service Factor: up to 1.4
- Design: "B" or "A"
- Protection Degree: IP55
- Enclosure: TEFC rigid cast iron frame
- Motors meet NEMA premium efficiency requirements
- VPI applied for best electrical performance
- Oversized ball bearings on both ends
- Designed for horizontal and vertical application
- Low vibration level (below 0.08 in/sec)
- Dual rated for 190/380V 50 Hz (additional voltages available upon request)
- Class "F" insulation with rise at or below Class "B"
- PTC140 thermistors standard for 320 frame and up
- Space heaters standard 447 frame and up
- Motors 213T and larger suitable for wye/delta starting
- Impregnation resin and winding wire Class "H" (DN2E200)
- Stainless steel nameplate with connection diagram
- Efficiency tested according to IEEE112 Method B
- CSA-US certified, DOE approved, CE and NEMA Premium[®] marked
- Warranty: 3-Years

HP	RPM	Frame	EFF	PF	Voltage	Full Load Amps	Service Factor	NEMA Design	Net Weight	Footed Part Number	List Price	Notes ^(a)
1	1800	143T	85.5	78	208-230/460V	3.1-2.8/1.4	1.4	B	53	20NFM-3-1-18	490.00	3,4,22
	1200	145T	82.5	68	208-230/460V	3.8-3.4/1.7	1.4	B	55	20NFM-3-1-12	565.00	3,4,22
1.5	3600	143T	84.5	78	208-230/460V	4.6-4.2/2.1	1.4	B	56	20NFM-3-1.5-36	536.00	3,4,22
	1800	145T	87	79	208-230/460V	4.4-4/2	1.4	B	57	20NFM-3-1.5-18	523.00	3,4,22
	1200	182T	87.5	68	208-230/460V	5.3-4.8/2.4	1.4	B	85	20NFM-3-1.5-12	701.00	4,22
2	3600	145T	86	82	208-230/460V	6-5.4/2.7	1.4	B	57	20NFM-3-2-36	579.00	3,4,22
	1800	145T	86.5	83	208-230/460V	5.8-5.2/2.6	1.4	B	59	20NFM-3-2-18	575.00	3,4,22
	1200	184T	88.5	72	208-230/460V	6.6-6/3	1.4	B	98	20NFM-3-2-12	762.00	3,4,22
3	3600	182T	86.5	82	208-230/460V	8.8-8/4	1.4	B	76	20NFM-3-3-36	711.00	3,4,22
	1800	182T	89.5	75	208-230/460V	9.3-8.4/4.2	1.4	A	102	20NFM-3-3-18	645.00	3,4,22
	1200	213T	89.5	74	208-230/460V	9.3-8.4/4.2	1.4	B	205	20NFM-3-3-12	1,050.00	3,4,23
5	3600	184T	89	85	208-230/460V	13.7-12.4/6.2	1.4	A	102	20NFM-3-5-36	854.00	3,4,22
	1800	184T	89.5	78	208-230/460V	14.8-13.4/6.7	1.3	A	108	20NFM-3-5-18	757.00	3,4,22
	1200	215T	89.5	75	208-230/460V	15.5-14/7	1.3	B	220	20NFM-3-5-12	1,305.00	3,4,23
7.5	3600	213T	90	92	208-230/460V	18.8-17/8.5	1.3	A	159	20NFM-3-7.5-36	1,071.00	3,4,23
	1800	213T	91.7	82	208-230/460V	20.6-18.6/9.3	1.3	A	167	20NFM-3-7.5-18	1,046.00	3,4,23
	1200	254T	91	74	208-230/460V	23-20.8/10.4	1.3	A	321	20NFM-3-7.5-12	1,900.00	3,4,23
10	3600	215T	90.2	91	208-230/460V	25.2-22.8/11.4	1.3	A	173	20NFM-3-10-36	1,227.00	3,4,23
	1800	215T	91.7	82	208-230/460V	27.6-25/12.5	1.3	A	185	20NFM-3-10-18	1,216.00	3,4,23
	1200	256T	91	77	208-230/460V	29.6-26.8/13.4	1.3	A	363	20NFM-3-10-12	2,228.00	3,4,23
15	3600	254T	91.7	87	208-230/460V	38.9-35.2/17.6	1.3	B	258	20NFM-3-15-36	1,645.00	3,4,23
	1800	254T	92.4	88	208-230/460V	38.3-34.6/17.3	1.3	A	301	20NFM-3-15-18	1,737.00	3,4,23
	1200	284T	91.7	79	208-230/460V	43.1-39/19.5	1.3	A	371	20NFM-3-15-12	3,061.00	3,4,23
20	3600	256T	92	89	208-230/460V	50.6-45.8/22.9	1.3	B	306	20NFM-3-20-36	2,024.00	3,4,23
	1800	256T	93	88	208-230/460V	50.6-45.8/22.9	1.2	A	390	20NFM-3-20-18	2,069.00	3,4,23
	1200	286T	91.7	80	208-230/460V	56.4-51/25.5	1.2	A	421	20NFM-3-20-12	3,685.00	3,4,9,23

Performance Data & Mounting Dimensions: 20N Series Pages 60-64

Premium Efficient Motors

Motors can be modified from Footed to C-Face and vice versa.

^(a) See notes on inside back cover.

Performance Premium Efficient, 3-Phase, NEMA AC Foot Mounted Motors

HP	RPM	Frame	EFF	PF	Voltage	Full Load Amps	Service Factor	NEMA Design	Net Weight	Footed Part Number	List Price	Notes ^(a)
25	3600	284TS	92.4	86	208-230/460V	65.2-59/29.5	1.2	A	348	20NFM-3-25-36	2,508.00	3,4,9,23
	1800	284T	93.6	82	208-230/460V	67.5-61/30.5	1.2	A	397	20NFM-3-25-18	2,578.00	3,4,9,23
	1200	324T	93	80	208-230/460V	69.7-63/31.5	1.3	B	653	20NFM-3-25-12	4,736.00	3,9,13,16,23
30	3600	286TS	91.7	87	208-230/460V	77.8-70.4/35.2	1.2	A	390	20NFM-3-30-36	2,965.00	3,4,9,23
	1800	286T	93.6	80	208-230/460V	82.9-75/37.5	1.2	A	441	20NFM-3-30-18	2,997.00	3,4,9,23
	1200	326T	93	82	208-230/460V	81.8-74/37	1.3	B	681	20NFM-3-30-12	5,168.00	3,9,13,16,23
40	3600	324TS	93	92	208-230/460V	97.3-88/44	1.2	B	608	20NFM-3-40-36	5,073.00	9,13,16,23
	1800	324T	94.1	88	208-230/460V	99.5-90/45	1.3	B	690	20NFM-3-40-18	4,912.00	3,9,13,16,23
	1200	364T	94.1	82	208-230/460V	107.3-97/48.5	1.3	B	917	20NFM-3-40-12	6,795.00	9,13,16,23
50	3600	326TS	93	92	208-230/460V	121.6-110/55	1.2	B	655	20NFM-3-50-36	5,563.00	9,13,16,23
	1800	326T	94.5	88	208-230/460V	123.8-112/56	1.3	B	769	20NFM-3-50-18	5,367.00	9,13,16,23
	1200	365T	94.1	83	208-230/460V	132.7-120/60	1.3	B	970	20NFM-3-50-12	8,276.00	9,13,16,23
60	3600	364TS	93.6	92	208-230/460V	143.8-130/65	1.2	B	860	20NFM-3-60-36	7,422.00	9,13,16,23
	1800	364T	95	88	208-230/460V	148.2-134/67	1.2	B	926	20NFM-3-60-18	6,872.00	9,13,16,23
	1200	404T	94.5	82	208-230/460V	159.2-144/72	1.3	B	1127	20NFM-3-60-12	9,762.00	9,13,16,23
75	3600	365TS	94.1	92	208-230/460V	179.1-162/81	1.2	B	933	20NFM-3-75-36	8,728.00	9,13,16,23
	1800	365T	95.4	88	208-230/460V	185.8-168/84	1.2	B	1012	20NFM-3-75-18	8,270.00	9,13,16,23
	1200	405T	94.5	82	208-230/460V	201.3-182/91	1.2	B	1210	20NFM-3-75-12	11,214.00	9,13,16,23
100	3600	405TS	95.4	90	208-230/460V	241.1-218/109	1.2	B	1058	20NFM-3-100-36	10,794.00	9,13,16,23
	1800	405T	95.4	91	208-230/460V	238.8-216/108	1.2	B	1241	20NFM-3-100-18	11,105.00	3,9,13,16,23
	1200	444T	95	80	208-230/460V	272-246/123	1.2	B	1726	20NFM-3-100-12	14,537.00	9,13,16,23
125	3600	444TS	95.4	92	460V	133	1.2	B	1488	20NFM-3-125-36	14,758.00	9,13,16,21,24
	1800	444T	95.8	90	460V	136	1.2	B	1662	20NFM-3-125-18	14,158.00	9,13,16,21,24
	1200	445T	95.4	80	460V	153	1.2	B	1931	20NFM-3-125-12	16,691.00	9,13,16,21,24
150	3600	445TS	95.8	92	460V	159	1.2	B	1594	20NFM-3-150-36	17,227.00	9,13,16,21,24
	1800	445T	95.8	91	460V	161	1.2	B	1823	20NFM-3-150-18	16,723.00	9,13,16,21,24
200	3600	447TS	95.8	93	460V	210	1.2	B	2161	20NFM-3-200-36	20,442.00	13,16,21,24
	1800	447T	96.5	89	460V	218	1.2	B	2310	20NFM-3-200-18	20,239.00	13,16,21,24
250	3600	447TS	96.2	93	460V	261	1.2	B	2271	20NFM-3-250-36	22,185.00	9,13,16,21,24
	1800	447T	96.2	91	460V	267	1.2	B	2447	20NFM-3-250-18	23,377.00	9,13,16,21,24
	1200	449T	95.0	81	460V	304	1.15	C ⁽¹⁾	2645	40NFM-3-250-12	33,904.00	4,9,16,21,24,30
300	3600	447TS	95.5	92	460V	320	1.0	B	2271	20NFM-3-300-36	24,403.00	4,9,13,16,21,24,30
	1800	447T	95.9	90	460V	325	1.0	B	2447	20NFM-3-300-18	25,715.00	4,9,13,16,21,24,30
	1800	449T	95.4	87	460V	338	1.15	C ⁽¹⁾	2665	40NFM-3-300-18	31,682.00	4,9,16,21,24,30
	1200	449T	95.0	81	460V	365	1.15	C ⁽¹⁾	2830	40NFM-3-300-12	34,904.00	4,9,16,21,24,30
350	1800	449T	95.4	87	460V	395	1.15	C ⁽¹⁾	2830	40NFM-3-350-18	33,128.00	4,9,16,21,24,30
400	1800	449T	95.2	87	460V	452	1.0	C ⁽¹⁾	2830	40NFM-3-400-18	34,526.00	4,9,16,21,24,30

Performance Data & Mounting Dimensions: 20N Series Pages 60-64

Premium Efficient Motors

Motors can be modified from Footed to C-Face and vice versa.

⁽¹⁾ Design C motors are modified from equivalent Crusher Series (40NFC) on request.

^(a) See notes on inside back cover.



Performance Premium Efficient – 1-400 HP 3PH TEFC 60 Hz NEMA AC C-Face Motors

Applications: Ideal for a wide variety of industrial applications that require a premium efficient foot mounted motor, such as fans & blowers, pumps, conveyors, crushers, compressors, mixers and more.

Features

- Inverter Duty Rated: 10:1CT & 20:1VT
- Service Factor: up to 1.4
- Design: "B" or "A"
- Protection Degree: IP55
- Enclosure: TEFC rigid cast iron frame
- Motors meet NEMA premium efficiency requirements
- VPI applied for best electrical performance
- Oversized ball bearings on both ends
- Designed for horizontal and vertical application
- Low vibration level (below 0.08 in/sec)
- Dual rated for 190/380V 50 Hz (additional voltages available upon request)
- Class "F" insulation with rise at or below Class "B"
- PTC140 thermistors standard for 320 frame and up
- Space heaters standard 447 frame and up
- Motors 213T and larger suitable for wye/delta starting
- Impregnation resin and winding wire Class "H" (DN2E200)
- Stainless steel nameplate with connection diagram
- Efficiency tested according to IEEE112 Method B
- CSA-US certified, DOE approved, CE and NEMA Premium® marked
- Warranty: 3-Years

HP	RPM	Frame	EFF	PF	Voltage	Full Load Amps	Service Factor	NEMA Design	Net Weight	C-Face Part Number	List Price	Notes ^(a)
1	1800	143TC	85.5	78	208-230/460V	3.1-2.8/1.4	1.4	B	53	20NCM-3-1-18	531.00	3,4,22
	1200	145TC	82.5	68	208-230/460V	3.8-3.4/1.7	1.4	B	55	20NCM-3-1-12	612.00	3,4,22
1.5	3600	143TC	84.5	78	208-230/460V	4.6-4.2/2.1	1.4	B	56	20NCM-3-1.5-36	580.00	3,4,22
	1800	145TC	87	79	208-230/460V	4.4-4/2	1.4	B	57	20NCM-3-1.5-18	567.00	3,4,22
	1200	182TC	87.5	68	208-230/460V	5.3-4.8/2.4	1.4	B	85	20NCM-3-1.5-12	759.00	4,22
2	3600	145TC	86	82	208-230/460V	6-5.4/2.7	1.4	B	57	20NCM-3-2-36	627.00	3,4,22
	1800	145TC	86.5	83	208-230/460V	5.8-5.2/2.6	1.4	B	59	20NCM-3-2-18	623.00	3,4,22
	1200	184TC	88.5	72	208-230/460V	6.6-6/3	1.4	B	98	20NCM-3-2-12	825.00	3,4,22
3	3600	182TC	86.5	82	208-230/460V	8.8-8/4	1.4	B	76	20NCM-3-3-36	770.00	3,4,22
	1800	182TC	89.5	75	208-230/460V	9.3-8.4/4.2	1.4	A	102	20NCM-3-3-18	682.00	3,4,22
	1200	213TC	89.5	74	208-230/460V	9.3-8.4/4.2	1.4	B	205	20NCM-3-3-12	1,137.00	3,4,23
5	3600	184TC	89	85	208-230/460V	13.7-12.4/6.2	1.4	A	102	20NCM-3-5-36	925.00	3,4,22
	1800	184TC	89.5	78	208-230/460V	14.8-13.4/6.7	1.3	A	108	20NCM-3-5-18	819.00	3,4,22
	1200	215TC	89.5	75	208-230/460V	15.5-14/7	1.3	B	220	20NCM-3-5-12	1,414.00	3,4,23
7.5	3600	213TC	90	92	208-230/460V	18.8-17/8.5	1.3	A	159	20NCM-3-7.5-36	1,160.00	3,4,23
	1800	213TC	91.7	82	208-230/460V	20.6-18.6/9.3	1.3	A	167	20NCM-3-7.5-18	1,120.00	3,4,23
	1200	254TC	91	74	208-230/460V	23-20.8/10.4	1.3	A	321	20NCM-3-7.5-12	2,057.00	3,4,23
10	3600	215TC	90.2	91	208-230/460V	25.2-22.8/11.4	1.3	A	173	20NCM-3-10-36	1,329.00	3,4,23
	1800	215TC	91.7	82	208-230/460V	27.6-25/12.5	1.3	A	185	20NCM-3-10-18	1,310.00	3,4,23
	1200	256TC	91	77	208-230/460V	29.6-26.8/13.4	1.3	A	363	20NCM-3-10-12	2,413.00	3,4,23
15	3600	254TC	91.7	87	208-230/460V	38.9-35.2/17.6	1.3	B	258	20NCM-3-15-36	1,782.00	3,4,23
	1800	254TC	92.4	88	208-230/460V	38.3-34.6/17.3	1.3	A	301	20NCM-3-15-18	1,881.00	3,4,23
	1200	284TC	91.7	79	208-230/460V	43.1-39/19.5	1.3	A	371	20NCM-3-15-12	3,315.00	3,4,23
20	3600	256TC	92	89	208-230/460V	50.6-45.8/22.9	1.3	B	306	20NCM-3-20-36	2,192.00	3,4,23
	1800	256TC	93	88	208-230/460V	50.6-45.8/22.9	1.2	A	390	20NCM-3-20-18	2,241.00	3,4,23
	1200	286TC	91.7	80	208-230/460V	56.4-51/25.5	1.2	A	421	20NCM-3-20-12	3,990.00	3,4,9,23

Performance Data & Mounting Dimensions: 20N Series Pages 60-64

Premium Efficient Motors

Motors can be modified from Footed to C-Face and vice versa.

^(a) See notes on inside back cover.

Performance Premium Efficient, 3-Phase, NEMA AC C-Face Motors

HP	RPM	Frame	EFF	PF	Voltage	Full Load Amps	Service Factor	NEMA Design	Net Weight	C-Face Part Number	List Price	Notes ^(a)
25	3600	284TSC	92.4	86	208-230/460V	65.2-59/29.5	1.2	A	348	20NCM-3-25-36	2,716.00	3,4,9,23
	1800	284TC	93.6	82	208-230/460V	67.5-61/30.5	1.2	A	397	20NCM-3-25-18	2,792.00	3,4,9,23
	1200	324TC	93	80	208-230/460V	69.7-63/31.5	1.3	B	653	20NCM-3-25-12	5,129.00	3,9,13,16,23
30	3600	286TSC	91.7	87	208-230/460V	77.8-70.4/35.2	1.2	A	390	20NCM-3-30-36	3,211.00	3,4,9,23
	1800	286TC	93.6	80	208-230/460V	82.9-75/37.5	1.2	A	441	20NCM-3-30-18	3,246.00	3,4,9,23
	1200	326TC	93	82	208-230/460V	81.8-74/37	1.3	B	681	20NCM-3-30-12	5,596.00	3,9,13,16,23
40	3600	324TSC	93	92	208-230/460V	97.3-88/44	1.2	B	608	20NCM-3-40-36	5,494.00	9,13,16,23
	1800	324TC	94.1	88	208-230/460V	99.5-90/45	1.3	B	690	20NCM-3-40-18	5,319.00	3,9,13,16,23
	1200	364TC	94.1	82	208-230/460V	107.3-97/48.5	1.3	B	917	20NCM-3-40-12	7,359.00	9,13,16,23
50	3600	326TSC	93	92	208-230/460V	121.6-110/55	1.2	B	655	20NCM-3-50-36	6,025.00	9,13,16,23
	1800	326TC	94.5	88	208-230/460V	123.8-112/56	1.3	B	769	20NCM-3-50-18	5,813.00	9,13,16,23
	1200	365TC	94.1	83	208-230/460V	132.7-120/60	1.3	B	970	20NCM-3-50-12	8,963.00	9,13,16,23
60	3600	364TSC	93.6	92	208-230/460V	143.8-130/65	1.2	B	860	20NCM-3-60-36	8,038.00	9,13,16,23
	1800	364TC	95	88	208-230/460V	148.2-134/67	1.2	B	926	20NCM-3-60-18	7,442.00	9,13,16,23
	1200	404TC	94.5	82	208-230/460V	159.2-144/72	1.3	B	1127	20NCM-3-60-12	10,572.00	9,13,16,23
75	3600	365TSC	94.1	92	208-230/460V	179.1-162/81	1.2	B	933	20NCM-3-75-36	9,452.00	9,13,16,23
	1800	365TC	95.4	88	208-230/460V	185.8-168/84	1.2	B	1012	20NCM-3-75-18	8,956.00	9,13,16,23
	1200	405TC	94.5	82	208-230/460V	201.3-182/91	1.2	B	1210	20NCM-3-75-12	12,145.00	9,13,16,23
100	3600	405TSC	95.4	90	208-230/460V	241.1-218/109	1.2	B	1058	20NCM-3-100-36	11,690.00	9,13,16,23
	1800	405TC	95.4	91	208-230/460V	238.8-216/108	1.2	B	1241	20NCM-3-100-18	12,026.00	3,9,13,16,23
	1200	444TC	95	80	208-230/460V	272-246/123	1.2	B	1726	20NCM-3-100-12	15,743.00	9,13,16,23
125	3600	444TSC	95.4	92	460V	133	1.2	B	1488	20NCM-3-125-36	15,983.00	9,13,16,21,24
	1800	444TC	95.8	90	460V	136	1.2	B	1662	20NCM-3-125-18	15,333.00	9,13,16,21,24
	1200	445TC	95.4	80	460V	153	1.2	B	1931	20NCM-3-125-12	18,076.00	9,13,16,21,24
150	3600	445TSC	95.8	92	460V	159	1.2	B	1594	20NCM-3-150-36	18,657.00	9,13,16,21,24
	1800	445TC	95.8	91	460V	161	1.2	B	1823	20NCM-3-150-18	18,111.00	9,13,16,21,24
200	3600	447TSC	95.8	93	460V	210	1.2	B	2161	20NCM-3-200-36	22,138.00	13,16,21,24
	1800	447TC	96.5	89	460V	218	1.2	B	2310	20NCM-3-200-18	21,918.00	13,16,21,24
250	3600	447TSC	96.2	93	460V	261	1.2	B	2271	20NCM-3-250-36	24,026.00	9,13,16,21,24
	1800	447TC	96.2	91	460V	267	1.2	B	2447	20NCM-3-250-18	25,317.00	9,13,16,21,24
	1200	449TC	95.0	81	460V	304	1.15	C ⁽¹⁾	2645	40NCM-3-250-12	35,749.00	4,9,16,21,24,30
300	3600	447TSC	95.5	92	460V	320	1.0	B	2271	20NCM-3-300-36	26,429.00	4,9,13,16,21,24,30
	1800	447TC	95.9	90	460V	325	1.0	B	2447	20NCM-3-300-18	27,849.00	4,9,13,16,21,24,30
	1800	449TC	95.4	87	460V	338	1.15	C ⁽¹⁾	2665	40NCM-3-300-18	33,527.00	4,9,16,21,24,30
	1200	449TC	95.0	81	460V	365	1.15	C ⁽¹⁾	2830	40NCM-3-300-12	36,749.00	4,9,16,21,24,30
350	1800	449TC	95.4	87	460V	395	1.15	C ⁽¹⁾	2830	40NCM-3-350-18	34,973.00	4,9,16,21,24,30
400	1800	449TC	95.2	87	460V	452	1.0	C ⁽¹⁾	2830	40NCM-3-400-18	36,371.00	4,9,16,21,24,30

Performance Data & Mounting Dimensions: 20N Series Pages 60-64

Premium Efficient Motors

Motors can be modified from Footed to C-Face and vice versa.

⁽¹⁾ Design C motors are modified from equivalent Crusher Series (40NFC) on request.

^(a) See notes on inside back cover.



All-Purpose Premium Efficient – 1-250 HP 3PH TEFC 60 Hz NEMA AC Foot Mounted Motors

Applications: Ideal for a wide variety of industrial applications that require a premium efficient foot mounted motor, such as fans & blowers, pumps, conveyors, crushers, compressors, mixers and more.

Features

- Inverter Duty Rated: 10:1CT & 20:1VT
- Service Factor: up to 1.25
- Design: "B"
- Protection Degree: IP55
- Enclosure: TEFC
- Motors meet NEMA premium efficiency requirements
- Dual rated for 190/380V 50 Hz
- Class "F" insulation with rise at or below Class "B"
- Motors 213T and larger suitable for wye/delta starting
- Rigid cast iron construction
- Designed for horizontal applications
- High Starting Torque meets Design "C" on most sizes
- F1/F2 convertible
- CSA-US certified, CE marked and DOE approved
- 31N Series is NEMA Premium® marked
- Stainless steel nameplate with connection diagram
- Efficiency tested according to IEEE112 Method B
- Warranty: 3-Years

31N and 32N Series formerly branded as Elektrimax.
See page 1 for details.

HP	RPM	Frame	EFF	PF	Voltage	Full Load Amps	Service Factor	NEMA Design	Net Weight	Footed Part Number	List Price	Notes ^(a)
1	3600	143T	84	84	208-230/460V	4.4-4/2	1.2	B	55	32NFM-3-1-36	422.00	V,6,8,10,22
	1800	143T	86.5	78	208-230/460V	3.1-2.8/1.4	1.25	B	52	31NFM-3-1-18	411.00	1,2,5,10,22
		143T	85.5	78	208-230/460V	3.1-2.8/1.4	1.2	B	52	32NFM-3-1-18	317.00	V,3,6,8,10,22
	1200	145T	84	66	208-230/460V	3.8-3.4/1.7	1.25	B	58	31NFM-3-1-12	505.00	1,2,5,9,10,22
		145T	82.5	68	208-230/460V	3.7-3.4/1.7	1.2	B	55	32NFM-3-1-12	360.00	V,3,6,8,9,10,22
900	182T	84	60	208-230/460V	4.2-3.8/1.9	1.15	B	96	31NFM-3-1-9	1,080.00	1,2,3,5,10,22	
1.5	3600	143T	85.5	88.5	208-230/460V	4.2-3.8/1.9	1.25	B	52	31NFM-3-1.5-36	440.00	1,2,3,5,10,22
		143T	84	84	208-230/460V	4.4-4/2	1.2	B	55	32NFM-3-1.5-36	322.00	V,3,6,8,10,22
	1800	145T	87.5	78.5	208-230/460V	4.6-4.2/2.1	1.25	B	58	31NFM-3-1.5-18	461.00	1,2,3,5,9,10,22
		145T	86.5	78	208-230/460V	4.6-4.2/2.1	1.2	B	61	32NFM-3-1.5-18	342.00	V,3,6,8,9,10,22
	1200	182T	87.5	68	208-230/460V	5.3-4.8/2.4	1.25	B	97	31NFM-3-1.5-12	580.00	1,2,3,5,10,22
		182T	87.5	75	208-230/460V	4.7-4.2/2.1	1.2	B	88	32NFM-3-1.5-12	580.00	V,3,6,8,10,22
900	184T	84	60.5	208-230/460V	6.2-5.6/2.8	1.15	B	106	31NFM-3-1.5-9	1,329.00	1,2,3,5,9,10,22	
2	3600	145T	86.5	89	208-230/460V	5.5-5/2.5	1.25	B	60	31NFM-3-2-36	492.00	1,2,3,5,9,10,22
		145T	85.5	85	208-230/460V	5.7-5.2/2.6	1.2	B	63	32NFM-3-2-36	446.00	V,3,6,8,9,10,22
	1800	145T	87.5	78	208-230/460V	6.2-5.6/2.8	1.25	B	58	31NFM-3-2-18	497.00	1,2,3,5,9,10,22
		145T	86.5	78	208-230/460V	6.1-5.6/2.8	1.2	B	63	32NFM-3-2-18	373.00	V,6,8,9,10,22
	1200	184T	88.5	73	208-230/460V	6.4-5.8/2.9	1.25	B	109	31NFM-3-2-12	677.00	1,2,3,5,9,10,22
		184T	88.5	75	208-230/460V	6.2-5.6/2.8	1.2	B	94	32NFM-3-2-12	639.00	V,3,6,8,9,10,22
900	213T	85.5	71	208-230/460V	6.9-6.2/3.1	1.15	B	168	31NFM-3-2-9	1,548.00	1,2,3,5,10,23	
3	3600	182T	88.5	90	208-230/460V	8-7.2/3.6	1.25	B	90	31NFM-3-3-36	618.00	1,2,3,5,10,22
		182T	86.5	87	208-230/460V	8.3-7.4/3.7	1.2	B	90	32NFM-3-3-36	491.00	V,3,6,8,10,22
	1800	182T	90.2	81	208-230/460V	8.6-7.8/3.9	1.25	B	93	31NFM-3-3-18	607.00	1,2,3,5,10,22
		182T	89.5	86	208-230/460V	8.1-7.2/3.6	1.2	B	94	32NFM-3-3-18	605.00	V,6,8,10,22
	1200	213T	89.5	75	208-230/460V	9.5-8.6/4.3	1.25	B	156	31NFM-3-3-12	860.00	1,2,3,5,10,23
		213T	89.5	75	208-230/460V	9.3-8.4/4.2	1.2	B	144	32NFM-3-3-12	745.00	V,6,8,10,22
900	215T	85.5	72.5	208-230/460V	10.2-9.2/4.6	1.15	B	192	31NFM-3-3-9	2,009.00	1,2,3,5,9,10,23	

Performance Data & Mounting Dimensions: 31N Series Pages 65-68, 32N Series Pages 69-71

Premium Efficient Motors

Non-stock item may be available in limited supply or by special order. Contact Elektrim at 855-Go-Elektrim or support@elektrimotors.com for details. Motors can be modified from Footed to C-Face and vice versa.

^(a) See notes on inside back cover.

All-Purpose Premium Efficient, 3-Phase, NEMA AC Foot Mounted Motors

HP	RPM	Frame	EFF	PF	Voltage	Full Load Amps	Service Factor	NEMA Design	Net Weight	Footed Part Number	List Price	Notes ^(a)
5	3600	184T	90.2	90.5	208-230/460V	12.8-11.6/5.8	1.25	B	106	31NFM-3-5-36	708.00	1,2,3,5,9,10,23
		184T	88.5	88	208-230/460V	13.3-12/6	1.2	B	99	32NFM-3-5-36	594.00	V,3,6,8,9,10,23
	1800	184T	90.2	82.5	208-230/460V	14.2-12.8/6.4	1.25	B	106	31NFM-3-5-18	684.00	1,2,3,5,9,10,23
		184T	89.5	86	208-230/460V	13.5-12.2/6.1	1.2	B	101	32NFM-3-5-18	650.00	V,6,8,9,10,23
	1200	215T	89.5	78	208-230/460V	15.3-13.8/6.9	1.25	B	192	31NFM-3-5-12	1,156.00	1,2,3,5,9,10,23
		215T	89.5	76	208-230/460V	15.2-13.8/6.9	1.2	B	155	32NFM-3-5-12	784.00	V,6,8,9,10,22
7.5	3600	254T	89.5	70	208-230/460V	16.6-15/7.5	1.15	B	290	31NFM-3-5-9	2,758.00	1,2,3,5,10,23
		213T	90.2	88	208-230/460V	19.9-18/9	1.25	B	162	31NFM-3-7.5-36	1,005.00	1,2,3,5,10,23
	213T	89.5	88	208-230/460V	19.7-17.8/8.9	1.2	B	155	32NFM-3-7.5-36	869.00	V,3,6,8,10,23	
	1800	213T	91.7	86	208-230/460V	20.1-18.2/9.1	1.25	B	168	31NFM-3-7.5-18	995.00	1,2,5,10,23
		213T	91.7	85	208-230/460V	19.9-18/9	1.2	B	162	32NFM-3-7.5-18	905.00	V,6,8,10,23
	1200	254T	91.7	77	208-230/460V	22.3-20.2/10.1	1.25	B	282	31NFM-3-7.5-12	1,626.00	1,2,3,5,10,23
254T		91	75	208-230/460V	22.8-20.6/10.3	1.2	B	260	32NFM-3-7.5-12	1,610.00	V,6,8,10,23	
10	3600	256T	89.5	70.5	208-230/460V	25-22.6/11.3	1.15	B	325	31NFM-3-7.5-9	3,528.00	1,2,3,5,9,10,23
		215T	91.7	89	208-230/460V	25.4-23/11.5	1.25	B	185	31NFM-3-10-36	1,112.00	1,2,3,5,9,10,23
	215T	90.2	88	208-230/460V	26.1-23.6/11.8	1.2	B	175	32NFM-3-10-36	950.00	V,6,8,9,10,23	
	1800	215T	91.7	87	208-230/460V	26.3-23.8/11.9	1.25	B	192	31NFM-3-10-18	1,158.00	1,2,5,9,10,23
		215T	91.7	85	208-230/460V	26.6-24/12	1.2	B	184	32NFM-3-10-18	1,006.00	V,3,6,8,9,10,23
	1200	256T	91.7	79	208-230/460V	29.2-26.4/13.2	1.25	B	310	31NFM-3-10-12	1,977.00	1,2,3,5,9,10,23
256T		91	75	208-230/460V	30.3-27.4/13.7	1.2	B	302	32NFM-3-10-12	1,547.00	V,3,6,8,9,10,23	
15	3600	284T	91	70	208-230/460V	33.2-30/15	1.15	B	445	31NFM-3-10-9	4,111.00	1,2,3,5,10,23
		254T	91	91	208-230/460V	38.3-34.6/17.3	1.25	B	300	31NFM-3-15-36	1,657.00	1,2,3,5,10,23
	254T	91	89	208-230/460V	38.4-34.6/17.3	1.2	B	264	32NFM-3-15-36	1,505.00	V,6,8,10,23	
	1800	254T	92.4	83	208-230/460V	40.9-37/18.5	1.25	B	300	31NFM-3-15-18	1,640.00	1,2,3,5,10,23
		254T	92.4	85	208-230/460V	39.5-35.8/17.9	1.2	B	288	32NFM-3-15-18	1,559.00	V,3,6,8,10,23
	1200	284T	92.4	80	208-230/460V	42.9-38.8/19.4	1.25	B	390	31NFM-3-15-12	2,610.00	1,2,3,5,10,23
284T		91.7	81	208-230/460V	41.8-37.8/18.9	1.2	B	392	32NFM-3-15-12	2,007.00	V,6,8,10,23	
20	3600	286T	91.7	73	208-230/460V	46.9-42.4/21.2	1.15	B	475	31NFM-3-15-9	5,685.00	1,2,3,5,9,10,23
		256T	91	91	208-230/460V	50.9-46/23	1.25	B	325	31NFM-3-20-36	2,011.00	1,2,3,5,9,10,23
	256T	91	89	208-230/460V	51.1-46.2/23.1	1.2	B	295	32NFM-3-20-36	2,011.00	V,3,6,8,9,10,23	
	1800	256T	93	83.5	208-230/460V	54.2-49/24.5	1.25	B	330	31NFM-3-20-18	1,980.00	1,2,3,5,9,10,23
		256T	93	85	208-230/460V	52.4-47.4/23.7	1.2	B	341	32NFM-3-20-18	1,834.00	V,3,6,8,9,10,23
	1200	286T	92.4	81	208-230/460V	56.4-51/25.5	1.15	B	475	31NFM-3-20-12	3,405.00	1,2,3,5,9,10,23
286T		91.7	81	208-230/460V	55.8-50.4/25.2	1.2	B	454	32NFM-3-20-12	2,884.00	V,6,8,9,10,23	
25	3600	324T	91.7	73	208-230/460V	62.6-56.6/28.3	1.15	B	650	31NFM-3-20-9	6,569.00	1,2,3,5,10,23
		284TS	91.7	90.5	208-230/460V	63.5-57.4/28.7	1.15	B	410	31NFM-3-25-36	2,559.00	1,2,3,5,10,23
	284TS	91.7	90	208-230/460V	62.7-56.8/28.4	1.2	B	414	32NFM-3-25-36	2,559.00	V,3,6,8,10,23	
	1800	284T	93.6	84	208-230/460V	66.3-60/30	1.15	B	410	31NFM-3-25-18	2,420.00	1,2,3,5,10,23
		284T	93.6	87	208-230/460V	63.6-57.4/28.7	1.2	B	432	32NFM-3-25-18	2,356.00	V,3,6,8,10,23
	1200	324T	93	85	208-230/460V	66.8-60.4/30.2	1.15	B	550	31NFM-3-25-12	3,750.00	1,2,3,5,10,23
324T		93	82	208-230/460V	67.9-61.4/30.7	1.2	B	549	32NFM-3-25-12	2,828.00	V,6,8,23	
30	3600	326T	91.7	73	208-230/460V	78.5-71/35.5	1.15	B	716	31NFM-3-25-9	7,774.00	1,2,3,5,9,10,23
		286TS	92.4	91	208-230/460V	75.4-68.2/34.1	1.15	B	450	31NFM-3-30-36	2,901.00	1,2,3,5,9,10,23
	286TS	91.7	90	208-230/460V	75.3-68/34	1.2	B	441	32NFM-3-30-36	1,978.00	V,6,8,9,10,23	
	1800	286T	93.6	84	208-230/460V	79.6-72/36	1.15	B	475	31NFM-3-30-18	2,851.00	1,2,3,5,9,10,23
		286T	93.6	87	208-230/460V	76.3-69/34.5	1.2	B	474	32NFM-3-30-18	2,553.00	V,3,6,8,9,10,23
	1200	326T	93	85.5	208-230/460V	79.6-72/36	1.15	B	616	31NFM-3-30-12	4,351.00	1,2,3,5,9,10,23
326T		93	82	208-230/460V	81.5-73.6/36.8	1.2	B	597	32NFM-3-30-12	4,190.00	V,6,8,9,23	
900	364T	92.4	74	208-230/460V	92-83.2/41.6	1.15	B	850	31NFM-3-30-9	9,157.00	1,2,3,5,10,23	

Performance Data & Mounting Dimensions: 31N Series Pages 65-68, 32N Series Pages 69-71

Premium Efficient Motors

Non-stock item may be available in limited supply or by special order. Contact Elektrim at 855-Go-Elektrim or support@elektrimmotors.com for details. Motors can be modified from Footed to C-Face and vice versa.

^(a) See notes on inside back cover.

All-Purpose Premium Efficient, 3-Phase, NEMA AC Foot Mounted Motors

HP	RPM	Frame	EFF	PF	Voltage	Full Load Amps	Service Factor	NEMA Design	Net Weight	Footed Part Number	List Price	Notes ^(a)
40	3600	324TS	93	88	208-230/460V	103.3-93.4/46.7	1.15	B	630	31NFM-3-40-36	3,705.00	1,2,3,5,10,23
		324TS	92.4	90	208-230/460V	99.6-90/45	1.2	B	544	32NFM-3-40-36	3,046.00	V,6,8,23
	1800	324T	95	84.5	208-230/460V	104.8-94.8/47.4	1.15	B	600	31NFM-3-40-18	3,651.00	1,2,3,5,10,23
		324T	94.1	88	208-230/460V	100-90.4/45.2	1.2	B	590	32NFM-3-40-18	3,651.00	V,6,8,23
	1200	364T	94.5	84	208-230/460V	106.2-96/48	1.15	B	850	31NFM-3-40-12	5,712.00	1,2,5,10,23
		364T	94.1	86	208-230/460V	102.4-92.6/46.3	1.2	B	787	32NFM-3-40-12	5,587.00	V,6,8,23
900	365T	92.4	76	208-230/460V	119.4-108/54	1.15	B	960	31NFM-3-40-9	11,344.00	1,2,3,5,9,10,23	
50	3600	326TS	93.6	88.5	208-230/460V	126.1-114/57	1.15	B	650	31NFM-3-50-36	4,452.00	1,2,3,5,9,10,23
		326TS	93	90	208-230/460V	123.7-111.8/55.9	1.2	B	619	32NFM-3-50-36	4,452.00	V,6,8,9,23
	1800	326T	95	84.5	208-230/460V	130.5-118/59	1.15	B	716	31NFM-3-50-18	4,351.00	1,2,3,5,9,10,23
		326T	94.5	88	208-230/460V	124.5-112.6/56.3	1.2	B	683	32NFM-3-50-18	4,351.00	V,6,8,9,23
	1200	365T	94.5	84	208-230/460V	132.7-120/60	1.15	B	960	31NFM-3-50-12	6,414.00	1,2,5,9,10,23
		365T	94.1	86	208-230/460V	127.9-115.8/57.9	1.2	B	864	32NFM-3-50-12	6,414.00	V,6,8,9,23
900	404T	93	76	208-230/460V	148.2-134/67	1.15	B	1402	31NFM-3-50-9	12,865.00	1,2,3,5,10,23	
60	3600	364TS	93.6	90	208-230/460V	147.5-133.4/66.7	1.2	B	793	32NFM-3-60-36	6,206.00	V,6,8,23
		364T	95	84	208-230/460V	158.1-143/71.5	1.15	B	850	31NFM-3-60-18	6,388.00	1,2,3,5,10,23
	1800	364T	95	87	208-230/460V	150.3-136/68	1.2	B	842	32NFM-3-60-18	5,414.00	V,6,8,23
		404T	94.5	86	208-230/460V	152.9-138.2/69.1	1.2	B	992	32NFM-3-60-12	8,347.00	V,6,8,23
75	3600	365TS	93.6	90	208-230/460V	184.4-166.8/83.4	1.2	B	859	32NFM-3-75-36	6,885.00	V,6,8,9,23
		365T	95.4	84	208-230/460V	199-180/90	1.15	B	935	31NFM-3-75-18	8,112.00	1,2,3,5,10,23
	1800	365T	95.4	87	208-230/460V	187.1-169.2/84.6	1.2	B	941	32NFM-3-75-18	6,347.00	V,6,8,9,23
		405T	94.5	86	208-230/460V	191.1-172.8/86.4	1.2	B	1151	32NFM-3-75-12	8,509.00	V,6,8,9,23
100	3600	405TS	94.1	91	208-230/460V	241.8-218.6/109.3	1.2	B	1120	32NFM-3-100-36	8,496.00	V,6,8,9,23
		405T	95.4	83	208-230/460V	265.4-240/120	1.15	B	1488	31NFM-3-100-18	10,182.00	1,2,3,5,10,23
	1800	405T	95.4	87	208-230/460V	249.5-225.6/112.8	1.2	B	1173	32NFM-3-100-18	9,152.00	V,6,8,9,23
		444T	95	86	460V	114.6	1.2	B	1455	32NFM-3-100-12	12,801.00	V,7,8,9,24
125	3600	444TS	95	86.5	230/460V	290/145	1.15	B	1852	31NFM-3-125-36	14,851.00	1,2,5,10,23
		444TS	95	91	460V	135.4	1.2	B	1334	32NFM-3-125-36	13,428.00	V,7,8,24
	1800	444T	95.4	88	460V	139.4	1.2	B	1433	32NFM-3-125-18	12,375.00	V,7,8,24
		445T	95	86	460V	143.3	1.2	B	1587	32NFM-3-125-12	14,465.00	V,7,8,9,21,24
150	3600	445TS	95	91	460V	162.5	1.2	B	1488	32NFM-3-150-36	16,274.00	V,7,8,9,21,24
	1800	445T	95.8	88	460V	166.6	1.2	B	1565	32NFM-3-150-18	14,618.00	V,7,8,9,21,24
	1200	447T	95.8	86	460V	170.5	1.2	B	1885	32NFM-3-150-12	17,790.00	V,7,8,9,21,24
200	3600	447TS	95.4	92	460V	213.4	1.2	B	1686	32NFM-3-200-36	18,268.00	V,7,8,9,21,24
	1800	449T	96.2	88	460V	221.2	1.2	B	1907	32NFM-3-200-18	17,428.00	V,7,8,9,21,24
	1200	449T	95.8	86	460V	227.3	1.2	B	2182	32NFM-3-200-12	20,151.00	V,7,8,9,21,24
250	3600	449TS	95.8	92	460V	265.6	1.2	B	2048	32NFM-3-250-36	22,831.00	V,7,8,9,21,24
	1800	449T	96.2	88	460V	276.5	1.2	B	1872	32NFM-3-250-18	21,458.00	V,7,8,9,21,24

Performance Data & Mounting Dimensions: 31N Series Pages 65-68, 32N Series Pages 69-71

Premium Efficient Motors

Non-stock item may be available in limited supply or by special order. Contact Elektrim at 855-Go-Elektrim or support@elektrimmotors.com for details. Motors can be modified from Footed to C-Face and vice versa.

^(a) See notes on inside back cover.



All-Purpose Premium Efficient – 1-250 HP 3PH TEFC 60 Hz NEMA AC C-Face Motors

Applications: Ideal for a wide variety of industrial applications that require a premium efficient foot mounted motor, such as fans & blowers, pumps, conveyors, crushers, compressors, mixers and more.

Features

- Inverter Duty Rated: 10:1CT & 20:1VT
- Service Factor: up to 1.25
- Design: "B"
- Protection Degree: IP55
- Enclosure: TEFC
- Motors meet NEMA premium efficiency requirements
- Dual rated for 190/380V 50 Hz
- Class "F" insulation with rise at or below Class "B"
- Motors 213T and larger suitable for wye/delta starting
- Rigid cast iron construction
- Designed for horizontal applications

- High Starting Torque meets Design "C" on most sizes
- F1/F2 convertible
- CSA-US certified, CE marked and DOE approved
- 31N Series is NEMA Premium® marked
- Stainless steel nameplate with connection diagram
- Efficiency tested according to IEEE112 Method B
- Warranty: 3-Years

31N and 32N Series formerly branded as Elektrimax.
See page 1 for details.

HP	RPM	Frame	EFF	PF	Voltage	Full Load Amps	Service Factor	NEMA Design	Net Weight	C-Face Part Number	List Price	Notes (a)
1	3600	143TC	84	84	208-230/460V	4.4-4/2	1.2	B	55	32NCM-3-1-36	485.00	V,6,8,9,10,22
		143TC	86.5	78	208-230/460V	3.1-2.8/1.4	1.25	B	52	31NCM-3-1-18	427.00	1,2,5,9,10,22
	1800	143TC	85.5	78	208-230/460V	3.1-2.8/1.4	1.2	B	52	32NCM-3-1-18	347.00	V,3,6,8,9,10,22
		145TC	84	66	208-230/460V	3.8-3.4/1.7	1.25	B	58	31NCM-3-1-12	525.00	1,2,5,9,10,22
	145TC	82.5	68	208-230/460V	3.7-3.4/1.7	1.2	B	55	32NCM-3-1-12	390.00	V,3,6,8,9,10,22	
900	182TC	84	60	208-230/460V	4.2-3.8/1.9	1.15	B	96	31NCM-3-1-9	1,185.00	1,2,3,5,9,10,22	
1.5	3600	143TC	85.5	88.5	208-230/460V	4.2-3.8/1.9	1.25	B	52	31NCM-3-1.5-36	457.00	1,2,3,5,9,10,22
		143TC	84	84	208-230/460V	4.4-4/2	1.2	B	55	32NCM-3-1.5-36	457.00	V,3,6,8,9,10,22
	1800	145TC	87.5	78.5	208-230/460V	4.6-4.2/2.1	1.25	B	58	31NCM-3-1.5-18	479.00	1,2,3,5,9,10,22
		145TC	86.5	78	208-230/460V	4.6-4.2/2.1	1.2	B	61	32NCM-3-1.5-18	367.00	V,3,6,8,9,10,22
	1200	182TC	87.5	68	208-230/460V	5.3-4.8/2.4	1.25	B	97	31NCM-3-1.5-12	603.00	1,2,3,5,9,10,22
		182TC	87.5	75	208-230/460V	4.7-4.2/2.1	1.2	B	88	32NCM-3-1.5-12	603.00	V,3,6,8,9,10,22
	900	184TC	84	60.5	208-230/460V	6.2-5.6/2.8	1.15	B	106	31NCM-3-1.5-9	1,449.00	1,2,3,5,9,10,22
2	3600	145TC	86.5	89	208-230/460V	5.5-5/2.5	1.25	B	60	31NCM-3-2-36	511.00	1,2,3,5,9,10,22
		145TC	85.5	85	208-230/460V	5.7-5.2/2.6	1.2	B	63	32NCM-3-2-36	511.00	V,3,6,8,9,10,22
	1800	145TC	87.5	78	208-230/460V	6.2-5.6/2.8	1.25	B	58	31NCM-3-2-18	516.00	1,2,3,5,9,10,22
		145TC	86.5	78	208-230/460V	6.1-5.6/2.8	1.2	B	63	32NCM-3-2-18	403.00	V,6,8,9,10,22
	1200	184TC	88.5	73	208-230/460V	6.4-5.8/2.9	1.25	B	109	31NCM-3-2-12	704.00	1,2,3,5,9,10,22
		184TC	88.5	75	208-230/460V	6.2-5.6/2.8	1.2	B	94	32NCM-3-2-12	686.00	V,3,6,8,9,10,22
	900	213TC	85.5	71	208-230/460V	6.9-6.2/3.1	1.15	B	168	31NCM-3-2-9	1,688.00	1,2,3,5,9,10,23
3	3600	182TC	88.5	90	208-230/460V	8-7.2/3.6	1.25	B	90	31NCM-3-3-36	642.00	1,2,3,5,9,10,22
		182TC	86.5	87	208-230/460V	8.3-7.4/3.7	1.2	B	90	32NCM-3-3-36	557.00	V,3,6,8,9,10,22
	1800	182TC	90.2	81	208-230/460V	8.6-7.8/3.9	1.25	B	93	31NCM-3-3-18	631.00	1,2,3,5,9,10,22
		182TC	89.5	86	208-230/460V	8.1-7.2/3.6	1.2	B	94	32NCM-3-3-18	658.00	V,6,8,9,10,22
	1200	213TC	89.5	75	208-230/460V	9.5-8.6/4.3	1.25	B	156	31NCM-3-3-12	894.00	1,2,3,5,9,10,23
		213TC	89.5	75	208-230/460V	9.3-8.4/4.2	1.2	B	144	32NCM-3-3-12	779.00	V,6,8,9,10,22
	900	215TC	85.5	72.5	208-230/460V	10.2-9.2/4.6	1.15	B	192	31NCM-3-3-9	2,190.00	1,2,3,5,9,10,23

Performance Data & Mounting Dimensions: 31N Series Pages 65-68, 32N Series Pages 69-71

Premium Efficient Motors

Non-stock item may be available in limited supply or by special order. Contact Elektrim at 855-Go-Elektrim or support@elektrimmotors.com for details. Motors can be modified from Footed to C-Face and vice versa.

(a) See notes on inside back cover.

All-Purpose Premium Efficient, 3-Phase, NEMA AC C-Face Motors

HP	RPM	Frame	EFF	PF	Voltage	Full Load Amps	Service Factor	NEMA Design	Net Weight	C-Face Part Number	List Price	Notes ^(a)	
5	3600	184TC	90.2	90.5	208-230/460V	12.8-11.6/5.8	1.25	B	106	31NCM-3-5-36	736.00	1,2,3,5,9,10,23	
		184TC	88.5	88	208-230/460V	13.3-12/6	1.2	B	99	32NCM-3-5-36	642.00	V,3,6,8,9,10,23	
	1800	184TC	90.2	82.5	208-230/460V	14.2-12.8/6.4	1.25	B	106	31NCM-3-5-18	711.00	1,2,3,5,9,10,23	
		184TC	89.5	86	208-230/460V	13.5-12.2/6.1	1.2	B	101	32NCM-3-5-18	696.00	V,6,8,9,10,23	
	1200	215TC	89.5	78	208-230/460V	15.3-13.8/6.9	1.25	B	192	31NCM-3-5-12	1,202.00	1,2,3,5,9,10,23	
		215TC	89.5	76	208-230/460V	15.2-13.8/6.9	1.2	B	155	32NCM-3-5-12	837.00	V,6,8,9,10,22	
900	254TC	89.5	70	208-230/460V	16.6-15/7.5	1.15	B	290	31NCM-3-5-9	3,007.00	1,2,3,5,9,10,23		
7.5	3600	213TC	90.2	88	208-230/460V	19.9-18/9	1.25	B	162	31NCM-3-7.5-36	1,045.00	1,2,3,5,9,10,23	
		213TC	89.5	88	208-230/460V	19.7-17.8/8.9	1.2	B	155	32NCM-3-7.5-36	922.00	V,3,6,8,9,10,23	
	1800	213TC	91.7	86	208-230/460V	20.1-18.2/9.1	1.25	B	168	31NCM-3-7.5-18	1,034.00	1,2,3,5,9,10,23	
		213TC	91.7	85	208-230/460V	19.9-18/9	1.2	B	162	32NCM-3-7.5-18	939.00	V,6,8,9,10,23	
	1200	254TC	91.7	77	208-230/460V	22.3-20.2/10.1	1.25	B	282	31NCM-3-7.5-12	1,691.00	1,2,3,5,9,10,23	
		254TC	91	75	208-230/460V	22.8-20.6/10.3	1.2	B	260	32NCM-3-7.5-12	1,259.00	V,6,8,9,10,23	
	900	256TC	89.5	70.5	208-230/460V	25-22.6/11.3	1.15	B	325	31NCM-3-7.5-9	3,846.00	1,2,3,5,9,10,23	
	10	3600	215TC	91.7	89	208-230/460V	25.4-23/11.5	1.25	B	185	31NCM-3-10-36	1,156.00	1,2,3,5,9,10,23
215TC			90.2	88	208-230/460V	26.1-23.6/11.8	1.2	B	175	32NCM-3-10-36	1,006.00	V,6,8,9,10,23	
1800		215TC	91.7	87	208-230/460V	26.3-23.8/11.9	1.25	B	192	31NCM-3-10-18	1,204.00	1,2,5,9,10,23	
		215TC	91.7	85	208-230/460V	26.6-24/12	1.2	B	184	32NCM-3-10-18	1,059.00	V,3,6,8,9,10,23	
1200		256TC	91.7	79	208-230/460V	29.2-26.4/13.2	1.25	B	310	31NCM-3-10-12	2,056.00	1,2,3,5,9,10,23	
		256TC	91	75	208-230/460V	30.3-27.4/13.7	1.2	B	302	32NCM-3-10-12	2,056.00	V,3,6,8,9,10,23	
900		284TC	91	70	208-230/460V	33.2-30/15	1.15	B	445	31NCM-3-10-9	4,481.00	1,2,3,5,9,10,23	
15		3600	254TC	91	91	208-230/460V	38.3-34.6/17.3	1.25	B	300	31NCM-3-15-36	1,723.00	1,2,3,5,9,10,23
			254TC	91	89	208-230/460V	38.4-34.6/17.3	1.2	B	264	32NCM-3-15-36	1,723.00	V,6,8,9,10,23
	1800	254TC	92.4	83	208-230/460V	40.9-37/18.5	1.25	B	300	31NCM-3-15-18	1,705.00	1,2,3,5,9,10,23	
		254TC	92.4	85	208-230/460V	39.5-35.8/17.9	1.2	B	288	32NCM-3-15-18	1,606.00	V,3,6,8,9,10,23	
	1200	284TC	92.4	80	208-230/460V	42.9-38.8/19.4	1.25	B	390	31NCM-3-15-12	2,714.00	1,2,3,5,9,10,23	
		284TC	91.7	81	208-230/460V	41.8-37.8/18.9	1.2	B	392	32NCM-3-15-12	2,714.00	V,6,8,9,10,23	
	900	286TC	91.7	73	208-230/460V	46.9-42.4/21.2	1.15	B	475	31NCM-3-15-9	6,197.00	1,2,3,5,9,10,23	
20	3600	256TC	91	91	208-230/460V	50.9-46/23	1.25	B	325	31NCM-3-20-36	2,091.00	1,2,3,5,9,10,23	
		256TC	91	89	208-230/460V	51.1-46.2/23.1	1.2	B	295	32NCM-3-20-36	2,091.00	V,3,6,8,9,10,23	
	1800	256TC	93	83.5	208-230/460V	54.2-49/24.5	1.25	B	330	31NCM-3-20-18	2,059.00	1,2,3,5,9,10,23	
		256TC	93	85	208-230/460V	52.4-47.4/23.7	1.2	B	341	32NCM-3-20-18	1,899.00	V,3,6,8,9,10,23	
	1200	286TC	92.4	81	208-230/460V	56.4-51/25.5	1.15	B	475	31NCM-3-20-12	3,541.00	1,2,3,5,9,10,23	
		286TC	91.7	81	208-230/460V	55.8-50.4/25.2	1.2	B	454	32NCM-3-20-12	3,144.00	V,6,8,9,10,23	
	900	324TC	91.7	73	208-230/460V	62.6-56.6/28.3	1.15	B	650	31NCM-3-20-9	7,161.00	1,2,3,5,9,10,23	
25	3600	284TSC	91.7	90.5	208-230/460V	63.5-57.4/28.7	1.15	B	410	31NCM-3-25-36	2,661.00	1,2,3,5,9,10,23	
		284TSC	91.7	90	208-230/460V	62.7-56.8/28.4	1.2	B	414	32NCM-3-25-36	2,259.00	V,3,6,8,9,10,23	
	1800	284TC	93.6	84	208-230/460V	66.3-60/30	1.15	B	410	31NCM-3-25-18	2,516.00	1,2,3,5,9,10,23	
		284TC	93.6	87	208-230/460V	63.6-57.4/28.7	1.2	B	432	32NCM-3-25-18	2,587.00	V,3,6,8,9,10,23	
	1200	324TC	93	85	208-230/460V	66.8-60.4/30.2	1.15	B	550	31NCM-3-25-12	3,900.00	1,2,3,5,9,10,23	
		324TC	93	82	208-230/460V	67.9-61.4/30.7	1.2	B	549	32NCM-3-25-12	3,900.00	V,6,8,9,23	
	900	326TC	91.7	73	208-230/460V	78.5-71/35.5	1.15	B	716	31NCM-3-25-9	8,474.00	1,2,3,5,9,10,23	
30	3600	286TSC	92.4	91	208-230/460V	75.4-68.2/34.1	1.15	B	450	31NCM-3-30-36	3,017.00	1,2,3,5,9,10,23	
		286TSC	91.7	90	208-230/460V	75.3-68/34	1.2	B	441	32NCM-3-30-36	3,017.00	V,6,8,9,10,23	
	1800	286TC	93.6	84	208-230/460V	79.6-72/36	1.15	B	475	31NCM-3-30-18	2,965.00	1,2,3,5,9,10,23	
		286TC	93.6	87	208-230/460V	76.3-69/34.5	1.2	B	474	32NCM-3-30-18	2,965.00	V,3,6,8,9,10,23	
	1200	326TC	93	85.5	208-230/460V	79.6-72/36	1.15	B	616	31NCM-3-30-12	4,525.00	1,2,3,5,9,10,23	
		326TC	93	82	208-230/460V	81.5-73.6/36.8	1.2	B	597	32NCM-3-30-12	4,525.00	V,6,8,9,23	
900	364TC	92.4	74	208-230/460V	92-83.2/41.6	1.15	B	850	31NCM-3-30-9	9,982.00	1,2,3,5,9,10,23		

Performance Data & Mounting Dimensions: 31N Series Pages 65-68, 32N Series Pages 69-71

Premium Efficient Motors

Non-stock item may be available in limited supply or by special order. Contact Elektrim at 855-Go-Elektrim or support@elektrimmotors.com for details. Motors can be modified from Footed to C-Face and vice versa.

^(a) See notes on inside back cover.

All-Purpose Premium Efficient, 3-Phase, NEMA AC C-Face Motors

HP	RPM	Frame	EFF	PF	Voltage	Full Load Amps	Service Factor	NEMA Design	Net Weight	C-Face Part Number	List Price	Notes ^(a)
40	3600	324TSC	93	88	208-230/460V	103.3-93.4/46.7	1.15	B	630	31NCM-3-40-36	3,853.00	1,2,3,5,9,10,23
		324TSC	92.4	90	208-230/460V	99.6-90/45	1.2	B	544	32NCM-3-40-36	3,853.00	V,6,8,9,23
	1800	324TC	95	84.5	208-230/460V	104.8-94.8/47.4	1.15	B	600	31NCM-3-40-18	3,797.00	1,2,3,5,9,10,23
		324TC	94.1	88	208-230/460V	100-90.4/45.2	1.2	B	590	32NCM-3-40-18	3,797.00	V,6,8,9,23
	1200	364TC	94.5	84	208-230/460V	106.2-96/48	1.15	B	850	31NCM-3-40-12	5,940.00	1,2,5,9,10,23
		364TC	94.1	86	208-230/460V	102.4-92.6/46.3	1.2	B	787	32NCM-3-40-12	5,940.00	V,6,8,9,23
900	365TC	92.4	76	208-230/460V	119.4-108/54	1.15	B	960	31NCM-3-40-9	12,365.00	1,2,3,5,9,10,23	
50	3600	326TSC	93.6	88.5	208-230/460V	126.1-114/57	1.15	B	650	31NCM-3-50-36	4,630.00	1,2,3,5,9,10,23
		326TSC	93	90	208-230/460V	123.7-111.8/55.9	1.2	B	619	32NCM-3-50-36	4,630.00	V,6,8,9,23
	1800	326TC	95	84.5	208-230/460V	130.5-118/59	1.15	B	716	31NCM-3-50-18	4,525.00	1,2,3,5,9,10,23
		326TC	94.5	88	208-230/460V	124.5-112.6/56.3	1.2	B	683	32NCM-3-50-18	3,780.00	V,6,8,9,23
	1200	365TC	94.5	84	208-230/460V	132.7-120/60	1.15	B	960	31NCM-3-50-12	6,670.00	1,2,5,9,10,23
		365TC	94.1	86	208-230/460V	127.9-115.8/57.9	1.2	B	864	32NCM-3-50-12	6,670.00	V,6,8,9,23
	900	404TC	93	76	208-230/460V	148.2-134/67	1.15	B	1402	31NCM-3-50-9	14,739.00	1,2,3,5,9,10,23
	60	3600	364TSC	93.6	90	208-230/460V	147.5-133.4/66.7	1.2	B	793	32NCM-3-60-36	6,765.00
364TC			95	84	208-230/460V	158.1-143/71.5	1.15	B	850	31NCM-3-60-18	6,579.00	1,2,3,5,9,10,23
1800		364TC	95	87	208-230/460V	150.3-136/68	1.2	B	842	32NCM-3-60-18	5,902.00	V,6,8,9,23
		404TC	94.5	86	208-230/460V	152.9-138.2/69.1	1.2	B	992	32NCM-3-60-12	9,099.00	V,6,8,9,23
75	3600	365TSC	93.6	90	208-230/460V	184.4-166.8/83.4	1.2	B	859	32NCM-3-75-36	7,505.00	V,6,8,9,23
		365T	95.4	84	208-230/460V	199-180/90	1.15	B	935	31NCM-3-75-18	8,356.00	1,2,3,5,9,10,23
	1800	365TC	95.4	87	208-230/460V	187.1-169.2/84.6	1.2	B	941	32NCM-3-75-18	6,919.00	V,6,8,9,23
		405TC	94.5	86	208-230/460V	191.1-172.8/86.4	1.2	B	1151	32NCM-3-75-12	9,275.00	V,6,8,9,23
100	3600	405TSC	94.1	91	208-230/460V	241.8-218.6/109.3	1.2	B	1120	32NCM-3-100-36	9,261.00	V,6,8,9,23
	1800	405TC	95.4	87	208-230/460V	249.5-225.6/112.8	1.2	B	1173	32NCM-3-100-18	9,976.00	V,6,8,9,23
	1200	444TC	95	86	460V	114.6	1.2	B	1455	32NCM-3-100-12	13,954.00	V,7,8,9,24
125	3600	444TSC	95	91	460V	135.4	1.2	B	1334	32NCM-3-125-36	14,637.00	V,7,8,9,24
		444TC	95.4	88	460V	139.4	1.2	B	1433	32NCM-3-125-18	13,489.00	V,7,8,9,24
	1200	445TC	95	86	460V	143.3	1.2	B	1587	32NCM-3-125-12	15,767.00	V,7,8,9,21,24
150	3600	445TSC	95	91	460V	162.5	1.2	B	1488	32NCM-3-150-36	17,739.00	V,7,8,9,21,24
	1800	445TC	95.8	88	460V	166.6	1.2	B	1565	32NCM-3-150-18	15,934.00	V,7,8,9,21,24
	1200	447TC	95.8	86	460V	170.5	1.2	B	1885	32NCM-3-150-12	19,392.00	V,7,8,9,21,24
200	3600	447TSC	95.4	92	460V	213.4	1.2	B	1686	32NCM-3-200-36	19,913.00	V,7,8,9,21,24
		449TC	96.2	88	460V	221.2	1.2	B	1907	32NCM-3-200-18	18,997.00	V,7,8,9,21,24
	1200	449TC	95.8	86	460V	227.3	1.2	B	2182	32NCM-3-200-12	21,965.00	V,7,8,9,21,24
250	3600	449TSC	95.8	92	460V	265.6	1.2	B	2048	32NCM-3-250-36	24,886.00	V,7,8,9,21,24
	1800	449TC	96.2	88	460V	276.5	1.2	B	1872	32NCM-3-250-18	23,390.00	V,7,8,9,21,24

Performance Data & Mounting Dimensions: 31N Series Pages 65-68, 32N Series Pages 69-71

Premium Efficient Motors

Non-stock item may be available in limited supply or by special order. Contact Elektrim at 855-Go-Elektrim or support@elektrimmotors.com for details. Motors can be modified from Footed to C-Face and vice versa.

^(a) See notes on inside back cover.



Severe Duty Premium Efficient – 1-250 HP 3PH TEFC 60 Hz NEMA AC Foot Mounted Motors

Applications: Ideal for hard-wearing applications in petrochemical plants, refineries, tropical climates, mines, foundries, pulp and paper mills, waste management facilities, quarries and processing factories.

Features

- Ultra-strong oversized ball bearings on both ends for extra strength and durability
- High starting torque
- High service factor up to 1.4
- IP55 water-tight and dust-proof TEFC enclosure
- Moisture resistant tropicalization
- High temperature protected Class H wiring
- Cast iron construction including junction box, end brackets and fan guard (double gauge reinforced steel fan guard 320T and up for reduced weight and increased air flow)
- Designed for horizontal and vertical application
- Vacuum pressure impregnation for the most dependable failsafe electrical performance
- Low vibration level (below 0.08 in/sec)
- Inverter duty rated 10:1CT and 20:1VT
- V- Ring up to 286T, **Labyrinth seal 324T and up**
- High temperature grease
- Motors 213T and larger suitable for wye/delta starting
- CSA-US certified, DOE approved, CE and NEMA Premium marked
- Warranty: 3-Years

HP	RPM	Frame	EFF	PF	Voltage	Full Load Amps	Service Factor	NEMA Design	Net Weight	Footed Part Number	List Price	Notes ^(a)
1	1800	143T	85.5	78	208-230/460V	3.1-2.8/1.4	1.4	B	53	60NFS-3-1-18	737.00	3,4,12,22
	1200	145T	82.5	68	208-230/460V	3.8-3.4/1.7	1.4	B	55	60NFS-3-1-12	826.00	3,4,12,22
1.5	3600	143T	84.5	78	208-230/460V	4.6-4.2/2.1	1.4	B	56	60NFS-3-1.5-36	744.00	3,4,12,22
	1800	145T	87	79	208-230/460V	4.4-4/2	1.4	B	57	60NFS-3-1.5-18	785.00	3,4,12,22
	1200	182T	87.5	68	208-230/460V	5.3-4.8/2.4	1.4	B	85	60NFS-3-1.5-12	906.00	3,4,12,22
	3600	145T	86	82	208-230/460V	6-5.4/2.7	1.4	B	57	60NFS-3-2-36	786.00	3,4,12,22
2	1800	145T	86.5	83	208-230/460V	5.8-5.2/2.6	1.4	B	59	60NFS-3-2-18	839.00	4,12,22
	1200	184T	88.5	72	208-230/460V	6.6-6/3	1.4	B	98	60NFS-3-2-12	942.00	3,4,12,22
	3600	182T	86.5	82	208-230/460V	8.8-8/4	1.4	B	76	60NFS-3-3-36	867.00	3,4,12,22
3	1800	182T	89.5	75	208-230/460V	9.3-8.4/4.2	1.4	A	102	60NFS-3-3-18	852.00	3,4,12,22
	1200	213T	89.5	74	208-230/460V	9.3-8.4/4.2	1.4	B	205	60NFS-3-3-12	1,210.00	3,4,12,23
	3600	184T	89	85	208-230/460V	13.7-12.4/6.2	1.4	A	102	60NFS-3-5-36	1,008.00	3,4,12,23
5	1800	184T	89.5	78	208-230/460V	14.8-13.4/6.7	1.3	A	108	60NFS-3-5-18	990.00	3,4,12,23
	1200	215T	89.5	75	208-230/460V	15.5-14/7	1.3	B	220	60NFS-3-5-12	1,646.00	3,4,12,23
	3600	213T	90	92	208-230/460V	18.8-17/8.5	1.3	A	159	60NFS-3-7.5-36	1,386.00	3,4,12,23
7.5	1800	213T	91.7	82	208-230/460V	20.6-18.6/9.3	1.3	A	167	60NFS-3-7.5-18	1,383.00	3,4,12,23
	1200	254T	91	74	208-230/460V	23-20.8/10.4	1.3	A	321	60NFS-3-7.5-12	2,132.00	3,4,12,23
	3600	215T	90.2	91	208-230/460V	25.2-22.8/11.4	1.3	A	173	60NFS-3-10-36	1,590.00	3,4,12,23
10	1800	215T	91.7	82	208-230/460V	27.6-25/12.5	1.3	A	185	60NFS-3-10-18	1,582.00	3,4,12,23
	1200	256T	91	77	208-230/460V	29.6-26.8/13.4	1.3	A	363	60NFS-3-10-12	2,563.00	3,4,12,23
	3600	254T	91.7	87	208-230/460V	38.9-35.2/17.6	1.3	B	258	60NFS-3-15-36	2,038.00	3,4,12,23
15	1800	254T	92.4	88	208-230/460V	38.3-34.6/17.3	1.3	A	301	60NFS-3-15-18	2,025.00	3,4,12,23
	1200	284T	91.7	79	208-230/460V	43.1-39/19.5	1.3	A	371	60NFS-3-15-12	3,397.00	3,4,12,23
	3600	256T	92	89	208-230/460V	50.6-45.8/22.9	1.3	B	306	60NFS-3-20-36	2,422.00	3,4,12,23
20	1800	256T	93	88	208-230/460V	50.6-45.8/22.9	1.2	A	390	60NFS-3-20-18	2,380.00	3,4,12,23
	1200	286T	91.7	80	208-230/460V	56.4-51/25.5	1.2	A	421	60NFS-3-20-12	4,137.00	3,4,9,12,23
	3600	284TS	92.4	86	208-230/460V	65.2-59/29.5	1.2	A	348	60NFS-3-25-36	2,889.00	3,4,12,23
25	1800	284T	93.6	82	208-230/460V	67.5-61/30.5	1.2	A	397	60NFS-3-25-18	2,853.00	3,4,12,23
	1200	324T	93	80	208-230/460V	69.7-63/31.5	1.3	B	653	60NFS-3-25-12	5,687.00	3,9,12,13,23

Performance Data & Mounting Dimensions: 60NFS Series Pages 72-76

Premium Efficient Motors

Motors can be modified from Footed to C-Face and vice versa.

^(a) See notes on inside back cover.

Severe Duty Premium Efficient, 3-Phase, NEMA AC Foot Mounted Motors

HP	RPM	Frame	EFF	PF	Voltage	Full Load Amps	Service Factor	NEMA Design	Net Weight	Footed Part Number	List Price	Notes ^(a)
30	3600	286TS	91.7	87	208-230/460V	77.8-70.4/35.2	1.2	A	390	60NFS-3-30-36	3,488.00	3,4,9,12,23
	1800	286T	93.6	80	208-230/460V	82.9-75/37.5	1.2	A	441	60NFS-3-30-18	3,469.00	3,4,9,12,23
	1200	326T	93	82	208-230/460V	81.8-74/37	1.3	B	681	60NFS-3-30-12	5,768.00	3,9,12,13,23
40	3600	324TS	93	92	208-230/460V	97.3-88/44	1.2	B	608	60NFS-3-40-36	5,752.00	9,12,13,23
	1800	324T	94.1	88	208-230/460V	99.5-90/45	1.3	B	690	60NFS-3-40-18	5,689.00	3,9,12,13,23
	1200	364T	94.1	82	208-230/460V	107.3-97/48.5	1.3	B	917	60NFS-3-40-12	7,490.00	9,12,13,23
50	3600	326TS	93	92	208-230/460V	121.6-110/55	1.2	B	655	60NFS-3-50-36	6,121.00	3,9,12,13,23
	1800	326T	94.5	88	208-230/460V	123.8-112/56	1.3	B	769	60NFS-3-50-18	6,082.00	9,12,13,23
	1200	365T	94.1	83	208-230/460V	132.7-120/60	1.3	B	970	60NFS-3-50-12	8,776.00	9,12,13,23
60	3600	364TS	93.6	92	208-230/460V	143.8-130/65	1.2	B	860	60NFS-3-60-36	7,929.00	3,9,12,13,23
	1800	364T	95	88	208-230/460V	148.2-134/67	1.2	B	926	60NFS-3-60-18	7,518.00	9,12,13
	1200	404T	94.5	82	208-230/460V	159.2-144/72	1.3	B	1127	60NFS-3-60-12	10,685.00	9,12,13,23
75	3600	365TS	94.1	92	208-230/460V	179.1-162/81	1.2	B	933	60NFS-3-75-36	9,409.00	9,12,13,23
	1800	365T	95.4	88	208-230/460V	185.8-168/84	1.2	B	1012	60NFS-3-75-18	9,291.00	9,12,13,23
	1200	405T	94.5	82	208-230/460V	201.3-182/91	1.2	B	1210	60NFS-3-75-12	12,127.00	9,12,13,23
100	3600	405TS	95.4	90	208-230/460V	241.1-218/109	1.2	B	1058	60NFS-3-100-36	11,970.00	9,12,13,23
	1800	405T	95.4	91	208-230/460V	238.8-216/108	1.2	B	1241	60NFS-3-100-18	11,876.00	9,12,13,23
	1200	444T	95	80	208-230/460V	272-246/123	1.2	B	1726	60NFS-3-100-12	15,346.00	9,12,13,23
125	3600	444TS	95.4	92	460V	133	1.2	B	1488	60NFS-3-125-36	16,372.00	3,9,12,13,21,24
	1800	444T	95.8	90	460V	136	1.2	B	1662	60NFS-3-125-18	15,610.00	9,12,13,21,24
	1200	445T	95.4	80	460V	153	1.2	B	1931	60NFS-3-125-12	18,037.00	9,12,13,21,24
150	3600	445TS	95.8	92	460V	159	1.2	B	1594	60NFS-3-150-36	18,581.00	9,12,13,21,24
	1800	445T	95.8	91	460V	161	1.2	B	1823	60NFS-3-150-18	18,393.00	9,12,13,21,24
200	3600	447TS	95.8	93	460V	210	1.2	B	2161	60NFS-3-200-36	21,814.00	12,13,21,24
	1800	447T	96.5	89	460V	218	1.2	B	2310	60NFS-3-200-18	21,562.00	12,13,21,24
250	3600	447TS	96.2	93	460V	261	1.2	B	2271	60NFS-3-250-36	25,527.00	9,12,13,21,24
	1800	447T	96.2	91	460V	267	1.2	B	2447	60NFS-3-250-18	24,940.00	9,12,13,21,24

Performance Data & Mounting Dimensions: 60NFS Series Pages 72-76

Premium Efficient Motors

Motors can be modified from Footed to C-Face and vice versa.

^(a) See notes on inside back cover.



Severe Duty Premium Efficient – 1-250 HP 3PH TEFC 60 Hz NEMA AC C-Face Motors

Applications: Ideal for hard-wearing applications in petrochemical plants, refineries, tropical climates, mines, foundries, pulp and paper mills, waste management facilities, quarries and processing factories.

Features

- Ultra-strong oversized ball bearings on both ends for extra strength and durability
- High starting torque
- High service factor up to 1.4
- IP55 water-tight and dust-proof TEFC enclosure
- Moisture resistant tropicalization
- High temperature protected Class H wiring
- Cast iron construction including junction box, end brackets and fan guard (double gauge reinforced steel fan guard 320T and up for reduced weight and increased air flow)
- Designed for horizontal and vertical application
- Vacuum pressure impregnation for the most dependable failsafe electrical performance
- Low vibration level (below 0.08 in/sec)
- Inverter duty rated 10:1CT and 20:1VT
- V- Ring up to 286T, **Labyrinth seal 324T and up**
- High temperature grease
- Motors 213T and larger suitable for wye/delta starting
- CSA-US certified, DOE approved, CE and NEMA Premium marked
- Warranty: 3-Years

HP	RPM	Frame	EFF	PF	Voltage	Full Load Amps	Service Factor	NEMA Design	Net Weight	C-Face Part Number	List Price	Notes ^(a)
1	1800	143TC	85.5	78	208-230/460V	3.1-2.8/1.4	1.4	B	53	60NCS-3-1-18	804.00	3,4,12,22
	1200	145TC	82.5	68	208-230/460V	3.8-3.4/1.7	1.4	B	55	60NCS-3-1-12	901.00	3,4,12,22
1.5	3600	143TC	84.5	78	208-230/460V	4.6-4.2/2.1	1.4	B	56	60NCS-3-1.5-36	811.00	3,4,12,22
	1800	145TC	87	79	208-230/460V	4.4-4/2	1.4	B	57	60NCS-3-1.5-18	856.00	3,4,12,22
	1200	182TC	87.5	68	208-230/460V	5.3-4.8/2.4	1.4	B	85	60NCS-3-1.5-12	988.00	3,4,12,22
	3600	145TC	86	82	208-230/460V	6-5.4/2.7	1.4	B	57	60NCS-3-2-36	857.00	3,4,12,22
2	1800	145TC	86.5	83	208-230/460V	5.8-5.2/2.6	1.4	B	59	60NCS-3-2-18	915.00	4,12,22
	1200	184TC	88.5	72	208-230/460V	6.6-6/3	1.4	B	98	60NCS-3-2-12	1,027.00	3,4,12,22
	3600	182TC	86.5	82	208-230/460V	8.8-8/4	1.4	B	76	60NCS-3-3-36	946.00	3,4,12,22
3	1800	182TC	89.5	75	208-230/460V	9.3-8.4/4.2	1.4	A	102	60NCS-3-3-18	929.00	3,4,12,22
	1200	213TC	89.5	74	208-230/460V	9.3-8.4/4.2	1.4	B	205	60NCS-3-3-12	1,319.00	3,4,12,23
	3600	184TC	89	85	208-230/460V	13.7-12.4/6.2	1.4	A	102	60NCS-3-5-36	1,099.00	3,4,12,23
5	1800	184TC	89.5	78	208-230/460V	14.8-13.4/6.7	1.3	A	108	60NCS-3-5-18	1,080.00	3,4,12,23
	1200	215TC	89.5	75	208-230/460V	15.5-14/7	1.3	B	220	60NCS-3-5-12	1,795.00	3,4,12,23
	3600	213TC	90	92	208-230/460V	18.8-17/8.5	1.3	A	159	60NCS-3-7.5-36	1,511.00	3,4,12,23
7.5	1800	213TC	91.7	82	208-230/460V	20.6-18.6/9.3	1.3	A	167	60NCS-3-7.5-18	1,508.00	3,4,12,23
	1200	254TC	91	74	208-230/460V	23-20.8/10.4	1.3	A	321	60NCS-3-7.5-12	2,324.00	3,4,12,23
	3600	215TC	90.2	91	208-230/460V	25.2-22.8/11.4	1.3	A	173	60NCS-3-10-36	1,734.00	3,4,12,23
10	1800	215TC	91.7	82	208-230/460V	27.6-25/12.5	1.3	A	185	60NCS-3-10-18	1,725.00	3,4,12,23
	1200	256TC	91	77	208-230/460V	29.6-26.8/13.4	1.3	A	363	60NCS-3-10-12	2,794.00	3,4,12,23
	3600	254TC	91.7	87	208-230/460V	38.9-35.2/17.6	1.3	B	258	60NCS-3-15-36	2,222.00	3,4,12,23
15	1800	254TC	92.4	88	208-230/460V	38.3-34.6/17.3	1.3	A	301	60NCS-3-15-18	2,208.00	3,4,12,23
	1200	284TC	91.7	79	208-230/460V	43.1-39/19.5	1.3	A	371	60NCS-3-15-12	3,703.00	3,4,12,23
	3600	256TC	92	89	208-230/460V	50.6-45.8/22.9	1.3	B	306	60NCS-3-20-36	2,640.00	3,4,12,23
20	1800	256TC	93	88	208-230/460V	50.6-45.8/22.9	1.2	A	390	60NCS-3-20-18	2,595.00	3,4,12,23
	1200	286TC	91.7	80	208-230/460V	56.4-51/25.5	1.2	A	421	60NCS-3-20-12	4,510.00	3,4,9,12,23
	3600	284TSC	92.4	86	208-230/460V	65.2-59/29.5	1.2	A	348	60NCS-3-25-36	3,150.00	3,4,12,23
25	1800	284TC	93.6	82	208-230/460V	67.5-61/30.5	1.2	A	397	60NCS-3-25-18	3,110.00	3,4,12,23
	1200	324TC	93	80	208-230/460V	69.7-63/31.5	1.3	B	653	60NCS-3-25-12	6,199.00	3,9,12,13,23

Performance Data & Mounting Dimensions: 60NFS Series Pages 72-76

Premium Efficient Motors

Motors can be modified from Footed to C-Face and vice versa.

^(a) See notes on inside back cover.

Severe Duty Premium Efficient, 3-Phase, NEMA AC C-Face Motors

HP	RPM	Frame	EFF	PF	Voltage	Full Load Amps	Service Factor	NEMA Design	Net Weight	C-Face Part Number	List Price	Notes ^(a)
30	3600	286TSC	91.7	87	208-230/460V	77.8-70.4/35.2	1.2	A	390	60NCS-3-30-36	3,802.00	3,4,9,12,23
	1800	286TC	93.6	80	208-230/460V	82.9-75/37.5	1.2	A	441	60NCS-3-30-18	3,782.00	3,4,9,12,23
	1200	326TC	93	82	208-230/460V	81.8-74/37	1.3	B	681	60NCS-3-30-12	6,288.00	3,9,12,13,23
40	3600	324TSC	93	92	208-230/460V	97.3-88/44	1.2	B	608	60NCS-3-40-36	6,270.00	9,12,13,23
	1800	324TC	94.1	88	208-230/460V	99.5-90/45	1.3	B	690	60NCS-3-40-18	6,202.00	3,9,12,13,23
	1200	364TC	94.1	82	208-230/460V	107.3-97/48.5	1.3	B	917	60NCS-3-40-12	8,165.00	9,12,13,23
50	3600	326TSC	93	92	208-230/460V	121.6-110/55	1.2	B	655	60NCS-3-50-36	6,672.00	3,9,12,13,23
	1800	326TC	94.5	88	208-230/460V	123.8-112/56	1.3	B	769	60NCS-3-50-18	6,630.00	9,12,13,23
	1200	365TC	94.1	83	208-230/460V	132.7-120/60	1.3	B	970	60NCS-3-50-12	9,566.00	9,12,13,23
60	3600	364TSC	93.6	92	208-230/460V	143.8-130/65	1.2	B	860	60NCS-3-60-36	8,643.00	3,9,12,13,23
	1800	364TC	95	88	208-230/460V	148.2-134/67	1.2	B	926	60NCS-3-60-18	8,195.00	9,12,13
	1200	404TC	94.5	82	208-230/460V	159.2-144/72	1.3	B	1127	60NCS-3-60-12	11,647.00	9,12,13,23
75	3600	365TSC	94.1	92	208-230/460V	179.1-162/81	1.2	B	933	60NCS-3-75-36	10,256.00	9,12,13,23
	1800	365TC	95.4	88	208-230/460V	185.8-168/84	1.2	B	1012	60NCS-3-75-18	10,128.00	9,12,13,23
	1200	405TC	94.5	82	208-230/460V	201.3-182/91	1.2	B	1210	60NCS-3-75-12	13,219.00	9,12,13,23
100	3600	405TSC	95.4	90	208-230/460V	241.1-218/109	1.2	B	1058	60NCS-3-100-36	13,048.00	9,12,13,23
	1800	405TC	95.4	91	208-230/460V	238.8-216/108	1.2	B	1241	60NCS-3-100-18	12,945.00	9,12,13,23
	1200	444TC	95	80	208-230/460V	272-246/123	1.2	B	1726	60NCS-3-100-12	16,728.00	9,12,13,23
125	3600	444TSC	95.4	92	460V	133	1.2	B	1488	60NCS-3-125-36	17,846.00	3,9,12,13,21,24
	1800	444TC	95.8	90	460V	136	1.2	B	1662	60NCS-3-125-18	17,015.00	9,12,13,21,24
	1200	445TC	95.4	80	460V	153	1.2	B	1931	60NCS-3-125-12	19,661.00	9,12,13,21,24
150	3600	445TSC	95.8	92	460V	159	1.2	B	1594	60NCS-3-150-36	20,254.00	9,12,13,21,24
	1800	445TC	95.8	91	460V	161	1.2	B	1823	60NCS-3-150-18	20,049.00	9,12,13,21,24
200	3600	447TSC	95.8	93	460V	210	1.2	B	2161	60NCS-3-200-36	23,778.00	12,13,21,24
	1800	447TC	96.5	89	460V	218	1.2	B	2310	60NCS-3-200-18	23,503.00	12,13,21,24
250	3600	447TSC	96.2	93	460V	261	1.2	B	2271	60NCS-3-250-36	27,825.00	9,12,13,21,24
	1800	447TC	96.2	91	460V	267	1.2	B	2447	60NCS-3-250-18	27,185.00	9,12,13,21,24

Performance Data & Mounting Dimensions: 60NFS Series Pages 72-76

Premium Efficient Motors

Motors can be modified from Footed to C-Face and vice versa.

^(a) See notes on inside back cover.



IEC Frame Metric Motors – 0.08-220 HP

3PH TEFC 50/60 Hz AC B3 Foot Mounted Motors

Applications: Designed to meet international standards as replacement motors for overseas applications and machinery such as pumps, conveyors, fans and more.

Features

- Inverter Duty Rated: 5:1CT & 10:1VT at 460V 60 Hz
- Service Factor: up to 1.2 at 460V 60 Hz
- Design: "N" or "H"
- Protection Degree: IP55
- Enclosure: TEFC
- High lock rotor torque
- VPI process applied for best electrical performance
- IEC132 frame and larger suitable for Y/Delta starting
- Electromagnetic compatibility standards: EN 50081-1(2) and EN 50082-1(2)
- Nameplate rated 230/460V 60 Hz and 380/400V 50 Hz
- Oversized ball bearings on both ends for direct coupling
- Class "F" insulation
- Junction box equipped with glands
- F3 mounting position
- Drilled and tapped end shaft
- Drain plugs
- Bidirectional fan
- All motors provided with CE mark
- Warranty: 3-Years

HP	kW	RPM	Frame	EFF	PF	Voltage	Full Load Amps	IEC Class	IEC Design	Net Weight	Footed B3 Part Number	List Price	Notes ^(a)
0.08	0.06	1800	56	55	66	230/460V	0.44/0.22	IE1	–	5.9	40MFM-3-.08-18	202.00	13,15,17,19
0.12	0.09	3600	56	58	75	230/460V	0.56/0.28	IE1	–	6.6	40MFM-3-.12-36	208.00	13,15,17,19
		1800	56	61	65	230/460V	0.6/0.3	IE1	–	6.4	40MFM-3-.12-18	208.00	13,15,17,19
0.17	0.12	3600	56	63	83	230/460V	0.6/0.3	IE1	–	7.5	40MFM-3-.17-36	212.00	13,15,17,19
		1800	63	64	72	230/460V	0.7/0.35	IE1	–	7.9	40MFM-3-.17-18	216.00	13,15,17,19
0.25	0.18	3600	63	65	80	230/460V	1/0.5	IE1	–	7.9	40MFM-3-.25-36	217.00	13,15,17,19
		1800	63	64	70	230/460V	1.1/0.55	IE1	–	9.3	40MFM-3-.25-18	223.00	13,15,17,19
		1200	71	57	68	230/460V	1.4/0.7	IE1	–	10.8	40MFM-3-.25-12	252.00	13,15,17,19
0.33	0.25	3600	63	68	83	230/460V	1.1/0.55	IE1	–	9.3	40MFM-3-.33-36	229.00	13,15,17,19
		1800	71	66	68	230/460V	1.4/0.7	IE1	–	10.6	40MFM-3-.33-18	229.00	13,15,17,19
		1200	71	55	70	230/460V	1.8/0.9	IE1	–	12.8	40MFM-3-.33-12	267.00	13,15,17,19
0.5	0.37	3600	71	71	68	230/460V	1.8/0.9	IE1	–	11.7	40MFM-3-.50-36	245.00	13,15,17,19
		1800	71	68	68	230/460V	2/1	IE1	–	13	40MFM-3-.50-18	245.00	13,15,17,19
		1200	80	64	64	230/460V	2.4/1.2	IE1	–	16	40MFM-3-.50-12	323.00	13,15,17,19
0.75	0.55	3600	71	75	85	230/460V	2.4/1.2	IE1	–	13.2	40MFM-3-.75-36	267.00	13,15,17,19
		1800	80	70	72	230/460V	3/1.5	IE1	–	16.5	40MFM-3-.75-18	305.00	13,15,17,19
		1200	80	67	72	230/460V	3.2/1.6	IE1	–	19	40MFM-3-.75-12	363.00	13,15,17,19
1	0.75	3600	80	74	80	230/460V	3.2/1.6	IE1	–	17.2	40MFM-3-1-36	334.00	13,15,17,19
		1800	80	75	73	230/460V	3.4/1.7	IE1	–	19.4	40MFM-3-1-18	311.00	13,15,17,19
		1200	90S	80	65	230/460V	3.6/1.8	IE2	H	36.4	20MFM-3-1-12	657.00	13,14,15,17,19
1.5	1.1	3600	80	77	84	230/460V	4.4/2.2	IE1	–	20.1	40MFM-3-1.5-36	362.00	13,15,17,19
		1800	90S	84	72	230/460V	4.6/2.3	IE2	H	36	20MFM-3-1.5-18	633.00	13,14,15,17,19
2	1.5	3600	90S	85.5	79	230/460V	5.6/2.8	IE3	N	31	20MFM-3-2-36	616.00	13,14,15,17,19
		1800	90L	84	74	230/460V	6/3	IE2	H	42	20MFM-3-2-18	671.00	13,14,15,17,19
3	2.2	3600	90L	86.5	80	230/460V	8/4	IE3	N	38	20MFM-3-3-36	763.00	13,14,15,17,19
		1800	100L	87.5	79	230/460V	8/4	IE2	H	56	20MFM-3-3-18	755.00	13,14,15,17,19
		1200	112M	87.5	72	230/460V	8.8/4.4	IE2	H	71	20MFM-3-3-12	1,135.00	13,14,15,17,19

Performance Data & Mounting Dimensions: 20M Series Pages 78-84, 40M Series Pages 77-84

Premium Efficient Motors

Motors can be modified from Footed to C-Face or D-Flange and vice versa.

Motors are dual rated for 50 Hz and 60 Hz: 380/400V 50 Hz and 230/460V 60 Hz

^(a) See notes on inside back cover.

IEC Frame Metric, 3-Phase, AC B3 Foot Mounted Motors

HP	kW	RPM	Frame	EFF	PF	Voltage	Full Load Amps	IEC Class	IEC Design	Net Weight	Footed B3 Part Number	List Price	Notes (a)
4	3	3600	100L	88.5	81	230/460V	10.6/5.3	IE3	N	59	20MFM-3-4-36	845.00	13,14,15,17,19
		1800	100L	87.5	74	230/460V	11.6/5.8	IE2	H	66	20MFM-3-4-18	869.00	13,14,15,17,19
		1200	132S	87.5	76	230/460V	11.4/5.7	IE2	H	119	20MFM-3-4-12	1,498.00	13,15,18,20,23
5.5	4	3600	112M	89	85	230/460V	13.2/6.6	IE3	N	74	20MFM-3-5-5-36	928.00	13,14,15,17,19
		1800	112M	87.5	78	230/460V	14.8/7.4	IE2	H	78	20MFM-3-5-5-18	927.00	13,14,15,17,19
		1200	132M	87.5	76	230/460V	15/7.5	IE2	H	146	20MFM-3-5-5-12	1,507.00	13,15,18,20,23
7.5	5.5	3600	132S	89.5	88	230/460V	17.6/8.8	IE3	N	132	20MFM-3-7-5-36	1,150.00	13,15,18,20,23
		1800	132S	89.5	79	230/460V	19.6/9.8	IE2	H	156	20MFM-3-7-5-18	1,308.00	13,15,18,20,23
		1200	132M	89.5	77	230/460V	22.4/11.2	IE2	H	159	20MFM-3-7-5-12	2,448.00	13,15,18,20,23
10	7.5	3600	132S	90.2	91	230/460V	23/11.5	IE3	N	156	20MFM-3-10-36	1,302.00	13,15,18,20,23
		1800	132M	89.5	80	230/460V	26.2/13.1	IE2	H	162	20MFM-3-10-18	1,503.00	13,15,18,20,23
		1200	160M	89.5	80	230/460V	26.2/13.1	IE2	H	221	20MFM-3-10-12	2,536.00	15,18,20,23
15	11	3600	160M	91	86	230/460V	35.2/17.6	IE3	N	212	20MFM-3-15-36	1,815.00	15,18,20,23
		1800	160M	91	80	230/460V	38/19	IE2	H	234	20MFM-3-15-18	1,862.00	15,18,20,23
		1200	160L	90.2	82	230/460V	37.4/18.7	IE2	H	276	20MFM-3-15-12	3,010.00	15,18,20,23
20	15	3600	160M	91	89	230/460V	46.4/23.2	IE3	N	227	20MFM-3-20-36	2,150.00	15,18,20,23
		1800	160L	91	80	230/460V	51.8/25.9	IE2	H	278	20MFM-3-20-18	2,236.00	15,18,20,23
		1200	180L	90.2	81	230/460V	51.6/25.8	IE2	H	375	20MFM-3-20-12	3,622.00	15,18,20,23
25	18.5	3600	160L	91.7	90	230/460V	56.2/28.1	IE3	N	260	20MFM-3-25-36	2,594.00	15,18,20,23
		1800	180M	92.4	85	230/460V	59.2/29.6	IE2	H	373	20MFM-3-25-18	2,726.00	15,18,20,23
		1200	200L	92	77	230/460V	66/33	IE2	H	624	20MFM-3-25-12	5,845.00	16,18,20,23
30	22	3600	180M	91.7	87	230/460V	69.2/34.6	IE3	N	345	20MFM-3-30-36	3,130.00	15,18,20,23
		1800	180L	92.4	86	230/460V	69.4/34.7	IE2	H	397	20MFM-3-30-18	3,396.00	15,18,20,23
		1200	200L	92.1	79	230/460V	76/38	IE2	H	648	20MFM-3-30-12	6,151.00	16,18,20,23
40	30	3600	200L	92.4	90	230/460V	90/45	IE3	N	585	20MFM-3-40-36	7,275.00	16,18,20,23
		1800	200L	93.4	87	230/460V	92/46	IE2	H	628	20MFM-3-40-18	5,982.00	16,18,20,23
		1200	225M	93	81	230/460V	100/50	IE2	H	836	20MFM-3-40-12	7,952.00	16,18,20,23
50	37	3600	200L	93	88	230/460V	114/57	IE3	N	624	20MFM-3-50-36	8,009.00	16,18,20,23
		1800	225S	93.7	87	230/460V	114/57	IE2	H	811	20MFM-3-50-18	7,666.00	16,18,20,23
		1200	250M	93	81	230/460V	124/62	IE2	H	1010	20MFM-3-50-12	9,958.00	16,18,20,23
60	45	3600	225M	93.6	87	230/460V	138/69	IE3	N	838	20MFM-3-60-36	8,833.00	16,18,20,23
		1800	225M	93.9	87	230/460V	138/69	IE2	H	871	20MFM-3-60-18	8,696.00	16,18,20,23
		1200	280S	93.7	83	230/460V	146/73	IE2	H	1504	20MFM-3-60-12	13,495.00	16,18,20,23
75	55	3600	250M	93.6	90	230/460V	164/82	IE3	N	1085	20MFM-3-75-36	11,457.00	16,18,20,23
		1800	250M	94.1	89	230/460V	164/82	IE2	H	1054	20MFM-3-75-18	9,704.00	16,18,20,23
		1200	280M	94.2	81	230/460V	182/91	IE2	H	1638	20MFM-3-75-12	14,440.00	16,18,20,23
100	75	3600	280S	94.1	90	230/460V	222/111	IE3	N	1444	20MFM-3-100-36	12,803.00	16,18,20,23
		1800	280S	95	89	230/460V	224/112	IE2	H	1495	20MFM-3-100-18	12,761.00	16,18,20,23
		1200	315S	94.5	81	230/460V	246/123	IE2	H	2168	20MFM-3-100-12	19,873.00	16,18,20,23
125	90	3600	280M	95	90	230/460V	264/132	IE3	N	1517	20MFM-3-125-36	15,595.00	16,18,20,23
		1800	280M	95.3	89	230/460V	264/132	IE2	H	1543	20MFM-3-125-18	13,775.00	16,18,20,23
		1200	315M	94.7	81	230/460V	294/147	IE2	H	2366	20MFM-3-125-12	22,096.00	16,18,20,23
150	110	1800	315M	95	90	230/460V	322/161	IE2	H	1995	20MFM-3-150-18	19,583.00	16,18,20,23
220	160	1800	315M	95.5	90	230/460V	468/234	IE2	H	2310	20MFM-3-220-18	27,253.00	16,18,20,23

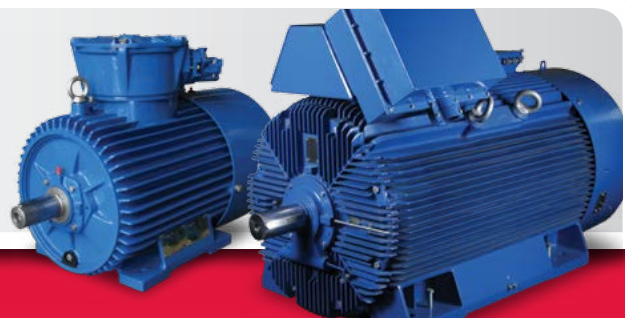
Performance Data & Mounting Dimensions: 20M Series Pages 78-84, 40M Series Pages 77-84

ADVANCED CAPABILITIES

Metric IEC

Large Frame Metric IEC motors up to 6300 HP, Brake, Medium Voltage and more!

→ → → LEARN MORE pages 26-29





IEC Frame Metric Motors – 0.08-220 HP 3PH TEFC 50/60 Hz AC B35 Standard D-Flange Motors

Applications: Designed to meet international standards as replacement motors for overseas applications and machinery such as pumps, conveyors, fans and more.

Features

- Inverter Duty Rated: 5:1CT & 10:1VT at 460V 60 Hz
- Service Factor: up to 1.2 at 460V 60 Hz
- Design: "N" or "H"
- Protection Degree: IP55
- Enclosure: TEFC
- High lock rotor torque
- VPI process applied for best electrical performance
- IEC132 frame and larger suitable for Y/Delta starting
- Electromagnetic compatibility standards: EN 50081-1(2) and EN 50082-1(2)
- Nameplate rated 230/460V 60 Hz and 380/400V 50 Hz
- Oversized ball bearings on both ends for direct coupling
- Class "F" insulation
- Junction box equipped with glands
- F3 mounting position
- Drilled and tapped end shaft
- Drain plugs
- Bidirectional fan
- All motors provided with CE mark
- Warranty: 3-Years

HP	kW	RPM	Frame	EFF	PF	Voltage	Full Load Amps	IEC Class	IEC Design	Net Weight	D-Flange B35 Part Number	List Price	Notes ^(a)
0.08	0.06	1800	56	55	66	230/460V	0.44/0.22	IE1	–	5.9	40MDM-3-.08-18	220.00	13,15,17,19
		3600	56	58	75	230/460V	0.56/0.28	IE1	–	6.6	40MDM-3-.12-36	227.00	13,15,17,19
0.12	0.09	1800	56	61	65	230/460V	0.6/0.3	IE1	–	6.4	40MDM-3-.12-18	227.00	13,15,17,19
		3600	56	63	83	230/460V	0.6/0.3	IE1	–	7.5	40MDM-3-.17-36	231.00	13,15,17,19
0.17	0.12	1800	63	64	72	230/460V	0.7/0.35	IE1	–	7.9	40MDM-3-.17-18	235.00	13,15,17,19
		3600	63	65	80	230/460V	1/0.5	IE1	–	7.9	40MDM-3-.25-36	237.00	13,15,17,19
0.25	0.18	1800	63	64	70	230/460V	1.1/0.55	IE1	–	9.3	40MDM-3-.25-18	243.00	13,15,17,19
		1200	71	57	68	230/460V	1.4/0.7	IE1	–	10.8	40MDM-3-.25-12	275.00	13,15,17,19
		3600	63	68	83	230/460V	1.1/0.55	IE1	–	9.3	40MDM-3-.33-36	250.00	13,15,17,19
0.33	0.25	1800	71	66	68	230/460V	1.4/0.7	IE1	–	10.6	40MDM-3-.33-18	250.00	13,15,17,19
		1200	71	55	70	230/460V	1.8/0.9	IE1	–	12.8	40MDM-3-.33-12	291.00	13,15,17,19
		3600	71	71	68	230/460V	1.8/0.9	IE1	–	11.7	40MDM-3-.50-36	267.00	13,15,17,19
0.5	0.37	1800	71	68	68	230/460V	2/1	IE1	–	13	40MDM-3-.50-18	267.00	13,15,17,19
		1200	80	64	64	230/460V	2.4/1.2	IE1	–	16	40MDM-3-.50-12	352.00	13,15,17,19
		3600	71	75	85	230/460V	2.4/1.2	IE1	–	13.2	40MDM-3-.75-36	291.00	13,15,17,19
0.75	0.55	1800	80	70	72	230/460V	3/1.5	IE1	–	16.5	40MDM-3-.75-18	332.00	13,15,17,19
		1200	80	67	72	230/460V	3.2/1.6	IE1	–	19	40MDM-3-.75-12	396.00	13,15,17,19
		3600	80	74	80	230/460V	3.2/1.6	IE1	–	17.2	40MDM-3-1-36	364.00	13,15,17,19
1	0.75	1800	80	75	73	230/460V	3.4/1.7	IE1	–	19.4	40MDM-3-1-18	339.00	13,15,17,19
		1200	90S	80	65	230/460V	3.6/1.8	IE2	H	36.4	20MDM-3-1-12	716.00	13,14,15,17,19
		3600	80	77	84	230/460V	4.4/2.2	IE1	–	20.1	40MDM-3-1.5-36	395.00	13,15,17,19
1.5	1.1	1800	90S	84	72	230/460V	4.6/2.3	IE2	H	36	20MDM-3-1.5-18	690.00	13,14,15,17,19
		3600	90S	85.5	79	230/460V	5.6/2.8	IE3	N	31	20MDM-3-2-36	671.00	13,14,15,17,19
2	1.5	1800	90L	84	74	230/460V	6/3	IE2	H	42	20MDM-3-2-18	731.00	13,14,15,17,19
		3600	90L	86.5	80	230/460V	8/4	IE3	N	38	20MDM-3-3-36	832.00	13,14,15,17,19
3	2.2	1800	100L	87.5	79	230/460V	8/4	IE2	H	56	20MDM-3-3-18	823.00	13,14,15,17,19
		1200	112M	87.5	72	230/460V	8.8/4.4	IE2	H	71	20MDM-3-3-12	1,237.00	13,14,15,17,19
		3600	90L	86.5	80	230/460V	8/4	IE3	N	38	20MDM-3-3-36	832.00	13,14,15,17,19

Performance Data & Mounting Dimensions: 20M Series Pages 78-84, 40M Series Pages 77-84

Premium Efficient Motors

Motors can be modified from Footed to C-Face or D-Flange and vice versa.

Motors are dual rated for 50 Hz and 60 Hz: 380/400V 50 Hz and 230/460V 60 Hz

^(a) See notes on inside back cover.

IEC Frame Metric, 3-Phase, AC B35 Standard D-Flange Motors

HP	kW	RPM	Frame	EFF	PF	Voltage	Full Load Amps	IEC Class	IEC Design	Net Weight	D-Flange B35 Part Number	List Price	Notes ^(a)
4	3	3600	100L	88.5	81	230/460V	10.6/5.3	IE3	N	59	20MDM-3-4-36	921.00	13,14,15,17,19
		1800	100L	87.5	74	230/460V	11.6/5.8	IE2	H	66	20MDM-3-4-18	947.00	13,14,15,17,19
		1200	132S	87.5	76	230/460V	11.4/5.7	IE2	H	119	20MDM-3-4-12	1,633.00	13,15,18,20,23
5.5	4	3600	112M	89	85	230/460V	13.2/6.6	IE3	N	74	20MDM-3-5-5-36	1,012.00	13,14,15,17,19
		1800	112M	87.5	78	230/460V	14.8/7.4	IE2	H	78	20MDM-3-5-5-18	1,010.00	13,14,15,17,19
		1200	132M	87.5	76	230/460V	15/7.5	IE2	H	146	20MDM-3-5-5-12	1,643.00	13,15,18,20,23
7.5	5.5	3600	132S	89.5	88	230/460V	17.6/8.8	IE3	N	132	20MDM-3-7-5-36	1,254.00	13,15,18,20,23
		1800	132S	89.5	79	230/460V	19.6/9.8	IE2	H	156	20MDM-3-7-5-18	1,426.00	13,15,18,20,23
		1200	132M	89.5	77	230/460V	22.4/11.2	IE2	H	159	20MDM-3-7-5-12	2,668.00	13,15,18,20,23
10	7.5	3600	132S	90.2	91	230/460V	23/11.5	IE3	N	156	20MDM-3-10-36	1,419.00	13,15,18,20,23
		1800	132M	89.5	80	230/460V	26.2/13.1	IE2	H	162	20MDM-3-10-18	1,638.00	13,15,18,20,23
		1200	160M	89.5	80	230/460V	26.2/13.1	IE2	H	221	20MDM-3-10-12	2,764.00	15,18,20,23
15	11	3600	160M	91	86	230/460V	35.2/17.6	IE3	N	212	20MDM-3-15-36	1,978.00	15,18,20,23
		1800	160M	91	80	230/460V	38/19	IE2	H	234	20MDM-3-15-18	2,030.00	15,18,20,23
		1200	160L	90.2	82	230/460V	37.4/18.7	IE2	H	276	20MDM-3-15-12	3,281.00	15,18,20,23
20	15	3600	160M	91	89	230/460V	46.4/23.2	IE3	N	227	20MDM-3-20-36	2,344.00	15,18,20,23
		1800	160L	91	80	230/460V	51.8/25.9	IE2	H	278	20MDM-3-20-18	2,437.00	15,18,20,23
		1200	180L	90.2	81	230/460V	51.6/25.8	IE2	H	375	20MDM-3-20-12	3,948.00	15,18,20,23
25	18.5	3600	160L	91.7	90	230/460V	56.2/28.1	IE3	N	260	20MDM-3-25-36	2,827.00	15,18,20,23
		1800	180M	92.4	85	230/460V	59.2/29.6	IE2	H	373	20MDM-3-25-18	2,971.00	15,18,20,23
		1200	200L	92	77	230/460V	66/33	IE2	H	624	20MDM-3-25-12	6,371.00	16,18,20,23
30	22	3600	180M	91.7	87	230/460V	69.2/34.6	IE3	N	345	20MDM-3-30-36	3,412.00	15,18,20,23
		1800	180L	92.4	86	230/460V	69.4/34.7	IE2	H	397	20MDM-3-30-18	3,702.00	15,18,20,23
		1200	200L	92.1	79	230/460V	76/38	IE2	H	648	20MDM-3-30-12	6,705.00	16,18,20,23
40	30	3600	200L	92.4	90	230/460V	90/45	IE3	N	585	20MDM-3-40-36	7,930.00	16,18,20,23
		1800	200L	93.4	87	230/460V	92/46	IE2	H	628	20MDM-3-40-18	6,520.00	16,18,20,23
		1200	225M	93	81	230/460V	100/50	IE2	H	836	20MDM-3-40-12	8,668.00	16,18,20,23
50	37	3600	200L	93	88	230/460V	114/57	IE3	N	624	20MDM-3-50-36	8,730.00	16,18,20,23
		1800	225S	93.7	87	230/460V	114/57	IE2	H	811	20MDM-3-50-18	8,356.00	16,18,20,23
		1200	250M	93	81	230/460V	124/62	IE2	H	1010	20MDM-3-50-12	10,854.00	16,18,20,23
60	45	3600	225M	93.6	87	230/460V	138/69	IE3	N	838	20MDM-3-60-36	9,628.00	16,18,20,23
		1800	225M	93.9	87	230/460V	138/69	IE2	H	871	20MDM-3-60-18	9,479.00	16,18,20,23
		1200	280S	93.7	83	230/460V	146/73	IE2	H	1504	20MDM-3-60-12	14,710.00	16,18,20,23
75	55	3600	250M	93.6	90	230/460V	164/82	IE3	N	1085	20MDM-3-75-36	12,488.00	16,18,20,23
		1800	250M	94.1	89	230/460V	164/82	IE2	H	1054	20MDM-3-75-18	10,577.00	16,18,20,23
		1200	280M	94.2	81	230/460V	182/91	IE2	H	1638	20MDM-3-75-12	15,740.00	16,18,20,23
100	75	3600	280S	94.1	90	230/460V	222/111	IE3	N	1444	20MDM-3-100-36	13,955.00	16,18,20,23
		1800	280S	95	89	230/460V	224/112	IE2	H	1495	20MDM-3-100-18	13,909.00	16,18,20,23
		1200	315S	94.5	81	230/460V	246/123	IE2	H	2168	20MDM-3-100-12	21,662.00	16,18,20,23
125	90	3600	280M	95	90	230/460V	264/132	IE3	N	1517	20MDM-3-125-36	16,999.00	16,18,20,23
		1800	280M	95.3	89	230/460V	264/132	IE2	H	1543	20MDM-3-125-18	15,015.00	16,18,20,23
		1200	315M	94.7	81	230/460V	294/147	IE2	H	2366	20MDM-3-125-12	24,085.00	16,18,20,23
150	110	1800	315M	95	90	230/460V	322/161	IE2	H	1995	20MDM-3-150-18	21,345.00	16,18,20,23
220	160	1800	315M	95.5	90	230/460V	468/234	IE2	H	2310	20MDM-3-220-18	29,706.00	16,18,20,23

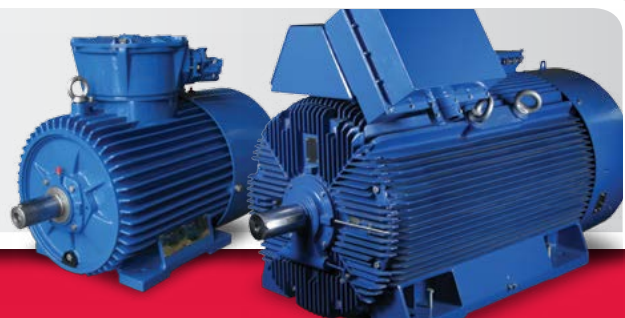
Performance Data & Mounting Dimensions: 20M Series Pages 78-84, 40M Series Pages 77-84

ADVANCED CAPABILITIES

Metric IEC

Large Frame Metric IEC motors up to 6300 HP, Brake, Medium Voltage and more!

→ → → LEARN MORE pages 26-29





IEC Frame Metric Motors – 0.08-20 HP 3PH TEFC 50/60 Hz AC B34 Standard C-Face Motors

Applications: Designed to meet international standards as replacement motors for overseas applications and machinery such as pumps, conveyors, fans and more.

Features

- Inverter Duty Rated: 5:1CT & 10:1VT at 460V 60 Hz
- Service Factor: up to 1.2 at 460V 60 Hz
- Design: "N" or "H"
- Protection Degree: IP55
- Enclosure: TEFC
- High lock rotor torque
- VPI process applied for best electrical performance
- IEC132 frame and larger suitable for Y/Delta starting
- Electromagnetic compatibility standards: EN 50081-1(2) and EN 50082-1(2)
- Nameplate rated 230/460V 60 Hz and 380/400V 50 Hz
- Non-standard B34/1 C-Flange available upon request
- Oversized ball bearings on both ends for direct coupling
- Class "F" insulation
- Junction box equipped with glands
- F3 mounting position
- Drilled and tapped end shaft
- Drain plugs
- Bidirectional fan
- All motors provided with CE mark
- Warranty: 3-Years

HP	kW	RPM	Frame	EFF	PF	Voltage	Full Load Amps	IEC Class	IEC Design	Net Weight	C-Face B34 Part Number	List Price	Notes ^(a)
0.08	0.06	1800	56	55	66	230/460V	0.44/0.22	IE1	–	5.9	40MCM-3-.08-18	220.00	13,15,17,19
		3600	56	58	75	230/460V	0.56/0.28	IE1	–	6.6	40MCM-3-.12-36	227.00	13,15,17,19
0.12	0.09	1800	56	61	65	230/460V	0.6/0.3	IE1	–	6.4	40MCM-3-.12-18	227.00	13,15,17,19
		3600	56	63	83	230/460V	0.6/0.3	IE1	–	7.5	40MCM-3-.17-36	231.00	13,15,17,19
0.17	0.12	1800	63	64	72	230/460V	0.7/0.35	IE1	–	7.9	40MCM-3-.17-18	235.00	13,15,17,19
		3600	63	65	80	230/460V	1/0.5	IE1	–	7.9	40MCM-3-.25-36	237.00	13,15,17,19
0.25	0.18	1800	63	64	70	230/460V	1.1/0.55	IE1	–	9.3	40MCM-3-.25-18	243.00	13,15,17,19
		1200	71	57	68	230/460V	1.4/0.7	IE1	–	10.8	40MCM-3-.25-12	275.00	13,15,17,19
		3600	63	68	83	230/460V	1.1/0.55	IE1	–	9.3	40MCM-3-.33-36	250.00	13,15,17,19
0.33	0.25	1800	71	66	68	230/460V	1.4/0.7	IE1	–	10.6	40MCM-3-.33-18	250.00	13,15,17,19
		1200	71	55	70	230/460V	1.8/0.9	IE1	–	12.8	40MCM-3-.33-12	291.00	13,15,17,19
		3600	71	71	68	230/460V	1.8/0.9	IE1	–	11.7	40MCM-3-.50-36	267.00	13,15,17,19
0.5	0.37	1800	71	68	68	230/460V	2/1	IE1	–	13	40MCM-3-.50-18	267.00	13,15,17,19
		1200	80	64	64	230/460V	2.4/1.2	IE1	–	16	40MCM-3-.50-12	352.00	13,15,17,19
		3600	71	75	85	230/460V	2.4/1.2	IE1	–	13.2	40MCM-3-.75-36	291.00	13,15,17,19
0.75	0.55	1800	80	70	72	230/460V	3/1.5	IE1	–	16.5	40MCM-3-.75-18	332.00	13,15,17,19
		1200	80	67	72	230/460V	3.2/1.6	IE1	–	19	40MCM-3-.75-12	396.00	13,15,17,19
		3600	80	74	80	230/460V	3.2/1.6	IE1	–	17.2	40MCM-3-1-36	364.00	13,15,17,19
1	0.75	1800	80	75	73	230/460V	3.4/1.7	IE1	–	19.4	40MCM-3-1-18	339.00	13,15,17,19
		1200	90S	80	65	230/460V	3.6/1.8	IE2	H	36.4	20MCM-3-1-12	716.00	13,14,15,17,19
		3600	80	77	84	230/460V	4.4/2.2	IE1	–	20.1	40MCM-3-1.5-36	395.00	13,15,17,19
1.5	1.1	1800	90S	84	72	230/460V	4.6/2.3	IE2	H	36	20MCM-3-1.5-18	690.00	13,14,15,17,19
		3600	90S	85.5	79	230/460V	5.6/2.8	IE3	N	31	20MCM-3-2-36	671.00	13,14,15,17,19
		1800	90L	84	74	230/460V	6/3	IE2	H	42	20MCM-3-2-18	731.00	13,14,15,17,19

Performance Data & Mounting Dimensions: 20M Series Pages 78-84, 40M Series Pages 77-84

Premium Efficient Motors

No additional charge for B34/1 (i.e. non-standard reduction B14 - C-Face - flange motor with feet). Add /1 suffix to standard B34 part number when ordering. Ex: 20MCM-3-2-18/1. Motors can be modified from Footed to C-Face or D-Flange and vice versa.

Motors are dual rated for 50 Hz and 60 Hz: 380/400V 50 Hz and 230/460V 60 Hz

^(a) See notes on inside back cover.

IEC Frame Metric, 3-Phase, AC B34 Standard C-Face Motors

HP	kW	RPM	Frame	EFF	PF	Voltage	Full Load Amps	IEC Class	IEC Design	Net Weight	C-Face B34 Part Number	List Price	Notes ^(a)
3	2.2	3600	90L	86.5	80	230/460V	8/4	IE3	N	38	20MCM-3-3-36	832.00	13,14,15,17,19
		1800	100L	87.5	79	230/460V	8/4	IE2	H	56	20MCM-3-3-18	823.00	13,14,15,17,19
		1200	112M	87.5	72	230/460V	8.8/4.4	IE2	H	71	20MCM-3-3-12	1,237.00	13,14,15,17,19
4	3	3600	100L	88.5	81	230/460V	10.6/5.3	IE3	N	59	20MCM-3-4-36	921.00	13,14,15,17,19
		1800	100L	87.5	74	230/460V	11.6/5.8	IE2	H	66	20MCM-3-4-18	947.00	13,14,15,17,19
		1200	132S	87.5	76	230/460V	11.4/5.7	IE2	H	119	20MCM-3-4-12	1,633.00	13,15,18,20,23
5.5	4	3600	112M	89	85	230/460V	13.2/6.6	IE3	N	74	20MCM-3-5-36	1,012.00	13,14,15,17,19
		1800	112M	87.5	78	230/460V	14.8/7.4	IE2	H	78	20MCM-3-5-18	1,010.00	13,14,15,17,19
		1200	132M	87.5	76	230/460V	15/7.5	IE2	H	146	20MCM-3-5-12	1,643.00	13,15,18,20,23
7.5	5.5	3600	132S	89.5	88	230/460V	17.6/8.8	IE3	N	132	20MCM-3-7.5-36	1,254.00	13,15,18,20,23
		1800	132S	89.5	79	230/460V	19.6/9.8	IE2	H	156	20MCM-3-7.5-18	1,426.00	13,15,18,20,23
		1200	132M	89.5	77	230/460V	22.4/11.2	IE2	H	159	20MCM-3-7.5-12	2,668.00	13,15,18,20,23
10	7.5	3600	132S	90.2	91	230/460V	23/11.5	IE3	N	156	20MCM-3-10-36	1,419.00	13,15,18,20,23
		1800	132M	89.5	80	230/460V	26.2/13.1	IE2	H	162	20MCM-3-10-18	1,638.00	13,15,18,20,23
		1200	160M	89.5	80	230/460V	26.2/13.1	IE2	H	221	20MCM-3-10-12	2,764.00	15,18,20,23
15	11	3600	160M	91	86	230/460V	35.2/17.6	IE3	N	212	20MCM-3-15-36	1,978.00	15,18,20,23
		1800	160M	91	80	230/460V	38/19	IE2	H	234	20MCM-3-15-18	2,030.00	15,18,20,23
		1200	160L	90.2	82	230/460V	37.4/18.7	IE2	H	276	20MCM-3-15-12	3,281.00	15,18,20,23
20	15	3600	160M	91	89	230/460V	46.4/23.2	IE3	N	227	20MCM-3-20-36	2,344.00	15,18,20,23
		1800	160L	91	80	230/460V	51.8/25.9	IE2	H	278	20MCM-3-20-18	2,437.00	15,18,20,23

Performance Data & Mounting Dimensions: 20M Series Pages 78-84, 40M Series Pages 77-84

Premium Efficient Motors

No additional charge for B34/1 (i.e. non-standard reduction B14 - C-Face - flange motor with feet). Add /1 suffix to standard B34 part number when ordering. Ex: 20MCM-3-2-18/1. Motors can be modified from Footed to C-Face or D-Flange and vice versa.

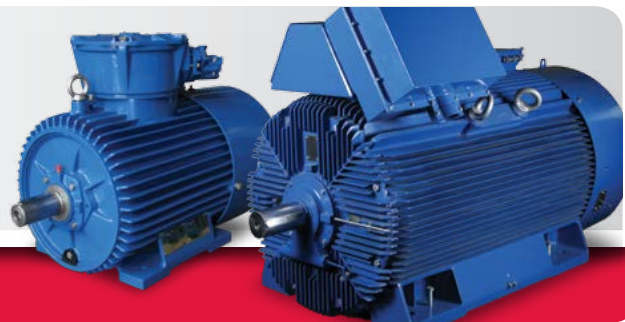
Motors are dual rated for 50 Hz and 60 Hz: 380/400V 50 Hz and 230/460V 60 Hz

^(a) See notes on inside back cover.

ADVANCED CAPABILITIES Metric IEC

Large Frame Metric IEC motors up to 6300 HP,
Brake, Medium Voltage and more!

→ → → LEARN MORE pages 26-29





ADVANCED CAPABILITIES

Low Voltage Metric IEC

Special Order Metric IEC Motors

IEC Frame Metric ATEX Certified Explosion Proof – 1-220 HP

3PH TEFC 50/60 Hz IEC AC Foot Mounted and D-Flange Motors



Applications: Designed for the hazardous applications found in the petroleum, natural gas, chemical and industrial paint industries where explosive mixtures of combustible gas, vapor or dust, classified as Group II, Temperature Class T5 or lower, may exist. Motors can be operated in Zone 1 & 2.

Features

- ATEX Certified
- Inverter Duty Rated
- Vacuum pressure impregnation (VPI) for the most dependable failsafe electrical performance
- Protection Degree: IP55
- Enclosure: TEFC F3 rigid cast iron frame
- Duty S1
- Voltage 400V and more available
- Class "F" insulation
- Ambient temperature from 20°C to +40°C (Class T5)
- Increased safety of terminal box
- Terminal box with 1 cable inlet
- Cable inlet Ant. terminals adapted for cable with copper wires
- 3 terminals for direct on-line starting
- According to standards: PN-EN 60034-1, PN-EN 60079-0, PN-EN 60079-1, PN-EN 60079-7
- Classified to Category 2G according to Directive 94/9/WE (ATEX)
- Warranty: 3-Years

Non-stock item available by special order.
**** For Export Market ****

IEC Large Frame Low Voltage Metric Motors – 220-1500 HP

3PH TEFC 50/60 Hz AC B3 Foot Mounted Motors



Applications: Designed to meet international standards as replacement motors for overseas applications and machinery such as pumps, conveyors, fans and more.

Features

- Inverter Duty Rated
- Design: "N" or "H"
- Protection Degree: IP55 or better
- Enclosure: TEFC
- High efficiency motors
- Vacuum pressure impregnation (VPI) for the most dependable failsafe electrical performance
- Electromagnetic compatibility standards: EN 50081-1(2) and EN 50082-1(2)
- Nameplate rated 380/400V 50 Hz or 460V 60 Hz
- Reduced vibration and noise level
- Class "F" insulation
- Oversized ball bearings on both ends for direct coupling
- Junction box equipped with glands
- F3 mounting position
- Drilled and tapped end shaft
- Drain plugs
- Bidirectional fan
- D-Flange available for most sizes
- All motors provided with CE mark
- Warranty: 12-Months from Installation, 18-Months from Purchase Date

Non-stock item available by special order.

Additional Special Order Metric Lines



- IEC Frame Medium Voltage Motors, 220-6300 HP, **Pages 28-29**
- IEC Frame Metric Brake Motors, 1-220 HP
- IEC Frame Metric 1-Phase Phase Motors, 0.50-3 HP, **For Export Market**
- IEC Frame Metric 3-Phase Motors with Foreign Cooling, 0.75-25 HP, **For Export Market**
- IEC Frame Metric Increased Safety Explosion Proof Motors, 1-30 HP, **For Export Market**
- IEC Frame Metric Marine Duty Motors, 0.25-30 HP, **For Ships and Export Market**

Some inventory available from stock. Please call 855-463-5358 for price, availability and/or special order.



ADVANCED CAPABILITIES

Medium Voltage

Special Order NEMA, Above NEMA and Metric IEC Motors

NEMA and Above NEMA Medium Voltage – 150-2500 HP

3PH TEFC 60 Hz NEMA AC Foot Mounted Motors

Applications: Ideal for applications requiring a NEMA high efficiency, reliability and low cost of ownership such as waste water treatment plants, cement and chemical plants, refineries and more.

Features

- 150 to 2500 HP, N5009-N8810
- 3600, 1800, 1200, 900 and 750 RPM
- TEFC cast iron fin frame
- Extra mounting holes for added versatility
- Multiple Voltages available including 2300V, 4160V, 6600V and 11000V
- Vacuum pressure impregnation (VPI) for the most dependable failsafe electrical performance
- Class F insulation
- Temperature rise Class B @ 1.0 service factor, Class F @ 1.15 service factor
- Big cast iron or steel plate junction box
- Quieter operation < 85 dBA
- Continuous Duty
- 40°C ambient temperature
- 3300' altitude
- Warranty: 12-Months from Installation, 18-Months from Purchase Date

Non-stock item available by special order.

IEC Frame Metric Medium Voltage – 220-6500 HP

3PH TEFC 50/60 Hz IEC AC Foot Mounted Motors

Applications: Ideal for applications requiring Metric IEC high efficiency, reliability and low cost of ownership such as waste water treatment plants, cement and chemical plants, refineries and more.

Features

- 220 to 6300 HP, IEC315-710
- 3000/3600, 1500/1800, 1000/1200, 750/900 and 600/750 RPM
- TEFC welded or cast iron frame
- Extra mounting holes for added versatility
- Multiple Voltages available up to 11kV
- Vacuum pressure impregnation (VPI) for the most dependable failsafe electrical performance
- Class F insulation
- Low Vibration Level < 1.8 mm/s RMS
- Thermal winding protection 6 x RTD's (2 per phase)
- Thermal bearing protection 2 x RTD's (1 per bearing)
- Continuous Duty
- -20°C up to +40°C ambient temperature
- 3300' altitude
- Warranty: 12-Months from Installation, 18-Months from Purchase Date



Non-stock item available by special order.



JM Close Coupled Pump – 1-60 HP

3PH TEFC 60 Hz NEMA AC C-Face Footed Motors

Applications: Designed for continuous duty on close coupled pumps with NEMA JM mounting dimensions which are ideal for fluid circulation and transfer applications ranging from treatment plants to swimming pools.

Features

- Inverter Duty Rated: 20:1VT
- Service Factor: up to 1.4
- Design: "B" or "A"
- Protection Degree: IP55
- Enclosure: TEFC
- VPI process applied for best electrical performance
- High lock rotor torque
- Dual rated for 190/380V 50 Hz
- Oversized bearings on both ends
- Mechanically locked on shaft
- Class "F" insulation with Class "B" rise
- Rigid cast iron frame
- Steel fan guard
- F1 mounting position
- Drain plugs
- Designed for horizontal and vertical application
- CSA-US certified, DOE approved and CE marked
- 20J Series motors are NEMA Premium® marked
- Warranty: 3-Years

HP	RPM	Frame	EFF	PF	Voltage	Full Load Amps	Service Factor	NEMA Design	Net Weight	JM Part Number	List Price	Notes (a)
1	1800	143JM	85.5	78	208-230/460V	3.1-2.8/1.4	1.4	B	53	20JM-3-1-18	592.00	4,15,22
	3600	143JM	84.5	78	208-230/460V	4.6-4.2/2.1	1.4	B	56	20JM-3-1.5-36	601.00	4,15,22
1.5	1800	145JM	87	79	208-230/460V	4.4-4/2	1.4	B	57	20JM-3-1.5-18	605.00	4,15,22
	3600	145JM	86	82	208-230/460V	6-5.4/2.7	1.4	B	57	20JM-3-2-36	648.00	4,15,22
2	1800	145JM	86.5	83	208-230/460V	5.8-5.2/2.6	1.4	B	59	20JM-3-2-18	710.00	4,15,22
	3600	182JM	86.5	82	208-230/460V	8.8-8/4	1.4	B	76	20JM-3-3-36	807.00	4,15,22
3	1800	182JM	89.5	75	208-230/460V	9.3-8.4/4.2	1.4	A	102	20JM-3-3-18	818.00	4,15,22
	3600	184JM	89	85	208-230/460V	13.7-12.4/6.2	1.4	A	102	20JM-3-5-36	998.00	4,15,22
5	1800	184JM	89.5	78	208-230/460V	14.8-13.4/6.7	1.3	A	108	20JM-3-5-18	977.00	4,15,22
	3600	213JM	90	92	208-230/460V	18.8-17/8.5	1.3	A	159	20JM-3-7.5-36	1,181.00	4,15,23
7.5	1800	213JM	91.7	82	208-230/460V	20.6-18.6/9.3	1.3	A	167	20JM-3-7.5-18	1,291.00	4,15,23
	3600	215JM	90.2	91	208-230/460V	25.2-22.8/11.4	1.3	A	173	20JM-3-10-36	1,373.00	4,15,23
10	1800	215JM	91.7	82	208-230/460V	27.6-25/12.5	1.3	A	185	20JM-3-10-18	1,521.00	4,15,23
	3600	254JM	91.7	87	208-230/460V	38.9-35.2/17.6	1.3	B	258	20JM-3-15-36	1,868.00	4,15,23
15	1800	254JM	92.4	88	208-230/460V	38.3-34.6/17.3	1.3	A	301	20JM-3-15-18	1,919.00	4,15,23
	3600	256JM	92	89	208-230/460V	50.6-45.8/22.9	1.3	B	306	20JM-3-20-36	2,298.00	4,15,23
20	1800	256JM	93	88	208-230/460V	50.6-45.8/22.9	1.2	A	390	20JM-3-20-18	2,314.00	4,15,23
	3600	284JM	92.4	86	208-230/460V	65.2-59/29.5	1.2	A	348	20JM-3-25-36	2,848.00	4,15,23
25	1800	284JM	93.6	82	208-230/460V	67.5-61/30.5	1.2	A	397	20JM-3-25-18	2,816.00	4,15,23
	3600	286JM	91.7	87	208-230/460V	77.8-70.4/35.2	1.2	A	390	20JM-3-30-36	3,367.00	4,9,15,23
30	1800	286JM	93.6	80	208-230/460V	82.9-75/37.5	1.2	A	441	20JM-3-30-18	3,575.00	4,9,15,23
	3600	324JM	93	92	208-230/460V	97.3-88/44	1.2	B	608	20JM-3-40-36	6,200.00	9,13,16,23
40	1800	324JM	94.1	88	208-230/460V	99.5-90/45	1.3	B	690	20JM-3-40-18	6,705.00	9,13,16,23
	3600	326JM	93	92	208-230/460V	121.6-110/55	1.2	B	655	20JM-3-50-36	6,522.00	9,13,16,23
50	1800	326JM	94.5	88	208-230/460V	123.8-112/56	1.3	B	769	20JM-3-50-18	7,188.00	9,13,16,23
	3600	364JM	93.6	92	208-230/460V	143.8-130/65	1.2	B	860	20JM-3-60-36	8,468.00	9,13,16,23
60	1800	364JM	95	88	208-230/460V	148.2-134/67	1.2	B	926	20JM-3-60-18	8,512.00	9,13,16,23

Performance Data & Mounting Dimensions: 20J Series Pages 85-87

Premium Efficient Motors

(a) See notes on inside back cover.



JP Close Coupled Pump – 1-60 HP

3PH TEFC 60 Hz NEMA AC C-Face Footed Motors

Applications: Designed for continuous duty on close coupled pumps with NEMA JP mounting dimensions which are ideal for fluid circulation and transfer applications ranging from treatment plants to swimming pools.

Features

- Inverter Duty Rated: 20:1VT
- Service Factor: up to 1.4
- Design: "B" or "A"
- Protection Degree: IP55
- Enclosure: TEFC
- VPI process applied for best electrical performance
- Oversized bearings on both ends
- Mechanically locked on shaft
- Class "F" insulation with Class "B" rise
- Rigid cast iron frame and steel fan guard
- Designed for horizontal and vertical application
- CSA-US certified, DOE approved and CE marked
- 20J Series motors are NEMA Premium® marked
- Warranty: 3-Years

HP	RPM	Frame	EFF	PF	Voltage	Full Load Amps	Service Factor	NEMA Design	Net Weight	JP Part Number	List Price	Notes (a)
1	1800	143JP	85.5	78	208-230/460V	3.1-2.8/1.4	1.4	B	53	20JP-3-1-18	610.00	4,15,22
1.5	3600	143JP	84.5	78	208-230/460V	4.6-4.2/2.1	1.4	B	56	20JP-3-1.5-36	619.00	4,15,22
	3600	143JP	82.5	87	208-230/460V	4.2-4/2	1.3	B	51	40JP-3-1.5-36	454.00	4,15,22
	1800	145JP	87	79	208-230/460V	4.4-4/2	1.4	B	57	20JP-3-1.5-18	667.00	4,15,22
	1800	145JP	84	79	208-230/460V	4.6-4.2/2.1	1.4	B	54	40JP-3-1.5-18	470.00	4,15,22
2	3600	145JP	86	82	208-230/460V	6-5.4/2.7	1.4	B	57	20JP-3-2-36	668.00	4,15,22
	3600	145JP	84	87	208-230/460V	5.3-5.2/2.6	1.4	B	57	40JP-3-2-36	501.00	4,15,22
	1800	145JP	86.5	83	208-230/460V	5.8-5.2/2.6	1.4	B	59	20JP-3-2-18	731.00	4,15,22
	1800	145JP	84	82	208-230/460V	5.8-5.4/2.7	1.4	B	56	40JP-3-2-18	523.00	4,15,22
3	3600	182JP	86.5	82	208-230/460V	8.8-8/4	1.4	B	76	20JP-3-3-36	832.00	4,15,22
	3600	182JP	85.5	86	208-230/460V	8.9-7.6/3.8	1.4	B	75	40JP-3-3-36	623.00	4,15,22
	1800	182JP	89.5	75	208-230/460V	9.3-8.4/4.2	1.4	A	102	20JP-3-3-18	843.00	4,15,22
5	3600	184JP	89	85	208-230/460V	13.7-12.4/6.2	1.4	A	102	20JP-3-5-36	1,028.00	4,15,22
	1800	184JP	89.5	78	208-230/460V	14.8-13.4/6.7	1.3	A	108	20JP-3-5-18	1,007.00	4,15,22
	1800	184JP	87.5	86	208-230/460V	13.8-12.4/6.2	1.3	B	103	40JP-3-5-18	708.00	4,15,22
7.5	3600	213JP	90	92	208-230/460V	18.8-17/8.5	1.3	A	159	20JP-3-7.5-36	1,216.00	4,15,23
	1800	213JP	91.7	82	208-230/460V	20.6-18.6/9.3	1.3	A	167	20JP-3-7.5-18	1,330.00	4,15,23
10	3600	215JP	90.2	91	208-230/460V	25.2-22.8/11.4	1.3	A	173	20JP-3-10-36	1,414.00	4,15,23
	1800	215JP	91.7	82	208-230/460V	27.6-25/12.5	1.3	A	185	20JP-3-10-18	1,566.00	4,15,23
15	3600	254JP	91.7	87	208-230/460V	38.9-35.2/17.6	1.3	B	258	20JP-3-15-36	1,924.00	4,15,23
	1800	254JP	92.4	88	208-230/460V	38.3-34.6/17.3	1.3	A	301	20JP-3-15-18	1,977.00	4,15,23
20	3600	256JP	92	89	208-230/460V	50.6-45.8/22.9	1.3	B	306	20JP-3-20-36	2,367.00	4,15,23
	1800	256JP	93	88	208-230/460V	50.6-45.8/22.9	1.2	A	390	20JP-3-20-18	2,383.00	4,15,23
25	3600	284JP	92.4	86	208-230/460V	65.2-59/29.5	1.2	A	348	20JP-3-25-36	2,933.00	4,15,23
	3600	284JP	91	87	208-230/460V	65.2-59/29.5	1.15	B	335	40JP-3-25-36	2,152.00	4,15,23
	1800	284JP	93.6	82	208-230/460V	67.5-61/30.5	1.2	A	397	20JP-3-25-18	2,900.00	4,15,23
30	3600	286JP	91.7	87	208-230/460V	77.8-70.4/35.2	1.2	A	390	20JP-3-30-36	3,468.00	4,9,15,23
	3600	286JP	91	88	208-230/460V	76.1-70.2/35.1	1.15	B	388	40JP-3-30-36	2,549.00	4,9,15,23
	1800	286JP	93.6	80	208-230/460V	82.9-75/37.5	1.2	A	441	20JP-3-30-18	3,683.00	4,9,15,23
40	3600	324JP	93	92	208-230/460V	97.3-88/44	1.2	B	608	20JP-3-40-36	6,199.00	9,13,16,23
	1800	324JP	94.1	88	208-230/460V	99.5-90/45	1.3	B	690	20JP-3-40-18	6,705.00	9,13,16,23
50	3600	326JP	93	92	208-230/460V	121.6-110/55	1.2	B	655	20JP-3-50-36	6,524.00	9,13,16,23
	1800	326JP	94.5	88	208-230/460V	123.8-112/56	1.3	B	769	20JP-3-50-18	7,190.00	9,13,16,23
60	3600	364JP	93.6	92	208-230/460V	143.8-130/65	1.2	B	860	20JP-3-60-36	8,467.00	9,13,16,23
	1800	364JP	95	88	208-230/460V	148.2-134/67	1.2	B	926	20JP-3-60-18	8,512.00	9,13,16,23

Performance Data & Mounting Dimensions: 20J Series Pages 85-87, 40J Series Page 88

Premium Efficient Motors

Discontinued motors. Existing inventory while supplies last.

Non-stock item may be available in limited supply or by special order. Contact Elektrim at 855-Go-Elektrim or support@elektrimmotors.com for details.

(a) See notes on inside back cover.



TEFC JM/JP Motors for ODP Replacement – 1-30 HP 3PH TEFC 60 Hz NEMA AC C-Face Footed Motors

Applications: TEFC NEMA JM/JP motors designed to replace ODP motors in continuous duty close coupled pumps fluid circulation and transfer applications ranging from treatment plants to swimming pools.

Features

- Inverter Duty Rated
- Design: "B"
- Protection Degree: IP55
- Enclosure: TEFC
- VPI process applied for best electrical performance
- Oversized bearings on both ends
- Mechanically locked on shaft
- Class "F" insulation
- Rigid cast iron frame
- Steel fan guard
- F1 mounting position
- Drain plugs
- Designed for horizontal and vertical application
- CSA-US certified and CE marked
- Warranty: 3-Years

HP	RPM	Frame	EFF	PF	Voltage	Full Load Amps	NEMA Design	Net Weight	JM Part Number	List Price	Notes ^(a)
1.5	1800	143JM	84.0	86	230/460V	3.8/1.9	B	57	20JM-3-1.5-18/PR	672.00	4,15,22
2	3600	143JM	84.0	84	230/460V	5.4/2.7	B	57	20JM-3-2-36/PR	681.00	4,15,22
	1800	145JM	84.0	88	230/460V	5/2.5	B	59	20JM-3-2-18/PR	685.00	4,15,22
3	3600	145JM	85.5	89	230/460V	7.4/3.7	B	76	20JM-3-3-36/PR	728.00	4,15,22
5	1800	182JM	87.5	84	230/460V	12.8/6.4	B	108	20JM-3-5-18/PR	898.00	4,15,22
7.5	3600	184JM	88.5	89	230/460V	17.8/8.9	B	159	20JM-3-7.5-36/PR	1,078.00	4,15,23
10	3600	213JM	89.5	93	230/460V	22.4/11.2	B	173	20JM-3-10-36/PR	1,261.00	4,15,23
	1800	213JM	89.5	88	230/460V	23.8/11.9	B	185	20JM-3-10-18/PR	1,371.00	4,15,23
15	3600	215JM	90.2	95	230/460V	32.8/16.4	B	258	20JM-3-15-36/PR	1,453.00	4,15,23
20	3600	254JM	90.2	88	230/460V	47.2/23.6	B	306	20JM-3-20-36/PR	1,948.00	4,15,23
	1800	254JM	91.0	92	230/460V	43.8/22.4	B	390	20JM-3-20-18/PR	1,999.00	4,15,23
25	3600	256JM	91.0	90	230/460V	57.2/28.6	B	348	20JM-3-25-36/PR	2,378.00	4,15,23
	1800	256JM	92.4	91	230/460V	55.6/77.8	B	397	20JM-3-25-18/PR	2,394.00	4,15,23
30	3600	284JM	91.7	89	230/460V	68.8/34.4	B	390	20JM-3-30-36/PR	2,928.00	4,9,15,23

Performance Data & Mounting Dimensions: 20J Series Pages 85-87

HP	RPM	Frame	EFF	PF	Voltage	Full Load Amps	NEMA Design	Net Weight	JP Part Number	List Price	Notes ^(a)
1.5	1800	143JP	84.0	86	230/460V	3.8/1.9	B	57	20JP-3-1.5-18/PR	690.00	4,15,22
2	3600	143JP	84.0	84	230/460V	5.4/2.7	B	57	20JP-3-2-36/PR	699.00	4,15,22
	1800	145JP	84.0	88	230/460V	5/2.5	B	59	20JP-3-2-18/PR	747.00	4,15,22
3	3600	145JP	85.5	89	230/460V	7.4/3.7	B	76	20JP-3-3-36/PR	748.00	4,15,22
5	1800	182JP	87.5	84	230/460V	12.8/6.4	B	108	20JP-3-5-18/PR	923.00	4,15,22
7.5	3600	184JP	88.5	89	230/460V	17.8/8.9	B	159	20JP-3-7.5-36/PR	1,108.00	4,15,23
10	3600	213JP	89.5	93	230/460V	22.4/11.2	B	173	20JP-3-10-36/PR	1,296.00	4,15,23
	1800	213JP	89.5	88	230/460V	23.8/11.9	B	185	20JP-3-10-18/PR	1,410.00	4,15,23
15	3600	215JP	90.2	95	230/460V	32.8/16.4	B	258	20JP-3-15-36/PR	1,494.00	4,15,23
20	3600	254JP	90.2	88	230/460V	47.2/23.6	B	306	20JP-3-20-36/PR	2,004.00	4,15,23
	1800	254JP	91.0	92	230/460V	43.8/22.4	B	390	20JP-3-20-18/PR	2,057.00	4,15,23
25	3600	256JP	91.0	90	230/460V	57.2/28.6	B	348	20JP-3-25-36/PR	2,447.00	4,15,23
	1800	256JP	92.4	91	230/460V	55.6/77.8	B	397	20JP-3-25-18/PR	2,463.00	4,15,23
30	3600	284JP	91.7	89	230/460V	68.8/34.4	B	390	20JP-3-30-36/PR	3,013.00	4,9,15,23

Performance Data & Mounting Dimensions: 20J Series Pages 85-87

^(a) See notes on inside back cover.



Design D Oil Well Pump – 3-100 HP

3PH TEFC 60 Hz NEMA AC Foot Mounted Motors

Applications: Designed with greater versatility and added benefit for pump jack and other oil field applications requiring a high slip.

Features

- Service Factor: 1.15
- Design: High Torque “D” (5-8% Slip)
- Protection Degree: IP55
- Enclosure: TEFC
- VPI process applied for best electrical performance
- Corrosion resistant epoxy coated
- F2 mounting position (convertible to F1)
- Double delta/delta connection (12 leads)
- Rigid cast iron construction and junction box
- Steel fan guard
- Oversized regreasable bearings on both ends
- Double drilled feet
- Drainage holes at motor’s lowest point
- Grounding terminal inside junction box and on frame
- PTC thermistors in windings
- Stainless steel nameplate with connection diagram
- CSA-US approved and CE marked
- Warranty: 3-Years

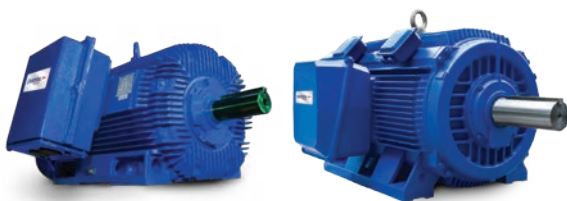
34N Series formerly branded as Elektrimax.
 See page 1 for details.

HP	RPM	Frame	EFF	PF	Voltage	Full Load Amps	Service Factor	NEMA Design	Net Weight	Footed Part Number	List Price	Notes ^(a)
3	1200	213T	80.3	69	208-230/460V	11.1-10/5	1.15	D	179	34NFM-3-3-12	898.00	25
5	1200	215T	80.8	71	208-230/460V	17.9-16.2/8.1	1.15	D	205	34NFM-3-5-12	1,097.00	25
7.5	1200	254T	79.1	74	208-230/460V	26.1-23.6/11.8	1.15	D	342	34NFM-3-7.5-12	1,543.00	25
10	1200	256T	81.4	74	208-230/460V	34.3-31/15.5	1.15	D	368	34NFM-3-10-12	1,767.00	25
15	1200	284T	84.7	79	208-230/460V	45.3-41/20.5	1.15	D	488	34NFM-3-15-12	2,377.00	25
20	1200	286T	84.6	81	208-230/460V	60.6-54.8/27.4	1.15	D	518	34NFM-3-20-12	2,698.00	25
25	1200	324T	86.7	81	208-230/460V	72.5-65.6/32.8	1.15	D	662	34NFM-3-25-12	3,051.00	25
30	1200	326T	86.6	82	208-230/460V	85.6-77.4/38.7	1.15	D	677	34NFM-3-30-12	3,597.00	25
40	1200	365T	86	83	208-230/460V	115.9-104.8/52.4	1.15	D	887	34NFM-3-40-12	4,873.00	25
50	1200	404T	87.3	88	208-230/460V	133.6-120.8/60.4	1.15	D	904	34NFM-3-50-12	5,871.00	25
60	1200	405T	87	87	208-230/460V	164.5-148.8/74.4	1.15	D	1303	34NFM-3-60-12	6,599.00	25
75	1200	444T	89.3	87	230/460V	197-178.2/89.1	1.15	D	1729	34NFM-3-75-12	8,861.00	26
100	1200	445T	89.5	87	230/460V	266.7-241.2/120.6	1.15	D	1846	34NFM-3-100-12	11,795.00	26

Performance Data & Mounting Dimensions: 34N Series Page 89

Non-stock item may be available in limited supply or by special order. Contact Elektrim at 855-Go-Elektrim or support@elektrimmotors.com for details.

^(a) See notes on inside back cover.



Crusher Duty – 125-600 HP

3PH TEFC 60 Hz NEMA AC Foot Mounted Motors

Applications: Ideal for mining, quarry and other aggregate operations which require a durable, robust construction and unshakable crusher performance for continuous operation for years to come.

Features

- Inverter Duty Rated: 5:1CT & 10:1VT
- Service Factor: up to 1.20
- Design: High Starting Torque
- Protection Degree: IP55
- Enclosure: TEFC
- VPI process applied for best electrical performance
- Dual rated for 380V 50 Hz at lower HP output
- Double delta connection (12 leads)
- Roller bearing on DE side for belt drive applications
- Regreaseable bearings
- 4140 equivalent steel shaft
- Unibody design
- Class "F" insulation with Class "B" rise
- Large junction box
- Thermistors and space heaters standard (449T and up) on 33N and 40N Series only
- Suitable for wye/delta starting and part winding starting
- Designed for horizontal applications
- Rigid 200 grade cast iron frame and brackets
- F1 mounting position
- CSA-US certified and CE marked
- Warranty: 3-Years

32N and 33NFC Series formerly branded as Elektrimax.
See page 1 for details.

HP	RPM	Frame	EFF	PF	Voltage	Full Load Amps	Service Factor	NEMA Design	Net Weight	Footed Part Number	List Price	Notes (a)
125	1800	444T	95.4	88	460V	139.4	1.20	B	1433	32NFM-3-125-18	12,375.00	4
	1200	445T	95.0	86	460V	143.3	1.20	B	1587	32NFM-3-125-12	14,465.00	4
150	1800	445T	95.8	88	460V	166.6	1.20	B	1565	32NFM-3-150-18	14,618.00	4
	1200	447T	95.8	86	460V	170.5	1.20	B	1885	32NFM-3-150-12	17,790.00	4
200	1800	449T	96.2	88	460V	221.2	1.20	B	1907	32NFM-3-200-18	17,428.00	4
	1200	449T	95.8	86	460V	227.3	1.20	B	2182	32NFM-3-200-12	20,151.00	4
250	1800	449T	96.2	88	460V	276.5	1.20	B	1872	32NFM-3-250-18	21,458.00	4
	1200	449T	95.0	81	460V	304	1.15	C	2645	40NFC-3-250-12	32,789.00	4
300	1800	449T	95.4	87	460V	338	1.15	C	2665	40NFC-3-300-18	30,567.00	4
	1200	449T	95.0	81	460V	365	1.15	C	2900	40NFC-3-300-12	33,789.00	4
350	1800	449T	95.4	87	460V	395	1.15	C	2830	40NFC-3-350-18	32,013.00	4
	1200	587UZ	95.0	86	460V	401	1.15	C	3877	33NFC-3-350-12/5UZ	34,334.00	
400	1800	449T	95.2	87	460V	452	1.0	C	2830	40NFC-3-400-18	33,411.00	4
	1800	587UZ	95.5	90	460V	436	1.15	C	4549	33NFC-3-400-18/5UZ	34,269.00	
	1200	587UZ	95.0	86	460V	458	1.15	C	4695	33NFC-3-400-12/5UZ	36,122.00	
500	1800	588UZ	95.5	90	460V	545	1.15	C	4300	33NFC-3-500-18/5UZ	41,629.00	
	1200	588UZ	95.0	86	460V	573	1.15	C	4420	33NFC-3-500-12/5UZ	43,113.00	
600	1800	588UZ	95.5	90	460V	654	1.15	C	4420	33NFC-3-600-18/5UZ	44,246.00	

Performance Data & Mounting Dimensions: 32NFM Series Pages 69-70, 33NFC and 40NFC Series Pages 90-91

Non-stock item may be available in limited supply or by special order. Contact Elektrim at 855-Go-Elektrim or support@elektrimmotors.com for details.

(a) See notes on inside back cover.



Brake Motor – 1-30 HP

3PH TEFC 60 Hz NEMA AC Foot Mounted Motors

Applications: Outstanding durability and performance ideal for hoists, cranes, conveyors, machine tools, speed reducers and other industrial applications where a quick stop and positive holding torque are necessary.

Features

- Inverter Duty Rated: 10:1CT & 20:1VT
- Service Factor: up to 1.4
- Design: "B" or "A"
- Protection Degree: IP55
- Enclosure: TEFC
- High locked rotor and brake torque
- VPI process applied for best electrical performance
- DC Disc brake with 460V AC rectifier, 230V AC rectifier available upon request
- Class "F" insulation with rise below Class "B"
- Manual release
- Oversized double-shielded bearings
- Rigid cast iron frame
- F1 / F2 convertible
- Drain plugs
- CSA-US, DOE approved and CE marked
- 20N Series motors are NEMA Premium® marked
- Warranty: 3-Years

HP	RPM	Frame	EFF	PF	Voltage	Full Load Amps	Service Factor	NEMA Design	Net Weight	Footed Part Number	List Price	Notes (a)
1	1800	143T	85.5	78	208-230/460V	3.1-2.8/1.4	1.4	B	53	20NFB-3-1-18	1,496.00	22
	1200	145T	82.5	68	208-230/460V	3.8-3.4/1.7	1.4	B	55	20NFB-3-1-12	1,540.00	22
1.5	3600	143T	84.5	78	208-230/460V	4.6-4.2/2.1	1.4	B	56	20NFB-3-1.5-36	1,453.00	22
	1800	145T	87	79	208-230/460V	4.4-4/2	1.4	B	57	20NFB-3-1.5-18	1,543.00	22
	1200	182T	87.5	68	208-230/460V	5.3-4.8/2.4	1.4	B	85	20NFB-3-1.5-12	2,069.00	22
2	3600	145T	86	82	208-230/460V	6-5.4/2.7	1.4	B	57	20NFB-3-2-36	1,512.00	22
	1800	145T	86.5	83	208-230/460V	5.8-5.2/2.6	1.4	B	59	20NFB-3-2-18	1,582.00	22
	1200	184T	88.5	72	208-230/460V	6.6-6/3	1.4	B	98	20NFB-3-2-12	2,222.00	22
3	3600	182T	86.5	82	208-230/460V	8.8-8/4	1.4	B	76	20NFB-3-3-36	2,012.00	22
	1800	182T	89.5	75	208-230/460V	9.3-8.4/4.2	1.4	A	102	20NFB-3-3-18	2,159.00	22
	1200	213T	89.5	74	208-230/460V	9.3-8.4/4.2	1.4	B	205	20NFB-3-3-12	2,602.00	23
5	3600	184T	89	85	208-230/460V	13.7-12.4/6.2	1.4	A	102	20NFB-3-5-36	2,273.00	22
	1800	184T	89.5	78	208-230/460V	14.8-13.4/6.7	1.3	A	108	20NFB-3-5-18	2,348.00	22
	1200	215T	89.5	75	208-230/460V	15.5-14/7	1.3	B	220	20NFB-3-5-12	2,956.00	23
7.5	3600	213T	90	92	208-230/460V	18.8-17/8.5	1.3	A	159	20NFB-3-7.5-36	2,727.00	23
	1800	213T	91.7	82	208-230/460V	20.6-18.6/9.3	1.3	A	167	20NFB-3-7.5-18	2,948.00	23
	1200	254T	91	74	208-230/460V	23-20.8/10.4	1.3	A	321	20NFB-3-7.5-12	4,031.00	23
10	3600	215T	90.2	91	208-230/460V	25.2-22.8/11.4	1.3	A	173	20NFB-3-10-36	2,973.00	23
	1800	215T	91.7	82	208-230/460V	27.6-25/12.5	1.3	A	185	20NFB-3-10-18	2,995.00	23
	1200	256T	91	77	208-230/460V	29.6-26.8/13.4	1.3	A	363	20NFB-3-10-12	4,112.00	23
15	3600	254T	91.7	87	208-230/460V	38.9-35.2/17.6	1.3	B	258	20NFB-3-15-36	4,036.00	23
	1800	254T	92.4	88	208-230/460V	38.3-34.6/17.3	1.3	A	301	20NFB-3-15-18	4,312.00	23
	1200	284T	91.7	79	208-230/460V	43.1-39/19.5	1.3	A	371	20NFB-3-15-12	5,434.00	23
20	3600	256T	92	89	208-230/460V	50.6-45.8/22.9	1.3	B	306	20NFB-3-20-36	4,390.00	23
	1800	256T	93	88	208-230/460V	50.6-45.8/22.9	1.2	A	390	20NFB-3-20-18	4,816.00	23
	1200	286T	91.7	80	208-230/460V	56.4-51/25.5	1.2	A	421	20NFB-3-20-12	6,216.00	23
25	3600	284TS	92.4	86	208-230/460V	65.2-59/29.5	1.2	A	348	20NFB-3-25-36	4,960.00	23
	1800	284T	93.6	82	208-230/460V	67.5-61/30.5	1.2	A	397	20NFB-3-25-18	5,736.00	23
30	3600	286TS	91.7	87	208-230/460V	77.8-70.4/35.2	1.2	A	390	20NFB-3-30-36	5,457.00	23
	1800	286T	93.6	80	208-230/460V	82.9-75/37.5	1.2	A	441	20NFB-3-30-18	5,969.00	23

Performance Data & Mounting Dimensions: 20N Series Pages 92-94

Premium Efficient Motors

Some limited discontinued EPACT motors available while supplies last. Contact Elektrim at 855-Go-Elektrim or support@elektrimmotors.com for details. Motors can be modified from Footed to C-Face and vice versa.

(a) See notes on inside back cover.



Brake Motor – 1-30 HP

3PH TEFC 60 Hz NEMA AC C-Face Motors

Applications: Outstanding durability and performance ideal for hoists, cranes, conveyors, machine tools, speed reducers and other industrial applications where a quick stop and positive holding torque are necessary.

Features

- Inverter Duty Rated: 10:1CT & 20:1VT
- Service Factor: up to 1.4
- Design: "B" or "A"
- Protection Degree: IP55
- Enclosure: TEFC
- High locked rotor and brake torque
- VPI process applied for best electrical performance
- DC Disc brake with 460V AC rectifier, 230V AC rectifier available upon request
- Class "F" insulation with rise below Class "B"
- Manual release
- Oversized double-shielded bearings
- Rigid cast iron frame
- F1 / F2 convertible
- Drain plugs
- CSA-US, DOE approved and CE marked
- 20N Series motors are NEMA Premium® marked
- Warranty: 3-Years

HP	RPM	Frame	EFF	PF	Voltage	Full Load Amps	Service Factor	NEMA Design	Net Weight	C-Face Part Number	List Price	Notes ^(a)
1	1800	143TC	85.5	78	208-230/460V	3.1-2.8/1.4	1.4	B	53	20NCB-3-1-18	1,631.00	22
	1200	145TC	82.5	68	208-230/460V	3.8-3.4/1.7	1.4	B	55	20NCB-3-1-12	1,678.00	22
1.5	3600	143TC	84.5	78	208-230/460V	4.6-4.2/2.1	1.4	B	56	20NCB-3-1.5-36	1,584.00	22
	1800	145TC	87	79	208-230/460V	4.4-4/2	1.4	B	57	20NCB-3-1.5-18	1,682.00	22
	1200	182TC	87.5	68	208-230/460V	5.3-4.8/2.4	1.4	B	85	20NCB-3-1.5-12	2,256.00	22
	3600	145TC	86	82	208-230/460V	6-5.4/2.7	1.4	B	57	20NCB-3-2-36	1,648.00	22
2	1800	145TC	86.5	83	208-230/460V	5.8-5.2/2.6	1.4	B	59	20NCB-3-2-18	1,725.00	22
	1200	184TC	88.5	72	208-230/460V	6.6-6/3	1.4	B	98	20NCB-3-2-12	2,422.00	22
	3600	182TC	86.5	82	208-230/460V	8.8-8/4	1.4	B	76	20NCB-3-3-36	2,193.00	22
3	1800	182TC	89.5	75	208-230/460V	9.3-8.4/4.2	1.4	A	102	20NCB-3-3-18	2,353.00	22
	1200	213TC	89.5	74	208-230/460V	9.3-8.4/4.2	1.4	B	205	20NCB-3-3-12	2,836.00	23
	3600	184TC	89	85	208-230/460V	13.7-12.4/6.2	1.4	A	102	20NCB-3-5-36	2,478.00	22
5	1800	184TC	89.5	78	208-230/460V	14.8-13.4/6.7	1.3	A	108	20NCB-3-5-18	2,560.00	22
	1200	215TC	89.5	75	208-230/460V	15.5-14/7	1.3	B	220	20NCB-3-5-12	3,222.00	23
	3600	213TC	90	92	208-230/460V	18.8-17/8.5	1.3	A	159	20NCB-3-7.5-36	2,972.00	23
7.5	1800	213TC	91.7	82	208-230/460V	20.6-18.6/9.3	1.3	A	167	20NCB-3-7.5-18	3,214.00	23
	1200	254TC	91	74	208-230/460V	23-20.8/10.4	1.3	A	321	20NCB-3-7.5-12	4,394.00	23
	3600	215TC	90.2	91	208-230/460V	25.2-22.8/11.4	1.3	A	173	20NCB-3-10-36	3,241.00	23
10	1800	215TC	91.7	82	208-230/460V	27.6-25/12.5	1.3	A	185	20NCB-3-10-18	3,265.00	23
	1200	256TC	91	77	208-230/460V	29.6-26.8/13.4	1.3	A	363	20NCB-3-10-12	4,483.00	23
	3600	254TC	91.7	87	208-230/460V	38.9-35.2/17.6	1.3	B	258	20NCB-3-15-36	4,399.00	23
15	1800	254TC	92.4	88	208-230/460V	38.3-34.6/17.3	1.3	A	301	20NCB-3-15-18	4,701.00	23
	1200	284TC	91.7	79	208-230/460V	43.1-39/19.5	1.3	A	371	20NCB-3-15-12	5,923.00	23
	3600	256TC	92	89	208-230/460V	50.6-45.8/22.9	1.3	B	306	20NCB-3-20-36	4,785.00	23
20	1800	256TC	93	88	208-230/460V	50.6-45.8/22.9	1.2	A	390	20NCB-3-20-18	5,250.00	23
	1200	286TC	91.7	80	208-230/460V	56.4-51/25.5	1.2	A	421	20NCB-3-20-12	6,776.00	23
	3600	284TSC	92.4	86	208-230/460V	65.2-59/29.5	1.2	A	348	20NCB-3-25-36	5,407.00	23
25	1800	284TC	93.6	82	208-230/460V	67.5-61/30.5	1.2	A	397	20NCB-3-25-18	6,252.00	23
	3600	286TSC	91.7	87	208-230/460V	77.8-70.4/35.2	1.2	A	390	20NCB-3-30-36	5,949.00	23
30	1800	286TC	93.6	80	208-230/460V	82.9-75/37.5	1.2	A	441	20NCB-3-30-18	6,506.00	23

Performance Data & Mounting Dimensions: 20N Series Pages 92-94

Premium Efficient Motors

Some limited discontinued EPACT motors available while supplies last. Contact Elektrim at 855-Go-Elektrim or support@elektrimmotors.com for details. Motors can be modified from Footed to C-Face and vice versa.

^(a) See notes on inside back cover.



High Torque Single Phase Rolled Steel – 3-10 HP 1PH TEFC 60 Hz NEMA AC Foot Mounted and C-Face Motors

Applications: Ideal for a variety of moderate to high-starting torque applications such as grain augers, poultry feed augers, bin grain stirring systems, manure pumps, hog pond pumps, grain legs, grain cleaning, conveyors, pumps, aeration and more.

Features

- High starting torque
- Service Factor: up to 1.15
- Design: "L"
- Protection Degree: IP55
- Enclosure: TEFC rolled steel NEMA frame
- Oversized ball bearings
- VPI process applied for best electrical performance
- F1 footmount assembly with or without C-Face
- 1-Phase 208-230/460V 60Hz
- Shaft v-ring seals
- Rolled steel construction with cast iron end plates
- Outdoor usable
- Start and run capacitors standard
- Corrosion resistant epoxy coated
- Condensation drains
- CSA-US certified
- Replacement parts available
- Warranty: 1-Year

Footed Motors

HP	RPM	Frame	EFF	PF	Voltage	Full Load Amps	Service Factor	NEMA Design	Net Weight	Footed Part Number	List Price	Notes (a)
3	3600	182T	79.4	99	208-230/460V	14.0-12.4/6.3	1.15	L	88	36TF-1-3-36	706.00	
	1800	182T	81.7	95	208-230/460V	14.5-12.6/6.4	1.15	L	92	36TF-1-3-18	787.00	
5	3600	184T	82.5	99	208-230/460V	23.0-20.0/10.0	1.15	L	95	36TF-1-5-36	838.00	
	1800	184T	83.8	96	208-230/460V	22.5-20.0/10.0	1.15	L	110	36TF-1-5-18	901.00	
7.5	3600	213T	83.5	99	208-230/460V	31.5-29.0/15.0	1.15	L	123	36TF-1-7.5-36	1,245.00	
	1800	213T	84.5	98	208-230/460V	32.8-30.0/15.2	1.15	L	143	36TF-1-7.5-18	1,358.00	
10	1800	215T	88.7	97	208-230/460V	40.2-38.2/19.5	1.0	L	161	36TF-1-10-18	1,672.00	

Footed C-Face Motors

HP	RPM	Frame	EFF	PF	Voltage	Full Load Amps	Service Factor	NEMA Design	Net Weight	Footed C-Face Part Number	List Price	Notes (a)
3	3600	182TC	79.4	99	208-230/460V	14.0-12.4/6.3	1.15	L	88	36TC-1-3-36	755.00	
	1800	182TC	81.7	95	208-230/460V	14.5-12.6/6.4	1.15	L	92	36TC-1-3-18	842.00	
5	3600	184TC	82.5	99	208-230/460V	23.0-20.0/10.0	1.15	L	95	36TC-1-5-36	897.00	
	1800	184TC	83.8	96	208-230/460V	22.5-20.0/10.0	1.15	L	110	36TC-1-5-18	964.00	
7.5	3600	213TC	83.5	99	208-230/460V	31.5-29.0/15.0	1.15	L	123	36TC-1-7.5-36	1,332.00	
	1800	213TC	84.5	98	208-230/460V	32.8-30.0/15.2	1.15	L	143	36TC-1-7.5-18	1,453.00	
10	1800	215TC	88.7	97	208-230/460V	40.2-38.2/19.5	1.0	L	161	36TC-1-10-18	1,789.00	

Performance Data & Mounting Dimensions: 36T Series Page 95



C-Face Motors and C-Face Kits available

(a) See notes on inside back cover.



56C Frame Rolled Steel – 1/3-2 HP 1PH TEFC 60 Hz NEMA AC Foot Mounted Motors

Applications: Energy-saving continuous duty motor designed for applications requiring exceptional value, quality and performance at home and/or in light industries.

Features

- Service Factor: 1.15
- Design: "B"
- Protection Degree: IP55
- Enclosure: TEFC
- High locked rotor torque
- Available with and without thermal protection and manual reset (TP)
- Rolled steel NEMA frame 56C
- Aluminum alloy cast C-Face
- Continuous duty
- Energy saving design
- F1 assembly
- CSA-US certified and CE marked
- Warranty: 1-Year

38C Series formerly branded as Elektrimax.
See page 1 for details.

1PH Footed without Thermal Protection and Manual Reset

HP	RPM	Frame	EFF	PF	Voltage	Full Load Amps	Service Factor	NEMA Design	Net Weight	Footed Part Number	List Price	Notes ^(a)
1/3	3600	56C	57	82	115/230V	4.8/2.4	1.15	B	23.2	38CF-1-.33-36	227.00	25
	1800	56C	60	59	115/230V	6/3	1.15	B	23.2	38CF-1-.33-18	236.00	25
1/2	3600	56C	63	83	115/230V	6.2/3.1	1.15	B	24.3	38CF-1-.50-36	238.00	25
	1800	56C	62	65	115/230V	8/4	1.15	B	24.3	38CF-1-.50-18	247.00	25
3/4	3600	56C	64	83	115/230V	9/4.5	1.15	B	26.5	38CF-1-.75-36	254.00	25
	1800	56C	73	71	115/230V	9.2/4.6	1.15	B	31	38CF-1-.75-18	274.00	25
1	3600	56C	64	83	115/230V	12.4/6.2	1.15	B	32	38CF-1-1-36	277.00	25
	1800	56C	73	73	115/230V	12.2/6.1	1.15	B	36.4	38CF-1-1-18	295.00	25
1.5	3600	56C	66	84	115/230V	17.4/8.7	1.15	B	39.7	38CF-1-1.5-36	308.00	25
	1800	56C	74	77	115/230V	16.8/8.4	1.15	B	40.8	38CF-1-1.5-18	339.00	25
2	3600	56HC	72	84	115/230V	21.6/10.8	1.15	B	43	38CF-1-2-36	371.00	25
	1800	56HC	76	95	115/230V	18/9	1.15	B	43	38CF-1-2-18	400.00	25

1PH Footed with Thermal Protection and Manual Reset

HP	RPM	Frame	EFF	PF	Voltage	Full Load Amps	Service Factor	NEMA Design	Net Weight	Footed Part Number	List Price	Notes ^(a)
1/3	3600	56C	57	82	115/230V	4.8/2.4	1.15	B	23.2	38CF-1-.33-36TP	237.00	25
	1800	56C	60	59	115/230V	6/3	1.15	B	23.2	38CF-1-.33-18TP	243.00	25
1/2	3600	56C	63	83	115/230V	6.2/3.1	1.15	B	24.3	38CF-1-.50-36TP	241.00	25
	1800	56C	62	65	115/230V	8/4	1.15	B	24.3	38CF-1-.50-18TP	254.00	25
3/4	3600	56C	64	83	115/230V	9/4.5	1.15	B	26.5	38CF-1-.75-36TP	278.00	25
	1800	56C	73	71	115/230V	9.2/4.6	1.15	B	31	38CF-1-.75-18TP	287.00	25
1	3600	56C	64	83	115/230V	12.4/6.2	1.15	B	32	38CF-1-1-36TP	299.00	25
	1800	56C	73	73	115/230V	12.2/6.1	1.15	B	36.4	38CF-1-1-18TP	315.00	25
1.5	3600	56C	66	84	115/230V	17.4/8.7	1.15	B	39.7	38CF-1-1.5-36TP	338.00	25
	1800	56C	74	77	115/230V	16.8/8.4	1.15	B	40.8	38CF-1-1.5-18TP	369.00	25
2	3600	56HC	72	84	115/230V	21.6/10.8	1.15	B	43	38CF-1-2-36TP	387.00	25
	1800	56HC	76	95	115/230V	18/9	1.15	B	43	38CF-1-2-18TP	454.00	25

Performance Data & Mounting Dimensions: 38C Series Page 96

^(a) See notes on inside back cover.



56C Frame Rolled Steel – 1/3-2 HP 1PH TEFC 60 Hz NEMA AC Round Body Motors

Applications: Energy-saving continuous duty motor designed for applications requiring exceptional value, quality and performance at home and/or in light industries.

Features

- Service Factor: 1.15
- Design: "B"
- Protection Degree: IP55
- Enclosure: TEFC
- High locked rotor torque
- Available with and without thermal protection and manual reset (TP)
- Rolled steel NEMA frame 56C
- Aluminum alloy cast C-Face
- Continuous duty
- Energy saving design
- F1 assembly
- CSA-US certified and CE marked
- Warranty: 1-Year

38C Series formerly branded as Elektrimax.
See page 1 for details.

1PH Round Body without Thermal Protection and Manual Reset

HP	RPM	Frame	EFF	PF	Voltage	Full Load Amps	Service Factor	NEMA Design	Net Weight	Round Body Part Number	List Price	Notes (a)
1/3	3600	56C	57	82	115/230V	4.8/2.4	1.15	B	23.2	38CR-1-.33-36	227.00	25
	1800	56C	60	59	115/230V	6/3	1.15	B	23.2	38CR-1-.33-18	236.00	25
1/2	3600	56C	63	83	115/230V	6.2/3.1	1.15	B	24.3	38CR-1-.50-36	238.00	25
	1800	56C	62	65	115/230V	8/4	1.15	B	24.3	38CR-1-.50-18	247.00	25
3/4	3600	56C	64	83	115/230V	9/4.5	1.15	B	26.5	38CR-1-.75-36	254.00	25
	1800	56C	73	71	115/230V	9.2/4.6	1.15	B	31	38CR-1-.75-18	274.00	25
1	3600	56C	64	83	115/230V	12.4/6.2	1.15	B	32	38CR-1-1-36	277.00	25
	1800	56C	73	73	115/230V	12.2/6.1	1.15	B	36.4	38CR-1-1-18	295.00	25
1.5	3600	56C	66	84	115/230V	17.4/8.7	1.15	B	39.7	38CR-1-1.5-36	308.00	25
	1800	56C	74	77	115/230V	16.8/8.4	1.15	B	40.8	38CR-1-1.5-18	339.00	25
2	3600	56C	72	84	115/230V	21.6/10.8	1.15	B	43	38CR-1-2-36	371.00	25
	1800	56C	76	95	115/230V	18/9	1.15	B	43	38CR-1-2-18	400.00	25

1PH Round Body with Thermal Protection and Manual Reset

HP	RPM	Frame	EFF	PF	Voltage	Full Load Amps	Service Factor	NEMA Design	Net Weight	Round Body Part Number	List Price	Notes (a)
1/3	3600	56C	57	82	115/230V	4.8/2.4	1.15	B	23.2	38CR-1-.33-36TP	237.00	25
	1800	56C	60	59	115/230V	6/3	1.15	B	23.2	38CR-1-.33-18TP	243.00	25
1/2	3600	56C	63	83	115/230V	6.2/3.1	1.15	B	24.3	38CR-1-.50-36TP	241.00	25
	1800	56C	62	65	115/230V	8/4	1.15	B	24.3	38CR-1-.50-18TP	254.00	25
3/4	3600	56C	64	83	115/230V	9/4.5	1.15	B	26.5	38CR-1-.75-36TP	278.00	25
	1800	56C	73	71	115/230V	9.2/4.6	1.15	B	31	38CR-1-.75-18TP	287.00	25
1	3600	56C	64	83	115/230V	12.4/6.2	1.15	B	32	38CR-1-1-36TP	299.00	25
	1800	56C	73	73	115/230V	12.2/6.1	1.15	B	36.4	38CR-1-1-18TP	315.00	25
1.5	3600	56C	66	84	115/230V	17.4/8.7	1.15	B	39.7	38CR-1-1.5-36TP	338.00	25
	1800	56C	74	77	115/230V	16.8/8.4	1.15	B	40.8	38CR-1-1.5-18TP	369.00	25
2	3600	56C	72	84	115/230V	21.6/10.8	1.15	B	43	38CR-1-2-36TP	387.00	25
	1800	56C	76	95	115/230V	18/9	1.15	B	43	38CR-1-2-18TP	454.00	25

Performance Data & Mounting Dimensions: 38C Series Page 96

(a) See notes on inside back cover.



56C Frame Rolled Steel – 1/3-3 HP

3PH TEFC 60 Hz NEMA AC Foot Mounted Motors

Applications: Energy-saving continuous duty motor designed for applications requiring exceptional value, quality and performance at home and/or in light industries.

Features

- Inverter Duty Rated: 3:1CT & 5:1VT
- Service Factor: 1.15
- Design: "B"
- Protection Degree: IP55
- Enclosure: TEFC
- High locked rotor torque
- Rated 380V 50Hz with lower HP output
- Rolled steel NEMA frame 56C
- Aluminum alloy cast C-Face
- Continuous duty
- Energy saving design
- F1 assembly
- CSA-US certified and CE marked
- Warranty: 1-Year

38C Series formerly branded as Elektrimax.
See page 1 for details.

HP	RPM	Frame	EFF	PF	Voltage	Full Load Amps	Service Factor	NEMA Design	Net Weight	Footed Part Number	List Price	Notes ^(a)
1/3	3600	56C	59	83	208-230/460V	1.4-1.3/0.65	1.15	B	21	38CF-3-.33-36	208.00	22,25
	1800	56C	79	81	208-230/460V	1.1-1/0.5	1.15	B	20.5	38CF-3-.33-18	209.00	22,25
1/2	3600	56C	62	85	208-230/460V	1.9-1.76/0.88	1.15	B	22.1	38CF-3-.50-36	216.00	22,25
	1800	56C	71	75	208-230/460V	2-1.8/0.9	1.15	B	21.2	38CF-3-.50-18	218.00	22,25
3/4	3600	56C	69	84	208-230/460V	2.7-2.4/1.2	1.15	B	23.4	38CF-3-.75-36	226.00	22,25
	1800	56C	72	76	208-230/460V	2.9-2.6/1.3	1.15	B	22.7	38CF-3-.75-18	238.00	22,25
1	3600	56C	69	85	208-230/460V	3.5-3.2/1.6	1.15	B	25.5	38CF-3-1-36	271.00	22,25
	1800	56C	79	73	208-230/460V	3.8-3.4/1.7	1.15	B	23.6	38CF-3-1-18	279.00	22,25
1.5	3600	56C	72	85	208-230/460V	5.1-4.6/2.3	1.15	B	29.5	38CF-3-1.5-36	295.00	22,25
	1800	56C	83	76	208-230/460V	4.9-4.4/2.2	1.15	B	26	38CF-3-1.5-18	324.00	22,25
2	3600	56HC	80	88	208-230/460V	6-5.4/2.7	1.15	B	35.3	38CF-3-2-36	334.00	22,25
	1800	56HC	82	80	208-230/460V	6.4-5.8/2.9	1.15	B	31.1	38CF-3-2-18	369.00	22,25
3	3600	56HC	80	83	208-230/460V	8.4-7.6/3.8	1.15	B	37.5	38CF-3-3-36	339.00	22,25

Performance Data & Mounting Dimensions: 38C Series Page 96

^(a) See notes on inside back cover.



56C Frame Rolled Steel – 1/3-3 HP

3PH TEFC 60 Hz NEMA AC Round Body Motors

Applications: Energy-saving continuous duty motor designed for applications requiring exceptional value, quality and performance at home and/or in light industries.

Features

- Inverter Duty Rated: 3:1CT & 5:1VT
- Service Factor: 1.15
- Design: "B"
- Protection Degree: IP55
- Enclosure: TEFC
- High locked rotor torque
- Rated 380V 50Hz with lower HP output
- Rolled steel NEMA frame 56C
- Aluminum alloy cast C-Face
- Continuous duty
- Energy saving design
- F1 assembly
- CSA-US certified and CE marked
- Warranty: 1-Year

38C Series formerly branded as Elektrimax.
See page 1 for details.

HP	RPM	Frame	EFF	PF	Voltage	Full Load Amps	Service Factor	NEMA Design	Net Weight	Round Body Part Number	List Price	Notes ^(a)
1/3	3600	56C	59	83	208-230/460V	1.4-1.3/0.65	1.15	B	21	38CR-3-.33-36	208.00	22,25
	1800	56C	79	81	208-230/460V	1.1-1/0.5	1.15	B	20.5	38CR-3-.33-18	209.00	22,25
1/2	3600	56C	62	85	208-230/460V	1.9-1.76/0.88	1.15	B	22.1	38CR-3-.50-36	216.00	22,25
	1800	56C	71	75	208-230/460V	2-1.8/0.9	1.15	B	21.2	38CR-3-.50-18	218.00	22,25
3/4	3600	56C	69	84	208-230/460V	2.7-2.4/1.2	1.15	B	23.4	38CR-3-.75-36	226.00	22,25
	1800	56C	72	76	208-230/460V	2.9-2.6/1.3	1.15	B	22.7	38CR-3-.75-18	238.00	22,25
1	3600	56C	69	85	208-230/460V	3.5-3.2/1.6	1.15	B	25.5	38CR-3-1-36	271.00	22,25
	1800	56C	79	73	208-230/460V	3.8-3.4/1.7	1.15	B	23.6	38CR-3-1-18	279.00	22,25
1.5	3600	56C	72	85	208-230/460V	5.1-4.6/2.3	1.15	B	29.5	38CR-3-1.5-36	295.00	22,25
	1800	56C	83	76	208-230/460V	4.9-4.4/2.2	1.15	B	26	38CR-3-1.5-18	324.00	22,25
2	3600	56C	80	88	208-230/460V	6-5.4/2.7	1.15	B	35.3	38CR-3-2-36	334.00	22,25
	1800	56C	82	80	208-230/460V	6.4-5.8/2.9	1.15	B	31.1	38CR-3-2-18	369.00	22,25
3	3600	56C	80	83	208-230/460V	8.4-7.6/3.8	1.15	B	37.5	38CR-3-3-36	339.00	22,25

Performance Data & Mounting Dimensions: 38C Series Page 96

^(a) See notes on inside back cover.



56C Frame Stainless Steel – 1/3-3 HP

1PH & 3PH 60 Hz NEMA AC Foot Mounted Motors

Applications: Continuous duty motor designed to meet the severe sanitation requirements of food-grade and high pressure washdown applications in the pharmaceutical, food and beverage, processing and packaging industries.

Features

- Inverter Duty Rated: 3:1CT & 5:1VT (3-Phase only)
- Service Factor: 1.15
- Design: "B"
- Protection Degree: IP56
- Enclosure: TEFC or TENV
- C-Face with or without feet
- Class "F" insulation with Class "B" rise
- Continuous duty
- Sealed bearings
- Squirrel cage rotor
- 300 series stainless steel construction
- 12-Gauge puddle welded base on footed motors
- Anti-corrosion coating applied
- DE and NDE drain holes every 90°
- F1 assembly
- CSA-US certified and CE marked
- Warranty: 1-Year

39C Series formerly branded as Elektrimax.
See page 1 for details.

1PH Footed 56C Frame Stainless Steel

HP	RPM	Frame	EFF	PF	Voltage	Full Load Amps	Service Factor	NEMA Design	Net Weight	Footed Part Number	List Price	Notes ^(a)
1/2	3600	56C	63	83	115/230V	6.2/3.1	1.15	B	24	39CF-1-.50-36	651.00	25
	1800	56C	61	65	115/230V	8.2/4.1	1.15	B	24	39CF-1-.50-18	623.00	25
3/4	3600	56C	63	84	115/230V	9/4.5	1.15	B	26.5	39CF-1-.75-36	673.00	25
	1800	56C	72	68	115/230V	9.8/4.9	1.15	B	23.5	39CF-1-.75-18	659.00	25
1	3600	56C	64	84	115/230V	12.4/6.2	1.15	B	31.5	39CF-1-1-36	765.00	25
	1800	56C	69	69	115/230V	13.6/6.8	1.15	B	33	39CF-1-1-18	773.00	25
1.5	3600	56C	65	84	115/230V	17.6/8.8	1.15	B	35	39CF-1-1.5-36	871.00	25
	1800	56C	73	69	115/230V	19/9.5	1.15	B	38.5	39CF-1-1.5-18	850.00	25
2	3600	56HC	72	84	115/230V	21.6/10.8	1.15	B	50	39CF-1-2-36	927.00	25
	1800	56HC	76	95	115/230V	18/9	1.15	B	48	39CF-1-2-18	921.00	25

3PH Footed 56C Frame Stainless Steel

HP	RPM	Frame	EFF	PF	Voltage	Full Load Amps	Service Factor	NEMA Design	Net Weight	Footed Part Number	List Price	Notes ^(a)
1/3	3600	56C	67	88	208-230/460V	1.3-1.16/0.58	1.15	B	23	39CF-3-.33-36	530.00	22,25,29,30,31
	1800	56C	72	66	208-230/460V	1.4-1.3/0.65	1.15	B	22	39CF-3-.33-18	544.00	22,25,29,30,31
1/2	3600	56C	75	85	208-230/460V	1.8-1.6/0.8	1.15	B	25	39CF-3-.50-36	565.00	22,25,29,30,31
	1800	56C	78	70	208-230/460V	1.9-1.7/0.85	1.15	B	23.5	39CF-3-.50-18	578.00	22,25,29,30,31
3/4	3600	56C	80	80	208-230/460V	2.4-2.2/1.1	1.15	B	30	39CF-3-.75-36	607.00	22,25,29,30,31
	1800	56C	79	75	208-230/460V	2.7-2.4/1.2	1.15	B	31	39CF-3-.75-18	614.00	22,25,29,30,31
1	3600	56HC	80	85	208-230/460V	2.9-2.6/1.3	1.15	B	38	39CF-3-1-36	653.00	22,25,29,30
	1800	56HC	81	75	208-230/460V	3.3-3/1.5	1.15	B	38	39CF-3-1-18	674.00	22,25,29,30
1.5	3600	56HC	82.5	85	208-230/460V	4.1-3.7/1.85	1.15	B	45	39CF-3-1.5-36	731.00	22,25,29,30
	1800	56HC	82.5	72	208-230/460V	5.1-4.6/2.3	1.15	B	45	39CF-3-1.5-18	736.00	22,25,29,30
2	3600	56HC	84	87	208-230/460V	5.4-4.9/2.45	1.15	B	47	39CF-3-2-36	823.00	22,25,29,30
	1800	56HC	84	75	208-230/460V	6.4-5.8/2.9	1.15	B	51	39CF-3-2-18	825.00	22,25,29,30
3	3600	56HC	80	83	208-230/460V	8.4-7.6/3.8	1.15	B	51	39CF-3-3-36	948.00	22,25,29,30

Performance Data & Mounting Dimensions: 39C Series Page 97

^(a) See notes on inside back cover.



56C Frame Stainless Steel – 1/3-3 HP 1PH & 3PH 60 Hz NEMA AC Round Body Motors

Applications: Continuous duty motor designed to meet the severe sanitation requirements of food-grade and high pressure washdown applications in the pharmaceutical, food and beverage, processing and packaging industries.

Features

- Inverter Duty Rated: 3:1CT & 5:1VT (3-Phase only)
- Service Factor: 1.15
- Design: "B"
- Protection Degree: IP56
- Enclosure: TEFC or TENV
- C-Face with or without feet
- Class "F" insulation with Class "B" rise
- Continuous duty
- Sealed bearings
- Squirrel cage rotor
- 300 series stainless steel construction
- 12-Gauge puddle welded base on footed motors
- Anti-corrosion coating applied
- DE and NDE drain holes every 90°
- F1 assembly
- CSA-US certified and CE marked
- Warranty: 1-Year

39C Series formerly branded as Elektrimax.
See page 1 for details.

1PH Round Body 56C Frame Stainless Steel

HP	RPM	Frame	EFF	PF	Voltage	Full Load Amps	Service Factor	NEMA Design	Net Weight	Round Body Part Number	List Price	Notes ^(a)
1/2	3600	56C	63	83	115/230V	6.2/3.1	1.15	B	24	39CR-1-50-36	651.00	25
	1800	56C	61	65	115/230V	8.2/4.1	1.15	B	24	39CR-1-50-18	623.00	25
3/4	3600	56C	63	84	115/230V	9/4.5	1.15	B	26.5	39CR-1-.75-36	673.00	25
	1800	56C	72	68	115/230V	9.8/4.9	1.15	B	23.5	39CR-1-.75-18	659.00	25
1	3600	56C	64	84	115/230V	12.4/6.2	1.15	B	31.5	39CR-1-1-36	765.00	25
	1800	56C	69	69	115/230V	13.6/6.8	1.15	B	33	39CR-1-1-18	773.00	25
1.5	3600	56C	65	84	115/230V	17.6/8.8	1.15	B	35	39CR-1-1.5-36	871.00	25
	1800	56C	73	69	115/230V	19/9.5	1.15	B	38.5	39CR-1-1.5-18	850.00	25
2	3600	56C	72	84	115/230V	21.6/10.8	1.15	B	50	39CR-1-2-36	927.00	25
	1800	56C	76	95	115/230V	18/9	1.15	B	48	39CR-1-2-18	921.00	25

3PH Round Body 56C Frame Stainless Steel

HP	RPM	Frame	EFF	PF	Voltage	Full Load Amps	Service Factor	NEMA Design	Net Weight	Round Body Part Number	List Price	Notes ^(a)
1/3	3600	56C	67	88	208-230/460V	1.3-1.16/0.58	1.15	B	23	39CR-3-.33-36	530.00	22,25,29,30,31
	1800	56C	72	66	208-230/460V	1.4-1.3/0.65	1.15	B	22	39CR-3-.33-18	544.00	22,25,29,30,31
1/2	3600	56C	75	85	208-230/460V	1.8-1.6/0.8	1.15	B	25	39CR-3-.50-36	565.00	22,25,29,30,31
	1800	56C	78	70	208-230/460V	1.9-1.7/0.85	1.15	B	23.5	39CR-3-.50-18	578.00	22,25,29,30,31
3/4	3600	56C	80	80	208-230/460V	2.4-2.2/1.1	1.15	B	30	39CR-3-.75-36	607.00	22,25,29,30,31
	1800	56C	79	75	208-230/460V	2.7-2.4/1.2	1.15	B	31	39CR-3-.75-18	614.00	22,25,29,30,31
1	3600	56C	80	85	208-230/460V	2.9-2.6/1.3	1.15	B	38	39CR-3-1-36	653.00	22,25,29,30
	1800	56C	81	75	208-230/460V	3.3-3/1.5	1.15	B	38	39CR-3-1-18	674.00	22,25,29,30
1.5	3600	56C	82.5	85	208-230/460V	4.1-3.7/1.85	1.15	B	45	39CR-3-1.5-36	731.00	22,25,29,30
	1800	56C	82.5	72	208-230/460V	5.1-4.6/2.3	1.15	B	45	39CR-3-1.5-18	736.00	22,25,29,30
2	3600	56C	84	87	208-230/460V	5.4-4.9/2.45	1.15	B	47	39CR-3-2-36	823.00	22,25,29,30
	1800	56C	84	75	208-230/460V	6.4-5.8/2.9	1.15	B	51	39CR-3-2-18	825.00	22,25,29,30
3	3600	56C	80	83	208-230/460V	8.4-7.6/3.8	1.15	B	51	39CR-3-3-36	948.00	22,25,29,30

Performance Data & Mounting Dimensions: 39C Series Page 97

^(a) See notes on inside back cover.



TC Frame Stainless Steel – 1-30 HP

3PH TEFC 60 Hz NEMA AC Foot Mounted Motors

Applications: Continuous duty motor designed to meet the severe sanitation requirements of food-grade and high pressure washdown applications in the pharmaceutical, food and beverage, processing and packaging industries.

Features

- Inverter Duty Rated: 3:1CT & 5:1VT
- Service Factor: 1.15
- Design: "B" or "C"
- Protection Degree: IP55
- Enclosure: TEFC
- VPI process applied for best electrical performance
- C-Face with or without feet
- Class "F" insulation with Class "B" rise
- PTC140 thermistors standard 180 frame and up
- Continuous duty
- Sealed bearings
- Squirrel cage rotor
- 300 series stainless steel construction
- 12-Gauge puddle welded base on footed motors
- Anti-corrosion coating applied
- DE and NDE drain holes every 90°
- F1 assembly
- CSA-US certified and CE marked
- 79 Series meets NEMA Premium® efficiency requirements
- Warranty: 1-Year

39 and 79 Series formerly branded as Elektrimax.
See page 1 for details.

HP	RPM	Frame	EFF	PF	Voltage	Full Load Amps	Service Factor	NEMA Design	Net Weight	Footed Part Number	List Price	Notes ^(a)
1	3600	143TC	77	84	208-230/460V	3.2-2.9/1.45	1.15	B	44	79F-3-1-36	755.00	22,25
	1800	143TC	82.5	75	208-230/460V	3.4-3.04/1.52	1.15	C	38	39F-3-1-18	621.00	22,25
		143TC	85.5	75	208-230/460V	3.2-2.92/1.46	1.15	B	44	79F-3-1-18	755.00	22,25
1.5	3600	143TC	84	84	208-230/460V	4.4-3.98/1.99	1.15	B	53	79F-3-1.5-36	841.00	22,25
	1800	145TC	86.5	79	208-230/460V	4.6-4.12/2.06	1.15	B	53	79F-3-1.5-18	829.00	22,25
2	3600	145TC	85.5	86	208-230/460V	5.6-5.1/2.55	1.15	B	55	79F-3-2-36	987.00	22,25
	1800	145TC	86.5	80	208-230/460V	6-5.42/2.71	1.15	B	59	79F-3-2-18	974.00	22,25
3	3600	182TC	86.5	87	208-230/460V	8.2-7.46/3.73	1.15	B	98	79F-3-3-36	1,511.00	22,25
	1800	182TC	89.5	80	208-230/460V	8.7-7.84/3.92	1.15	B	100	79F-3-3-18	1,646.00	22,25
5	3600	184TC	88.5	88	208-230/460V	13.3-12.02/6.01	1.15	B	107	79F-3-5-36	1,653.00	22,25
	1800	184TC	89.5	80	208-230/460V	14.5-13.08/6.54	1.15	B	108	79F-3-5-18	1,862.00	22,25
7.5	3600	213TC	89.7	89	208-230/460V	19.5-17.64/8.82	1.15	B	159	79F-3-7.5-36	2,118.00	23,25
	1800	213TC	91.7	84	208-230/460V	20.2-18.24/9.12	1.15	B	171	79F-3-7.5-18	2,097.00	23,25
10	3600	215TC	90.2	90	208-230/460V	25.5-23.06/11.53	1.15	B	177	79F-3-10-36	2,321.00	23,25
	1800	215TC	91.7	84	208-230/460V	26.9-24.32/12.16	1.15	B	208	79F-3-10-18	2,289.00	23,25
15	3600	254TC	91	89	208-230/460V	38.3-34.68/17.34	1.15	B	271	79F-3-15-36	5,475.00	23,25
	1800	254TC	92.4	83	208-230/460V	40.5-36.62/18.31	1.15	B	296	79F-3-15-18	5,352.00	23,25
20	3600	256TC	91	90	208-230/460V	50.6-45.74/22.87	1.15	B	322	79F-3-20-36	5,723.00	23,25
	1800	256TC	93	84	208-230/460V	53-47.94/23.97	1.15	B	347	79F-3-20-18	5,600.00	23,25
25	3600	284TSC	91.7	89	208-230/460V	63.4-57.36/28.7	1.15	B	428	79F-3-25-36	7,053.00	23,25
	1800	284TC	93.6	86	208-230/460V	64.3-58.16/29.1	1.15	B	451	79F-3-25-18	6,929.00	23,25
30	3600	286TSC	91.7	89	208-230/460V	76.1-68.84/34.4	1.15	B	474	79F-3-30-36	7,301.00	23,25
	1800	286TC	93.6	86	208-230/460V	77.2-69.8/34.9	1.15	B	482	79F-3-30-18	7,177.00	23,25

Performance Data & Mounting Dimensions: 39 Series Page 98, 79 Series Pages 99-100

Premium Efficient Motors

Discontinued motors. Existing inventory while supplies last.

Non-stock item may be available in limited supply or by special order. Contact Elektrim at 855-Go-Elektrim or support@elektrimmotors.com for details.

^(a) See notes on inside back cover.



TC Frame Stainless Steel – 1-30 HP

3PH TEFC 60 Hz NEMA AC Round Body Motors

Applications: Continuous duty motor designed to meet the severe sanitation requirements of food-grade and high pressure washdown applications in the pharmaceutical, food and beverage, processing and packaging industries.

Features

- Inverter Duty Rated: 3:1CT & 5:1VT
- Service Factor: 1.15
- Design: "B" or "C"
- Protection Degree: IP55
- Enclosure: TEFC
- VPI process applied for best electrical performance
- C-Face with or without feet
- Class "F" insulation with Class "B" rise
- PTC140 thermistors standard 180 frame and up
- Continuous duty
- Sealed bearings
- Squirrel cage rotor
- 300 series stainless steel construction
- 12-Gauge puddle welded base on footed motors
- Anti-corrosion coating applied
- DE and NDE drain holes every 90°
- F1 assembly
- CSA-US certified and CE marked
- 79 Series meets NEMA Premium® efficiency requirements
- Warranty: 1-Year

39 and 79 Series formerly branded as Elektrimax.
See page 1 for details.

HP	RPM	Frame	EFF	PF	Voltage	Full Load Amps	Service Factor	NEMA Design	Net Weight	Round Body Part Number	List Price	Notes (a)
1	3600	143TC	77	84	208-230/460V	3.2-2.9/1.45	1.15	B	44	79R-3-1-36	755.00	22,25
	1800	143TC	82.5	75	208-230/460V	3.4-3.04/1.52	1.15	C	38	39R-3-1-18	621.00	22,25
1.5	3600	143TC	85.5	75	208-230/460V	3.2-2.92/1.46	1.15	B	44	79R-3-1-18	755.00	22,25
	1800	143TC	84	84	208-230/460V	4.4-3.98/1.99	1.15	B	53	79R-3-1.5-36	841.00	22,25
2	3600	145TC	86.5	79	208-230/460V	4.6-4.12/2.06	1.15	B	53	79R-3-1.5-18	829.00	22,25
	1800	145TC	85.5	86	208-230/460V	5.6-5.1/2.55	1.15	B	55	79R-3-2-36	987.00	22,25
3	3600	145TC	86.5	80	208-230/460V	6-5.42/2.71	1.15	B	59	79R-3-2-18	974.00	22,25
	1800	182TC	86.5	87	208-230/460V	8.2-7.46/3.73	1.15	B	98	79R-3-3-36	1,511.00	22,25
5	3600	182TC	89.5	80	208-230/460V	8.7-7.84/3.92	1.15	B	100	79R-3-3-18	1,646.00	22,25
	1800	184TC	88.5	88	208-230/460V	13.3-12.02/6.01	1.15	B	107	79R-3-5-36	1,653.00	22,25
7.5	3600	184TC	89.5	80	208-230/460V	14.5-13.08/6.54	1.15	B	108	79R-3-5-18	1,862.00	22,25
	1800	213TC	89.7	89	208-230/460V	19.5-17.64/8.82	1.15	B	159	79R-3-7.5-36	2,118.00	23,25
10	3600	213TC	91.7	84	208-230/460V	20.2-18.24/9.12	1.15	B	171	79R-3-7.5-18	2,097.00	23,25
	1800	215TC	90.2	90	208-230/460V	25.5-23.06/11.53	1.15	B	177	79R-3-10-36	2,321.00	23,25
15	3600	215TC	91.7	84	208-230/460V	26.9-24.32/12.16	1.15	B	208	79R-3-10-18	2,289.00	23,25
	1800	254TC	91	89	208-230/460V	38.3-34.68/17.34	1.15	B	271	79R-3-15-36	5,475.00	23,25
20	3600	254TC	92.4	83	208-230/460V	40.5-36.62/18.31	1.15	B	296	79R-3-15-18	5,352.00	23,25
	1800	256TC	91	90	208-230/460V	50.6-45.74/22.9	1.15	B	322	79R-3-20-36	5,723.00	23,25
25	3600	256TC	91	84	208-230/460V	54.8-49.6/24.8	1.15	C	300	39R-3-20-18	4,955.00	23,25
	1800	256TC	93	84	208-230/460V	53-47.94/23.97	1.15	B	347	79R-3-20-18	5,600.00	23,25
30	3600	284TSC	91.7	89	208-230/460V	63.4-57.36/28.7	1.15	B	428	79R-3-25-36	7,053.00	23,25
	1800	284TC	93.6	86	208-230/460V	64.3-58.16/29.1	1.15	B	451	79R-3-25-18	6,929.00	23,25
30	3600	286TSC	91.7	89	208-230/460V	76.1-68.84/34.4	1.15	B	474	79R-3-30-36	7,301.00	23,25
	1800	286TC	93.6	86	208-230/460V	77.2-69.8/34.9	1.15	B	482	79R-3-30-18	7,177.00	23,25

Performance Data & Mounting Dimensions: 39 Series Page 98, 79 Series Pages 99-100

Premium Efficient Motors

Discontinued motors. Existing inventory while supplies last.

Non-stock item may be available in limited supply or by special order. Contact Elektrim at 855-Go-Elektrim or support@elektrimmotors.com for details.

(a) See notes on inside back cover.

General Information
Premium Efficient Motors
Metric IEC Motors
Medium Voltage Motors
Pump Motors
Crusher Duty Motors
Brake Motors
56C & T/T Rolled Steel Motors
Washdown Motors
575V Motors
Parts and Accessories
Technical Data



ADVANCED CAPABILITIES

Voltage Flexibility

Possible Supply Voltages for NEMA and Metric IEC Motors

Elektrim 20, 40 and 60 series motors are dual rated for 60/50 Hz and can be re-rated, according to your application's needs, to a multitude of possible supply voltages.

Ordering Information: Motors are re-rated from stock models. All re-rate modifications should be priced using the motor list price and the \$109 re-rate list price, unless indicated otherwise. Re-rate modifications of standard stock products, including voltage, must be indicated on purchase order when ordering. Lead time for re-rates is (1) business day and is subject to availability of stock motors in the Schaumburg, Illinois Warehouse.

60 Hz Voltages
208V
230V
380V
400V
460V
480V
575V
600V
796V

50 Hz Voltages	
190V	415V
200V	440V
220V	500V
230V	525V
240V	660V
380V	690V
400V	



575V Performance Premium Efficient – 1-100 HP

3PH TEFC 60 Hz NEMA AC Foot Mounted and C-Face Motors

Ordering Information: Motors are re-rated from stock models to 575V. Lead time for re-rates is (1) business day and is subject to availability of stock motors in the Schaumburg, Illinois Warehouse.

HP	RPM	Frame	Volt	Footed Part Number	Motor List Price	Notes (a)
1	1800	143T	575V	20NFM-3-1-18/575	599.00	33
	1200	145T	575V	20NFM-3-1-12/575	674.00	33
1.5	3600	143T	575V	20NFM-3-1.5-36/575	645.00	33
	1800	145T	575V	20NFM-3-1.5-18/575	632.00	33
	1200	182T	575V	20NFM-3-1.5-12/575	810.00	33
2	3600	145T	575V	20NFM-3-2-36/575	688.00	33
	1800	145T	575V	20NFM-3-2-18/575	684.00	33
	1200	184T	575V	20NFM-3-2-12/575	871.00	33
3	3600	182T	575V	20NFM-3-3-36/575	820.00	33
	1800	182T	575V	20NFM-3-3-18/575	754.00	33
	1200	213T	575V	20NFM-3-3-12/575	1,159.00	32
5	3600	184T	575V	20NFM-3-5-36/575	963.00	33
	1800	184T	575V	20NFM-3-5-18/575	866.00	33
	1200	215T	575V	20NFM-3-5-12/575	1,414.00	32
7.5	3600	213T	575V	20NFM-3-7.5-36/575	1,180.00	32
	1800	213T	575V	20NFM-3-7.5-18/575	1,155.00	32
	1200	254T	575V	20NFM-3-7.5-12/575	2,009.00	32
10	3600	215T	575V	20NFM-3-10-36/575	1,336.00	32
	1800	215T	575V	20NFM-3-10-18/575	1,325.00	32
	1200	256T	575V	20NFM-3-10-12/575	2,337.00	32
15	3600	254T	575V	20NFM-3-15-36/575	1,754.00	32
	1800	254T	575V	20NFM-3-15-18/575	1,846.00	32
	1200	284T	575V	20NFM-3-15-12/575	3,170.00	32
20	3600	256T	575V	20NFM-3-20-36/575	2,133.00	32
	1800	256T	575V	20NFM-3-20-18/575	2,178.00	32
	1200	286T	575V	20NFM-3-20-12/575	3,794.00	32
25	3600	284TS	575V	20NFM-3-25-36/575	2,617.00	32
	1800	284T	575V	20NFM-3-25-18/575	2,687.00	32
	1200	324T	575V	20NFM-3-25-12/575	4,845.00	32
30	3600	286TS	575V	20NFM-3-30-36/575	3,074.00	32
	1800	286T	575V	20NFM-3-30-18/575	3,106.00	32
	1200	326T	575V	20NFM-3-30-12/575	5,277.00	32
40	3600	324TS	575V	20NFM-3-40-36/575	5,182.00	32
	1800	324T	575V	20NFM-3-40-18/575	5,021.00	32
	1200	364T	575V	20NFM-3-40-12/575	6,904.00	32
50	3600	326TS	575V	20NFM-3-50-36/575	5,672.00	32
	1800	326T	575V	20NFM-3-50-18/575	5,476.00	32
	1200	365T	575V	20NFM-3-50-12/575	8,385.00	32
60	3600	364TS	575V	20NFM-3-60-36/575	7,531.00	32
	1800	364T	575V	20NFM-3-60-18/575	6,981.00	32
	1200	404T	575V	20NFM-3-60-12/575	9,871.00	32
75	3600	365TS	575V	20NFM-3-75-36/575	8,837.00	32
	1800	365T	575V	20NFM-3-75-18/575	8,379.00	32
	1200	405T	575V	20NFM-3-75-12/575	11,323.00	32
100	3600	405TS	575V	20NFM-3-100-36/575	10,903.00	32
	1800	405T	575V	20NFM-3-100-18/575	11,214.00	32
	1200	444T	575V	20NFM-3-100-12/575	14,646.00	32

HP	RPM	Frame	Volt	C-Face Part Number	Motor List Price	Notes (a)
1	1800	143TC	575V	20NCM-3-1-18/575	640.00	33
	1200	145TC	575V	20NCM-3-1-12/575	721.00	33
1.5	3600	143TC	575V	20NCM-3-1.5-36/575	689.00	33
	1800	145TC	575V	20NCM-3-1.5-18/575	676.00	33
	1200	182TC	575V	20NCM-3-1.5-12/575	868.00	33
2	3600	145TC	575V	20NCM-3-2-36/575	736.00	33
	1800	145TC	575V	20NCM-3-2-18/575	732.00	33
	1200	184TC	575V	20NCM-3-2-12/575	934.00	33
3	3600	182TC	575V	20NCM-3-3-36/575	879.00	33
	1800	182TC	575V	20NCM-3-3-18/575	791.00	33
	1200	213TC	575V	20NCM-3-3-12/575	1,246.00	32
5	3600	184TC	575V	20NCM-3-5-36/575	1,034.00	33
	1800	184TC	575V	20NCM-3-5-18/575	928.00	33
	1200	215TC	575V	20NCM-3-5-12/575	1,523.00	32
7.5	3600	213TC	575V	20NCM-3-7.5-36/575	1,269.00	32
	1800	213TC	575V	20NCM-3-7.5-18/575	1,229.00	32
	1200	254TC	575V	20NCM-3-7.5-12/575	2,166.00	32
10	3600	215TC	575V	20NCM-3-10-36/575	1,438.00	32
	1800	215TC	575V	20NCM-3-10-18/575	1,419.00	32
	1200	256TC	575V	20NCM-3-10-12/575	2,522.00	32
15	3600	254TC	575V	20NCM-3-15-36/575	1,891.00	32
	1800	254TC	575V	20NCM-3-15-18/575	1,990.00	32
	1200	284TC	575V	20NCM-3-15-12/575	3,424.00	32
20	3600	256TC	575V	20NCM-3-20-36/575	2,301.00	32
	1800	256TC	575V	20NCM-3-20-18/575	2,350.00	32
	1200	286TC	575V	20NCM-3-20-12/575	4,099.00	32
25	3600	284TSC	575V	20NCM-3-25-36/575	2,825.00	32
	1800	284TC	575V	20NCM-3-25-18/575	2,901.00	32
	1200	324TC	575V	20NCM-3-25-12/575	5,238.00	32
30	3600	286TSC	575V	20NCM-3-30-36/575	3,320.00	32
	1800	286TC	575V	20NCM-3-30-18/575	3,355.00	32
	1200	326TC	575V	20NCM-3-30-12/575	5,705.00	32
40	3600	324TSC	575V	20NCM-3-40-36/575	5,603.00	32
	1800	324TC	575V	20NCM-3-40-18/575	5,428.00	32
	1200	364TC	575V	20NCM-3-40-12/575	7,468.00	32
50	3600	326TSC	575V	20NCM-3-50-36/575	6,134.00	32
	1800	326TC	575V	20NCM-3-50-18/575	5,922.00	32
	1200	365TC	575V	20NCM-3-50-12/575	9,072.00	32
60	3600	364TSC	575V	20NCM-3-60-36/575	8,147.00	32
	1800	364TC	575V	20NCM-3-60-18/575	7,551.00	32
	1200	404TC	575V	20NCM-3-60-12/575	10,681.00	32
75	3600	365TSC	575V	20NCM-3-75-36/575	9,561.00	32
	1800	365TC	575V	20NCM-3-75-18/575	9,065.00	32
	1200	405TC	575V	20NCM-3-75-12/575	12,254.00	32
100	3600	405TSC	575V	20NCM-3-100-36/575	11,799.00	32
	1800	405TC	575V	20NCM-3-100-18/575	12,135.00	32
	1200	444TC	575V	20NCM-3-100-12/575	15,852.00	32

For Standard Product Line Features and Specifications, visit pages 6-9.

Premium Efficient Motors

Motors can be modified from Footed to C-Face and vice versa.

(a) See notes on inside back cover.

575V Severe Duty Performance Premium Efficient – 1-100 HP

3PH TEFC 60 Hz NEMA AC Foot Mounted and C-Face Motors

Ordering Information: Motors are re-rated from stock models to 575V. Lead time for re-rates is (1) business day and is subject to availability of stock motors in the Schaumburg, Illinois Warehouse.

HP	RPM	Frame	Volt	Footed Part Number	Motor List Price	Notes (a)
1	1800	143T	575V	60NFS-3-1-18/575	817.00	33
	1200	145T	575V	60NFS-3-1-12/575	906.00	33
1.5	3600	143T	575V	60NFS-3-1.5-36/575	824.00	33
	1800	145T	575V	60NFS-3-1.5-18/575	865.00	33
	1200	182T	575V	60NFS-3-1.5-12/575	986.00	33
		145T	575V	60NFS-3-2-18/575	919.00	33
2	3600	145T	575V	60NFS-3-2-36/575	866.00	33
	1800	145T	575V	60NFS-3-2-18/575	919.00	33
	1200	184T	575V	60NFS-3-2-12/575	1,022.00	33
3	3600	182T	575V	60NFS-3-3-36/575	947.00	33
	1800	182T	575V	60NFS-3-3-18/575	932.00	33
	1200	213T	575V	60NFS-3-3-12/575	1,290.00	32
5	3600	184T	575V	60NFS-3-5-36/575	1,088.00	33
	1800	184T	575V	60NFS-3-5-18/575	1,070.00	33
	1200	215T	575V	60NFS-3-5-12/575	1,726.00	32
7.5	3600	213T	575V	60NFS-3-7.5-36/575	1,466.00	32
	1800	213T	575V	60NFS-3-7.5-18/575	1,463.00	32
	1200	254T	575V	60NFS-3-7.5-12/575	2,212.00	32
10	3600	215T	575V	60NFS-3-10-36/575	1,670.00	32
	1800	215T	575V	60NFS-3-10-18/575	1,662.00	32
	1200	256T	575V	60NFS-3-10-12/575	2,643.00	32
15	3600	254T	575V	60NFS-3-15-36/575	2,118.00	32
	1800	254T	575V	60NFS-3-15-18/575	2,105.00	32
	1200	284T	575V	60NFS-3-15-12/575	3,477.00	32
20	3600	256T	575V	60NFS-3-20-36/575	2,502.00	32
	1800	256T	575V	60NFS-3-20-18/575	2,460.00	32
	1200	286T	575V	60NFS-3-20-12/575	4,217.00	32
25	3600	284T	575V	60NFS-3-25-36/575	2,969.00	32
	1800	284T	575V	60NFS-3-25-18/575	2,933.00	32
	1200	324T	575V	60NFS-3-25-12/575	5,767.00	32
30	3600	286T	575V	60NFS-3-30-36/575	3,568.00	32
	1800	286T	575V	60NFS-3-30-18/575	3,549.00	32
	1200	326T	575V	60NFS-3-30-12/575	5,848.00	32
40	3600	324T	575V	60NFS-3-40-36/575	5,832.00	32
	1800	324T	575V	60NFS-3-40-18/575	5,769.00	32
	1200	364T	575V	60NFS-3-40-12/575	7,570.00	32
50	3600	326T	575V	60NFS-3-50-36/575	6,201.00	32
	1800	326T	575V	60NFS-3-50-18/575	6,162.00	32
	1200	365T	575V	60NFS-3-50-12/575	8,856.00	32
60	3600	364T	575V	60NFS-3-60-36/575	8,009.00	32
	1800	364T	575V	60NFS-3-60-18/575	7,598.00	32
	1200	404T	575V	60NFS-3-60-12/575	10,765.00	32
75	3600	365T	575V	60NFS-3-75-36/575	9,489.00	32
	1800	365T	575V	60NFS-3-75-18/575	9,371.00	32
	1200	405T	575V	60NFS-3-75-12/575	12,207.00	32
100	3600	405T	575V	60NFS-3-100-36/575	12,050.00	32
	1800	405T	575V	60NFS-3-100-18/575	11,956.00	32
	1200	444T	575V	60NFS-3-100-12/575	15,426.00	32

HP	RPM	Frame	Volt	C-Face Part Number	Motor List Price	Notes (a)
1	1800	143TC	575V	60NCS-3-1-18/575	884.00	33
	1200	145TC	575V	60NCS-3-1-12/575	981.00	33
1.5	3600	143TC	575V	60NCS-3-1.5-36/575	891.00	33
	1800	145TC	575V	60NCS-3-1.5-18/575	936.00	33
	1200	182TC	575V	60NCS-3-1.5-12/575	1,068.00	33
		145TC	575V	60NCS-3-2-36/575	937.00	33
2	3600	145TC	575V	60NCS-3-2-18/575	995.00	33
	1800	184TC	575V	60NCS-3-2-12/575	1,107.00	33
	1200	182TC	575V	60NCS-3-3-36/575	1,026.00	33
3	3600	182TC	575V	60NCS-3-3-18/575	1,009.00	33
	1800	213TC	575V	60NCS-3-3-12/575	1,399.00	32
	1200	213TC	575V	60NCS-3-5-36/575	1,179.00	33
5	3600	184TC	575V	60NCS-3-5-18/575	1,160.00	33
	1800	215TC	575V	60NCS-3-5-12/575	1,875.00	32
	1200	215TC	575V	60NCS-3-7.5-36/575	1,591.00	32
7.5	3600	213TC	575V	60NCS-3-7.5-18/575	1,588.00	32
	1800	254TC	575V	60NCS-3-7.5-12/575	2,404.00	32
	1200	254TC	575V	60NCS-3-10-36/575	1,814.00	32
10	3600	215TC	575V	60NCS-3-10-18/575	1,805.00	32
	1800	256TC	575V	60NCS-3-10-12/575	2,874.00	32
	1200	256TC	575V	60NCS-3-15-36/575	2,302.00	32
15	3600	254TC	575V	60NCS-3-15-18/575	2,288.00	32
	1800	284TC	575V	60NCS-3-15-12/575	3,783.00	32
	1200	284TC	575V	60NCS-3-20-36/575	2,720.00	32
20	3600	256TC	575V	60NCS-3-20-18/575	2,675.00	32
	1800	286TC	575V	60NCS-3-20-12/575	4,590.00	32
	1200	286TC	575V	60NCS-3-25-36/575	3,230.00	32
25	3600	284TSC	575V	60NCS-3-25-18/575	3,190.00	32
	1800	324TC	575V	60NCS-3-25-12/575	6,279.00	32
	1200	324TC	575V	60NCS-3-30-36/575	3,882.00	32
30	3600	286TSC	575V	60NCS-3-30-18/575	3,862.00	32
	1800	326TC	575V	60NCS-3-30-12/575	6,368.00	32
	1200	326TC	575V	60NCS-3-40-36/575	6,350.00	32
40	3600	324TC	575V	60NCS-3-40-18/575	6,282.00	32
	1800	364TC	575V	60NCS-3-40-12/575	8,245.00	32
	1200	364TC	575V	60NCS-3-50-36/575	6,752.00	32
50	3600	326TC	575V	60NCS-3-50-18/575	6,710.00	32
	1800	365TC	575V	60NCS-3-50-12/575	9,646.00	32
	1200	365TC	575V	60NCS-3-60-36/575	8,723.00	32
60	3600	364TSC	575V	60NCS-3-60-18/575	8,275.00	32
	1800	404TC	575V	60NCS-3-60-12/575	11,727.00	32
	1200	404TC	575V	60NCS-3-75-36/575	10,336.00	32
75	3600	365TSC	575V	60NCS-3-75-18/575	10,208.00	32
	1800	405TC	575V	60NCS-3-75-12/575	13,299.00	32
	1200	405TC	575V	60NCS-3-100-36/575	13,128.00	32
100	3600	405TSC	575V	60NCS-3-100-18/575	13,025.00	32
	1800	444TC	575V	60NCS-3-100-12/575	16,808.00	32
	1200	444TC	575V	60NCS-3-100-12/575	16,808.00	32

For Standard Product Line Features and Specifications, visit pages 16-19.

Premium Efficient Motors

Motors can be modified from Footed to C-Face and vice versa.

(a) See notes on inside back cover.

575V IEC Frame Metric Motors – 4-220 HP

3PH TEFC 60 Hz AC B3 Foot Mounted, B35 D-Flange and B34 C-Face Motors

Ordering Information: Motors are re-rated from stock models to 575V. Lead time for re-rates is (1) business day and is subject to availability of stock motors in the Schaumburg, Illinois Warehouse.

HP	kW	RPM	Frame	Volt	Footed B3 Part Number	Motor List Price	Notes (a)
4	3	1200	132S	575V	20MFM-3-4-12/575	1,607.00	32
5.5	4	1200	132M	575V	20MFM-3-5.5-12/575	1,616.00	32
7.5	5.5	3600	132S	575V	20MFM-3-7.5-36/575	1,259.00	32
		1800	132S	575V	20MFM-3-7.5-18/575	1,417.00	32
		1200	132M	575V	20MFM-3-7.5-12/575	2,557.00	32
10	7.5	3600	132S	575V	20MFM-3-10-36/575	1,411.00	32
		1800	132M	575V	20MFM-3-10-18/575	1,612.00	32
		1200	160M	575V	20MFM-3-10-12/575	2,645.00	32
15	11	3600	160M	575V	20MFM-3-15-36/575	1,924.00	32
		1800	160M	575V	20MFM-3-15-18/575	1,971.00	32
		1200	160L	575V	20MFM-3-15-12/575	3,119.00	32
20	15	3600	160M	575V	20MFM-3-20-36/575	2,259.00	32
		1800	160L	575V	20MFM-3-20-18/575	2,345.00	32
		1200	180L	575V	20MFM-3-20-12/575	3,731.00	32
25	18.5	3600	160L	575V	20MFM-3-25-36/575	2,703.00	32
		1800	180M	575V	20MFM-3-25-18/575	2,835.00	32
		1200	200L	575V	20MFM-3-25-12/575	5,954.00	32
30	22	3600	180M	575V	20MFM-3-30-36/575	3,239.00	32
		1800	180L	575V	20MFM-3-30-18/575	3,505.00	32
		1200	200L	575V	20MFM-3-30-12/575	6,260.00	32
40	30	3600	200L	575V	20MFM-3-40-36/575	7,384.00	32
		1800	200L	575V	20MFM-3-40-18/575	6,091.00	32
		1200	225M	575V	20MFM-3-40-12/575	8,061.00	32
50	37	3600	200L	575V	20MFM-3-50-36/575	8,118.00	32
		1800	225S	575V	20MFM-3-50-18/575	7,775.00	32
		1200	250M	575V	20MFM-3-50-12/575	10,067.00	32
60	45	3600	225M	575V	20MFM-3-60-36/575	8,942.00	32
		1800	225M	575V	20MFM-3-60-18/575	8,805.00	32
		1200	280S	575V	20MFM-3-60-12/575	13,604.00	32
75	55	3600	250M	575V	20MFM-3-75-36/575	11,566.00	32
		1800	250M	575V	20MFM-3-75-18/575	9,813.00	32
		1200	280M	575V	20MFM-3-75-12/575	14,549.00	32
100	75	3600	280S	575V	20MFM-3-100-36/575	12,912.00	32
		1800	280S	575V	20MFM-3-100-18/575	12,870.00	32
		1200	315S	575V	20MFM-3-100-12/575	19,982.00	32
125	90	3600	280M	575V	20MFM-3-125-36/575	15,704.00	32
		1800	280M	575V	20MFM-3-125-18/575	13,884.00	32
		1200	315M	575V	20MFM-3-125-12/575	22,205.00	32
150	110	1800	315M	575V	20MFM-3-150-18/575	19,692.00	32
220	160	1800	315M	575V	20MFM-3-220-18/575	27,362.00	32

HP	kW	RPM	Frame	Volt	C-Face B34 Part Number	Motor List Price	Notes (a)
4	3	1200	132S	575V	20MCM-3-4-12/575	1,742.00	32
5.5	4	1200	132M	575V	20MCM-3-5.5-12/575	1,752.00	32
7.5	5.5	3600	132S	575V	20MCM-3-7.5-36/575	1,363.00	32
		1800	132S	575V	20MCM-3-7.5-18/575	1,535.00	32
		1200	132M	575V	20MCM-3-7.5-12/575	2,777.00	32
10	7.5	3600	132S	575V	20MCM-3-10-36/575	1,528.00	32
		1800	132M	575V	20MCM-3-10-18/575	1,747.00	32
		1200	160M	575V	20MCM-3-10-12/575	2,873.00	32

HP	kW	RPM	Frame	Volt	D-Flange B35 Part Number	Motor List Price	Notes (a)
4	3	1200	132S	575V	20MDM-3-4-12/575	1,742.00	32
5.5	4	1200	132M	575V	20MDM-3-5.5-12/575	1,752.00	32
7.5	5.5	3600	132S	575V	20MDM-3-7.5-36/575	1,363.00	32
		1800	132S	575V	20MDM-3-7.5-18/575	1,535.00	32
		1200	132M	575V	20MDM-3-7.5-12/575	2,777.00	32
10	7.5	3600	132S	575V	20MDM-3-10-36/575	1,528.00	32
		1800	132M	575V	20MDM-3-10-18/575	1,747.00	32
		1200	160M	575V	20MDM-3-10-12/575	2,873.00	32
15	11	3600	160M	575V	20MDM-3-15-36/575	2,087.00	32
		1800	160M	575V	20MDM-3-15-18/575	2,139.00	32
		1200	160L	575V	20MDM-3-15-12/575	3,390.00	32
20	15	3600	160M	575V	20MDM-3-20-36/575	2,453.00	32
		1800	160L	575V	20MDM-3-20-18/575	2,546.00	32
		1200	180L	575V	20MDM-3-20-12/575	4,057.00	32
25	18.5	3600	160L	575V	20MDM-3-25-36/575	2,936.00	32
		1800	180M	575V	20MDM-3-25-18/575	3,080.00	32
		1200	200L	575V	20MDM-3-25-12/575	6,480.00	32
30	22	3600	180M	575V	20MDM-3-30-36/575	3,521.00	32
		1800	180L	575V	20MDM-3-30-18/575	3,811.00	32
		1200	200L	575V	20MDM-3-30-12/575	6,814.00	32
40	30	3600	200L	575V	20MDM-3-40-36/575	8,039.00	32
		1800	200L	575V	20MDM-3-40-18/575	6,629.00	32
		1200	225M	575V	20MDM-3-40-12/575	8,777.00	32
50	37	3600	200L	575V	20MDM-3-50-36/575	8,839.00	32
		1800	225S	575V	20MDM-3-50-18/575	8,465.00	32
		1200	250M	575V	20MDM-3-50-12/575	10,963.00	32
60	45	3600	225M	575V	20MDM-3-60-36/575	9,737.00	32
		1800	225M	575V	20MDM-3-60-18/575	9,588.00	32
		1200	280S	575V	20MDM-3-60-12/575	14,819.00	32
75	55	3600	250M	575V	20MDM-3-75-36/575	12,597.00	32
		1800	250M	575V	20MDM-3-75-18/575	10,686.00	32
		1200	280M	575V	20MDM-3-75-12/575	15,849.00	32
100	75	3600	280S	575V	20MDM-3-100-36/575	14,064.00	32
		1800	280S	575V	20MDM-3-100-18/575	14,018.00	32
		1200	315S	575V	20MDM-3-100-12/575	21,771.00	32
125	90	3600	280M	575V	20MDM-3-125-36/575	17,108.00	32
		1800	280M	575V	20MDM-3-125-18/575	15,124.00	32
		1200	315M	575V	20MDM-3-125-12/575	24,194.00	32
150	110	1800	315M	575V	20MDM-3-150-18/575	21,454.00	32
220	160	1800	315M	575V	20MDM-3-220-18/575	29,815.00	32

HP	kW	RPM	Frame	Volt	C-Face B34 Part Number	Motor List Price	Notes (a)
15	11	3600	160M	575V	20MCM-3-15-36/575	2,087.00	32
		1800	160M	575V	20MCM-3-15-18/575	2,139.00	32
		1200	160L	575V	20MCM-3-15-12/575	3,390.00	32
20	15	3600	160M	575V	20MCM-3-20-36/575	2,453.00	32
		1800	160L	575V	20MCM-3-20-18/575	2,546.00	32

Premium Efficient Motors

Motors can be modified from Footed to C-Face or D-Flange and vice versa.

(a) See notes on inside back cover.

For Standard Product Line Features and Specifications, visit pages 20-25.

General Information
Premium Efficient Motors
Metric IEC Motors
Medium Voltage Motors
Pump Motors
Crusher Duty Motors
Brake Motors
56C & T/C Rolled Steel Motors
Washdown Motors
575V Motors
Parts and Accessories
Technical Data

575V JM & JP Close Coupled Pump – 1-60 HP

3PH TEFC 60 Hz NEMA AC C-Face Footed Motors

Ordering Information: Motors are re-rated from stock models to 575V. Lead time for re-rates is (1) business day and is subject to availability of stock motors in the Schaumburg, Illinois Warehouse.

HP	RPM	Frame	Volt	JM Part Number	Motor List Price	Notes (a)
1	1800	143JM	575V	20JM-3-1-18/575	701.00	33
	3600	143JM	575V	20JM-3-1.5-36/575	710.00	33
1.5	1800	145JM	575V	20JM-3-1.5-18/575	714.00	33
	3600	145JM	575V	20JM-3-2-36/575	757.00	33
2	1800	145JM	575V	20JM-3-2-18/575	819.00	33
	3600	182JM	575V	20JM-3-3-36/575	916.00	33
3	1800	182JM	575V	20JM-3-3-18/575	927.00	33
	3600	184JM	575V	20JM-3-5-36/575	1,107.00	33
5	1800	184JM	575V	20JM-3-5-18/575	1,086.00	33
	3600	213JM	575V	20JM-3-7.5-36/575	1,290.00	32
7.5	1800	213JM	575V	20JM-3-7.5-18/575	1,400.00	32
	3600	215JM	575V	20JM-3-10-36/575	1,482.00	32
10	1800	215JM	575V	20JM-3-10-18/575	1,630.00	32
	3600	254JM	575V	20JM-3-15-36/575	1,977.00	32
15	1800	254JM	575V	20JM-3-15-18/575	2,028.00	32
	3600	256JM	575V	20JM-3-20-36/575	2,407.00	32
20	1800	256JM	575V	20JM-3-20-18/575	2,423.00	32
	3600	284JM	575V	20JM-3-25-36/575	2,957.00	32
25	1800	284JM	575V	20JM-3-25-18/575	2,925.00	32
	3600	286JM	575V	20JM-3-30-36/575	3,476.00	32
30	1800	286JM	575V	20JM-3-30-18/575	3,684.00	32
	3600	324JM	575V	20JM-3-40-36/575	6,309.00	32
40	1800	324JM	575V	20JM-3-40-18/575	6,814.00	32
	3600	326JM	575V	20JM-3-50-36/575	6,631.00	32
50	1800	326JM	575V	20JM-3-50-18/575	7,297.00	32
	3600	364JM	575V	20JM-3-60-36/575	8,577.00	32
60	1800	364JM	575V	20JM-3-60-18/575	8,621.00	32

HP	RPM	Frame	Volt	JP Part Number	Motor List Price	Notes (a)
1	1800	143JP	575V	20JP-3-1-18/575	719.00	33
	3600	143JP	575V	20JP-3-1.5-36/575	728.00	33
1.5	1800	145JP	575V	20JP-3-1.5-18/575	776.00	33
	3600	145JP	575V	20JP-3-2-36/575	777.00	33
2	1800	145JP	575V	20JP-3-2-18/575	840.00	33
	3600	182JP	575V	20JP-3-3-36/575	941.00	33
3	1800	182JP	575V	20JP-3-3-18/575	952.00	33
	3600	184JP	575V	20JP-3-5-36/575	1,137.00	33
5	1800	184JP	575V	20JP-3-5-18/575	1,116.00	33
	3600	213JP	575V	20JP-3-7.5-36/575	1,325.00	32
7.5	1800	213JP	575V	20JP-3-7.5-18/575	1,439.00	32
	3600	215JP	575V	20JP-3-10-36/575	1,523.00	32
10	1800	215JP	575V	20JP-3-10-18/575	1,675.00	32
	3600	254JP	575V	20JP-3-15-36/575	2,033.00	32
15	1800	254JP	575V	20JP-3-15-18/575	2,086.00	32
	3600	256JP	575V	20JP-3-20-36/575	2,476.00	32
20	1800	256JP	575V	20JP-3-20-18/575	2,492.00	32
	3600	284JP	575V	20JP-3-25-36/575	3,042.00	32
25	1800	284JP	575V	20JP-3-25-18/575	3,009.00	32
	3600	286JP	575V	20JP-3-30-36/575	3,577.00	32
30	1800	286JP	575V	20JP-3-30-18/575	3,792.00	32
	3600	324JP	575V	20JP-3-40-36/575	6,308.00	32
40	1800	324JP	575V	20JP-3-40-18/575	6,814.00	32
	3600	326JP	575V	20JP-3-50-36/575	6,633.00	32
50	1800	326JP	575V	20JP-3-50-18/575	7,299.00	32
	3600	364JP	575V	20JP-3-60-36/575	8,576.00	32
60	1800	364JP	575V	20JP-3-60-18/575	8,621.00	32

For Standard Product Line Features and Specifications, visit pages 30-31.

Premium Efficient Motors

Non-stock item may be available in limited supply or by special order. Contact Elektrim at 855-Go-Elektrim or support@elektrimmotors.com for details. Motors can be modified from Footed to C-Face and vice versa.

(a) See notes on inside back cover.

575V Brake Motor – 1-30 HP

3PH TEFC 60 Hz NEMA AC Foot Mounted and C-Face Motors

Ordering Information: Motors are re-rated from stock models to 575V. Lead time for re-rates is (1) business day and is subject to availability of stock motors in the Schaumburg, Illinois Warehouse.

HP	RPM	Frame	Volt	Footed Part Number	Motor List Price	Notes (a)
1	1800	143T	575V	20NFB-3-1-18/575	1,605.00	33,34
	1200	145T	575V	20NFB-3-1-12/575	1,649.00	33,34
1.5	3600	143T	575V	20NFB-3-1.5-36/575	1,562.00	33,34
	1800	145T	575V	20NFB-3-1.5-18/575	1,652.00	33,34
	1200	182T	575V	20NFB-3-1.5-12/575	2,178.00	33,34
2	3600	145T	575V	20NFB-3-2-36/575	1,621.00	33,34
	1800	145T	575V	20NFB-3-2-18/575	1,691.00	33,34
	1200	184T	575V	20NFB-3-2-12/575	2,331.00	33,34
3	3600	182T	575V	20NFB-3-3-36/575	2,121.00	33,34
	1800	182T	575V	20NFB-3-3-18/575	2,268.00	33,34
	1200	213T	575V	20NFB-3-3-12/575	2,711.00	32,34
5	3600	184T	575V	20NFB-3-5-36/575	2,382.00	33,34
	1800	184T	575V	20NFB-3-5-18/575	2,457.00	33,34
	1200	215T	575V	20NFB-3-5-12/575	3,065.00	32,34
7.5	3600	213T	575V	20NFB-3-7.5-36/575	2,836.00	32,34
	1800	213T	575V	20NFB-3-7.5-18/575	3,057.00	32,34
	1200	254T	575V	20NFB-3-7.5-12/575	4,140.00	32,34
10	3600	215T	575V	20NFB-3-10-36/575	3,082.00	32,34
	1800	215T	575V	20NFB-3-10-18/575	3,104.00	32,34
	1200	256T	575V	20NFB-3-10-12/575	4,221.00	32,34
15	3600	254T	575V	20NFB-3-15-36/575	4,145.00	32,34
	1800	254T	575V	20NFB-3-15-18/575	4,421.00	32,34
	1200	284T	575V	20NFB-3-15-12/575	5,543.00	32,34
20	3600	256T	575V	20NFB-3-20-36/575	4,499.00	32,34
	1800	256T	575V	20NFB-3-20-18/575	4,925.00	32,34
	1200	286T	575V	20NFB-3-20-12/575	6,325.00	32,34
25	3600	284TS	575V	20NFB-3-25-36/575	5,069.00	32,34
	1800	284T	575V	20NFB-3-25-18/575	5,845.00	32,34
30	3600	286TS	575V	20NFB-3-30-36/575	5,566.00	32,34
	1800	286T	575V	20NFB-3-30-18/575	6,078.00	32,34

HP	RPM	Frame	Volt	C-Face Part Number	Motor List Price	Notes (a)
1	1800	143TC	575V	20NCB-3-1-18/575	1,740.00	33,34
	1200	145TC	575V	20NCB-3-1-12/575	1,787.00	33,34
1.5	3600	143TC	575V	20NCB-3-1.5-36/575	1,693.00	33,34
	1800	145TC	575V	20NCB-3-1.5-18/575	1,791.00	33,34
	1200	182TC	575V	20NCB-3-1.5-12/575	2,365.00	33,34
2	3600	145TC	575V	20NCB-3-2-36/575	1,757.00	33,34
	1800	145TC	575V	20NCB-3-2-18/575	1,834.00	33,34
	1200	184TC	575V	20NCB-3-2-12/575	2,531.00	33,34
3	3600	182TC	575V	20NCB-3-3-36/575	2,302.00	33,34
	1800	182TC	575V	20NCB-3-3-18/575	2,462.00	33,34
	1200	213TC	575V	20NCB-3-3-12/575	2,945.00	32,34
5	3600	184TC	575V	20NCB-3-5-36/575	2,587.00	33,34
	1800	184TC	575V	20NCB-3-5-18/575	2,669.00	33,34
	1200	215TC	575V	20NCB-3-5-12/575	3,331.00	32,34
7.5	3600	213TC	575V	20NCB-3-7.5-36/575	3,081.00	32,34
	1800	213TC	575V	20NCB-3-7.5-18/575	3,323.00	32,34
	1200	254TC	575V	20NCB-3-7.5-12/575	4,503.00	32,34
10	3600	215TC	575V	20NCB-3-10-36/575	3,350.00	32,34
	1800	215TC	575V	20NCB-3-10-18/575	3,374.00	32,34
	1200	256TC	575V	20NCB-3-10-12/575	4,592.00	32,34
15	3600	254TC	575V	20NCB-3-15-36/575	4,508.00	32,34
	1800	254TC	575V	20NCB-3-15-18/575	4,810.00	32,34
	1200	284TC	575V	20NCB-3-15-12/575	6,032.00	32,34
20	3600	256TC	575V	20NCB-3-20-36/575	4,894.00	32,34
	1800	256TC	575V	20NCB-3-20-18/575	5,359.00	32,34
	1200	286TC	575V	20NCB-3-20-12/575	6,885.00	32,34
25	3600	284TSC	575V	20NCB-3-25-36/575	5,516.00	32,34
	1800	284TC	575V	20NCB-3-25-18/575	6,361.00	32,34
30	3600	286TSC	575V	20NCB-3-30-36/575	6,058.00	32,34
	1800	286TC	575V	20NCB-3-30-18/575	6,615.00	32,34

For Standard Product Line Features and Specifications, visit pages 35-36.

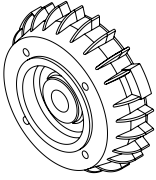
Premium Efficient Motors

Some limited discontinued EPACT motors available while supplies last. Contact Elektrim at 855-Go-Elektrim or support@elektrimmotors.com for details. Motors can be modified from Footed to C-Face and vice versa.

(a) See notes on inside back cover.

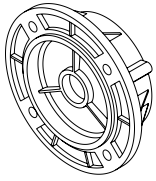
Premium Motor Spare Parts

Spare part number is applicable for **Motor Series** designated in column header. Series is indicated by motor prefix.



Premium C-Flanges

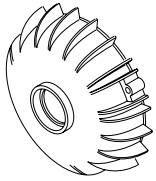
Frame	20N Series Part Number	List Price	31N Series Part Number	List Price	32N Series Part Number	List Price
140TC	22C-FLA-140	185.00	45C-FLA-140	233.00	46C-FLA-140	135.00
180TC	22C-FLA-180	222.00	45C-FLA-180	233.00	46C-FLA-180	215.00
210TC	22C-FLA-210	259.00	45C-FLA-210	389.00	46C-FLA-210	256.00
250TC	22C-FLA-250	407.00	45C-FLA-250	699.00	46C-FLA-250	430.00
280TC	22C-FLA-280	518.00	45C-FLA-280	1,010.00	46C-FLA-280	524.00
320TC	22C-FLA-320	1,214.00	45C-FLA-320	1,243.00	46C-FLA-320	820.00
360TC	22C-FLA-360	1,354.00	45C-FLA-360	1,797.00	46C-FLA-360	1,290.00
400TC	22C-FLA-400	1,539.00			46C-FLA-400	1,759.00
440TC	22C-FLA-440T	2,376.00			46C-FLA-445T	2,229.00
440TSC	22C-FLA-440TS	2,376.00			46C-FLA-440TS	2,229.00
449TC					46C-FLA-449T	2,229.00



Premium D-Flanges

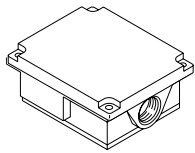
Frame	20N Series Part Number	List Price
320TD	22D-FLA-320	1,214.00
360TD	22D-FLA-360	1,332.00
400TD	22D-FLA-400	1,504.00
440TD	22D-FLA-440T	2,244.00

Frame	31N Series Part Number	List Price
140TD	45D-FLA-140	233.00
180TD	45D-FLA-180	233.00
210TD	45D-FLA-210	389.00
250TD	45D-FLA-250	699.00
280TD	45D-FLA-280	1,010.00
320TD	45D-FLA-320	1,243.00
360TD	45D-FLA-360	1,582.00



Premium Drive End Brackets

Frame	20N Series Part Number	List Price	31N Series Part Number	List Price	32N Series Part Number	List Price
140T	22BR-D-140	111.00	45BR-D-140	233.00	46BR-D-140	129.00
180T	22BR-D-180	126.00	45BR-D-180	233.00	46BR-D-180	207.00
210T	22BR-D-210	163.00	45BR-D-210	389.00	46BR-D-210	256.00
250T	22BR-D-250	222.00	45BR-D-250	699.00	46BR-D-250	427.00
280T	22BR-D-280	281.00	45BR-D-280	1,010.00	46BR-D-280	516.00
320T	22BR-D-320	525.00	45BR-D-320	1,243.00	46BR-D-320	820.00
360T	22BR-D-360	644.00	45BR-D-360	1,797.00	46BR-D-360	1,284.00
400T	22BR-D-400	770.00			46BR-D-400	1,757.00
440T	22BR-D-440T	1,103.00			46BR-D-445T	2,229.00
440TS	22BR-D-440TS	1,103.00			46BR-D-440TS	2,229.00
449T					46BR-D-449T	2,229.00

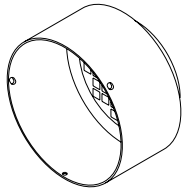


Premium Motor Junction Box

Frame	20N Series Part Number	List Price	31N Series Part Number	List Price	32N Series Part Number	List Price
140	22JUN-B-140	202.00	45JUN-B-180	48.00	46JUN-B-180	68.00
180	22JUN-B-210	231.00	45JUN-B-180	48.00	46JUN-B-180	68.00
210	22JUN-B-210	231.00	45JUN-B-210	62.00	46JUN-B-250	148.00
250	22JUN-B-280	355.00	45JUN-B-250	110.00	46JUN-B-250	148.00
280	22JUN-B-280	355.00	45JUN-B-280	205.00	46JUN-B-320	215.00
320	22JUN-B-320	585.00	45JUN-B-320	341.00	46JUN-B-320	215.00
360	22JUN-B-360	681.00	45JUN-B-360	518.00	46JUN-B-440	403.00
400	22JUN-B-400	866.00			46JUN-B-440	403.00
440	22JUN-B-440	866.00			46JUN-B-440	403.00

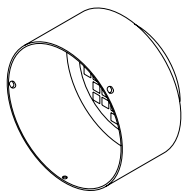
Premium Motor Spare Parts

Spare part number is applicable for **Motor Series** designated in column header. Series is indicated by motor prefix.



Premium Rolled Steel Fan Guards

Frame	20N Series Part Number	List Price	31N Series Part Number	List Price	32N Series Part Number	List Price
140	22F-GUA-140	94.00	45F-GUA-140	32.00	46F-GUA-140	55.00
180	22F-GUA-180	101.00	45F-GUA-180	75.00	46F-GUA-180	70.00
210	22F-GUA-210	171.00	45F-GUA-210	130.00	46F-GUA-210	83.00
250	22F-GUA-250	218.00	45F-GUA-250	243.00	46F-GUA-250	138.00
280	22F-GUA-280	275.00	45F-GUA-280	341.00	46F-GUA-280	193.00
320	22F-GUA-320	429.00	45F-GUA-320	531.00	46F-GUA-320	249.00
360	22F-GUA-360	533.00	45F-GUA-360	553.00	46F-GUA-360	345.00
400	22F-GUA-400	592.00			46F-GUA-400	1,612.00
440	22F-GUA-440	703.00			46F-GUA-440	1,880.00

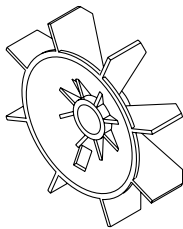
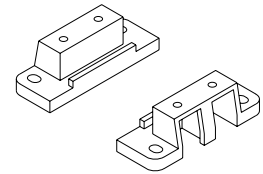


Premium Cast Iron Fan Guards

Frame	31N Series Part Number	List Price
140	45F-GUA-140-C	98.00
180	45F-GUA-180-C	181.00
210	45F-GUA-210-C	311.00
250	45F-GUA-250-C	524.00
280	45F-GUA-280-C	605.00
320	45F-GUA-320-C	784.00
360	45F-GUA-360-C	938.00

Premium Removable Feet

Frame	20N Series Part Number	List Price
320	22FEET-320	480.00
360	22FEET-360	600.00
400	22FEET-400	660.00
440	22FEET-440	900.00
447	22FEET-447	1,442.00

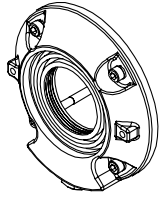


Premium Motor Fans

Frame	20N Series Part Number	List Price	31N Series Part Number	List Price	32N Series Part Number	List Price
140-2P	22FAN-140-2	74.00	45FAN-180-2	38.00	44FAN-140-4	29.00
140-4,6P	22FAN-140-4	74.00	45FAN-180-2	38.00	44FAN-140-4	29.00
180-2P	22FAN-180-2	87.00	45FAN-180-2	38.00	44FAN-180-2	29.00
180-4,6P	22FAN-180-4	87.00	45FAN-180-4	54.00	44FAN-180-2	29.00
210-2P	22FAN-180-2	87.00	45FAN-180-4	54.00	44FAN-210-2	54.00
210-4,6P	22FAN-180-2	87.00	45FAN-180-4	54.00	44FAN-210-2	54.00
250-2P	22FAN-250-2	202.00	45FAN-250-2	84.00	44FAN-250-2	81.00
250-4,6P	22FAN-250-4	202.00	45FAN-250-4	114.00	44FAN-250-2	81.00
280-2P	22FAN-250-2	202.00	45FAN-250-4	114.00	44FAN-280-2	107.00
280-4,6P	22FAN-250-4	202.00	45FAN-250-4	114.00	44FAN-280-2	107.00
320-2P	22FAN-320-2	377.00	45FAN-250-4	114.00	44FAN-320-2	162.00
320-4,6P	22FAN-320-4	377.00	45FAN-320-4	228.00	44FAN-320-2	162.00
360-2P	22FAN-320-2	377.00	45FAN-250-4	114.00	44FAN-360-2	202.00
360-4,6P	22FAN-320-4	377.00	45FAN-320-4	228.00	44FAN-360-4	202.00
400-2P	22FAN-320-2	377.00			44FAN-400-2	243.00
400-4,6P	22FAN-400-4	407.00			44FAN-400-2	243.00
440-2P	22FAN-440-2	407.00			44FAN-400-2	243.00
440-4,6P	22FAN-440-4	407.00			44FAN-400-2	243.00

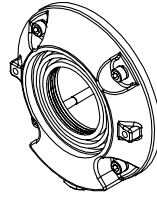
Premium Motor Spare Parts

Spare part number is applicable for **Motor Series** designated in column header. Series is indicated by motor prefix.



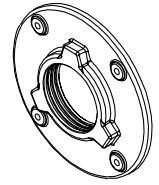
Premium DE External Bearing Caps

Frame	20N Series Part Number	List Price
320	22BC-D-320	215.00
360	22BC-D-360	215.00
400	22BC-D-400	215.00
440T	22BC-D-440T	244.00
440TS	22BC-D-400	215.00



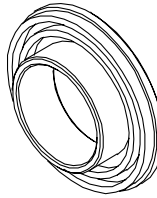
Premium NDE External Bearing Caps

Frame	20N Series Part Number	List Price
320	22BC-ND-320	215.00
360	22BC-ND-360	215.00
400	22BC-ND-400	215.00
440T	22BC-ND-440T	244.00
440TS	22BC-ND-400	215.00



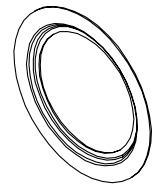
Premium Inner Bearing Caps

Frame	20N Series Part Number	List Price
320	22BC-I-320	133.00
360	22BC-I-360	133.00
400	22BC-I-400	141.00
440T	22BC-I-440T	192.00
440TS	22BC-I-400	141.00



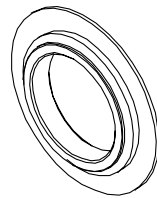
Premium Labyrinth Ring

Frame	20N Series Part Number	List Price
320	22LABYR-320	45.00
360	22LABYR-360	83.00
400	22LABYR-400	190.00
440T	22LABYR-440	227.00
440TS	22LABYR-400	190.00



Premium Grease Retainer

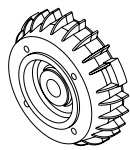
Frame	20N & 40N Series Part Number	List Price
320	42GRT-320	39.00
360	42GRT-360	41.00
400	42GRT-400	43.00
440T	42GRT-440	46.00
440TS	42GRT-400	43.00



Premium Bearing Slinger

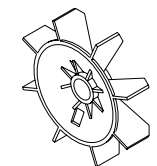
Frame	20N & 40N Series Part Number	List Price
320	42SLIN-320	135.00
360	42SLIN-360	140.00
400	42SLIN-400	143.00
440T	42SLIN-440	147.00
440TS	42SLIN-400	143.00

Single Phase High Torque Motor Spare Parts



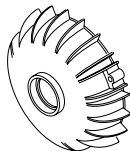
1PH TC-Frame C-Flanges

Frame	36T Series Part Number	List Price
180TC	47C-FLA-180	71.00
210TC	47C-FLA-210	96.00



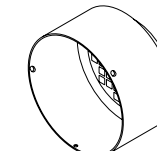
1PH T-Frame Fans

Frame	36T Series Part Number	List Price
180	47FAN-180-4	70.00
210	47FAN-210-4	84.00



1PH T-Frame Drive End Brackets

Frame	36T Series Part Number	List Price
180	47BR-D-180	71.00
210	47BR-D-210	96.00



1PH T-Frame Fan Guards

Frame	36T Series Part Number	List Price
180	47F-GUA-180	40.00
210	47F-GUA-210	55.00

1PH T-Frame Start Capacitor

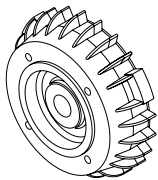
uF/350V	36T Series Part Number	List Price
300	47CAP-300	37.00
350	47CAP-350	45.00
400	47CAP-400	47.00
450	47CAP-450	48.00
500	47CAP-500	50.00
650	47CAP-650	62.00

1PH T-Frame Centrifugal Switch

Frame & Poles	36T Series Part Number	List Price
180 - 2P	47CEN-180-2	61.00
180 - 4P	47CEN-180-4	61.00
210 - 2P	47CEN-210-2	90.00
210 - 4P	47CEN-210-4	90.00

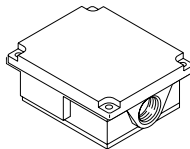
EPACT Motor Spare Parts

Spare part number is applicable for **Motor Series** designated in column header. Series is indicated by motor prefix.



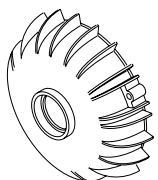
EPACT Motor C-Flanges

Frame & Poles	40N Series Part Number	List Price
140TC	22C-FLA-140	185.00
180TC	22C-FLA-180	222.00
210TC	22C-FLA-210	259.00
250TC	22C-FLA-250	407.00
280TC	22C-FLA-280	518.00
320TC-2,4,6P	42C-FLA-320	2,049.00
360TC-2,4P	42C-FLA-360	2,043.00
400TC-2,4P	42C-FLA-400	2,323.00
440TC-4P	42C-FLA-440T	2,855.00
440TSC-2P	42C-FLA-440TS	2,855.00



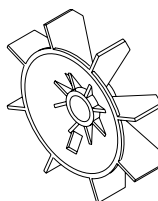
EPACT Motor Junction Box

Frame	33N Series Part Number	List Price	40N Series Part Number	List Price
140	46JUN-B-180	68.00	22JUN-B-140	202.00
180	46JUN-B-180	68.00	22JUN-B-210	231.00
210	46JUN-B-250	148.00	22JUN-B-210	231.00
250	46JUN-B-250	148.00	22JUN-B-280	355.00
280	46JUN-B-320	215.00	22JUN-B-280	355.00
320	46JUN-B-320	215.00	41JUN-B-320	1,097.00
360	46JUN-B-440	403.00	41JUN-B-360	1,190.00
400	46JUN-B-440	403.00	41JUN-B-400	1,246.00
440	46JUN-B-440	403.00	41JUN-B-440	1,637.00



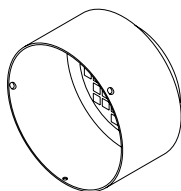
EPACT Motor Drive End Brackets

Frame & Poles	40N Series Part Number	List Price
140T	22BR-D-140	111.00
180T	22BR-D-180	126.00
210T	22BR-D-210	163.00
250T	22BR-D-250	222.00
280T	22BR-D-280	281.00
320T-2,4,6P	42BR-D-320	784.00
360T-2,4P	42BR-D-360	966.00
400T-2,4P	42BR-D-400	1,148.00
440T-4P	42BR-D-440	1,665.00
440TS-2P	42BR-D-440TS	1,665.00



EPACT Motor Fans

Frame & Poles	33N Series Part Number	List Price
140-2,4,6P	44FAN-140-2	29.00
180-2P	44FAN-180-2	29.00
180-4,6P	44FAN-180-4	29.00
210-2,4,6P	44FAN-210-2	54.00
250-2,4,6P	44FAN-250-2	81.00
280-2,4,6P	44FAN-280-2	107.00
320-2,4,6P	44FAN-320-2	162.00
360-2P	44FAN-360-2	202.00
360-4,6P	44FAN-360-4	202.00
400-2P	44FAN-400-2	243.00
400-4,6P	44FAN-400-4	243.00
440-2P	44FAN-440-2	484.00
440-4,6P	44FAN-440-4	484.00



EPACT Motor Steel Fan Guards

Frame	33N Series Part Number	List Price
140	44F-GUA-140	44.00
180	44F-GUA-180	58.00
210	44F-GUA-210	68.00
250	44F-GUA-250	122.00
280	44F-GUA-280	174.00
320	44F-GUA-320	217.00
360	44F-GUA-360	289.00
400	44F-GUA-400	361.00
440	44F-GUA-440	434.00

Frame & Poles	40N Series Part Number	List Price
140	22F-GUA-140	94.00
180	22F-GUA-180	101.00
210	22F-GUA-210	171.00
250	22F-GUA-250	218.00
280	22F-GUA-280	275.00
320-2,4,6P	42F-GUA-320	714.00
360-2,4P	42F-GUA-360	882.00
400-2,4P	42F-GUA-400	980.00
440-2,4P	42F-GUA-440	1,162.00
447-2,4P	42F-GUA-447	1,037.00

Frame & Poles	40N Series Part Number	List Price
140-2P	22FAN-140-2	74.00
140-4,6P	22FAN-140-4	74.00
180-2P	22FAN-180-2	87.00
180-4,6P	22FAN-180-4	87.00
210-2P	42FAN-180-2	87.00
210-4,6P	42FAN-210-4	153.00
250-2P	22FAN-250-2	202.00
250-4,6P	22FAN-250-4	202.00
284TS-2P	22FAN-250-2	202.00
286TS-2P	42FAN-284TS	230.00
280-4,6P	42FAN-280-4	230.00
320-2P	42FAN-284TS	230.00
320-4,6P	42FAN-280-4	230.00
360-2P	42FAN-284TS	230.00
360-4,6P	42FAN-280-4	230.00
400-2P	42FAN-400TS	700.00
400-4,6P	42FAN-400T	794.00
440-2P	42FAN-447-2	650.00
440-4,6P	42FAN-447-4	650.00

NEMA Brake Motor Spare Parts

Spare part number is applicable for **Motor Series** designated in column header.

Brake Rectifier

AC VOLT	Brake Series Part Number	List Price
460V	42REC-460V	110.00
230V	42REC-230V	163.00

NEMA Brake Motor Disk

Frame	Brake Series Part Number	List Price
140	42BRAKE-DISK-140	214.00
180	42BRAKE-DISK-180	320.00
210	42BRAKE-DISK-210	422.00
250	42BRAKE-DISK-250	557.00
280	42BRAKE-DISK-280	736.00

NEMA Brake Motor Electric Coil

Frame	Brake Series Part Number	List Price
140	42ELEC-COIL-140	285.00
180	42ELEC-COIL-180	550.00
210	42ELEC-COIL-210	722.00
250	42ELEC-COIL-250	967.00
280	42ELEC-COIL-280	1,292.00

NEMA Brake Motor Handle

Frame	Brake Series Part Number	List Price
140	42HANDLE-140	123.00
180	42HANDLE-180	295.00
210	42HANDLE-210	379.00
250	42HANDLE-250	486.00
280	42HANDLE-280	665.00

NEMA Brake Motor Gear Wheel

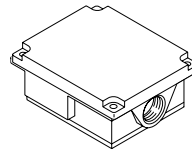
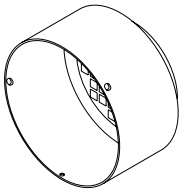
Frame	Brake Series Part Number	List Price
140	42GEAR-WHEEL-140	276.00
180	42GEAR-WHEEL-180	407.00
210	42GEAR-WHEEL-210	528.00
250	42GEAR-WHEEL-250	683.00
280	42GEAR-WHEEL-280	885.00

NEMA Brake Motor Reg. Bolt

Frame	Brake Series Part Number	List Price
140	42REG-BOLT-140	37.00
180	42REG-BOLT-180	54.00
210	42REG-BOLT-210	72.00
250	42REG-BOLT-250	95.00
280	42REG-BOLT-280	120.00

NEMA Brake Motor Fan Guards

Frame	Brake Series Part Number	List Price
140	42F-GUA-140-BRAKE	300.00
180	42F-GUA-180-BRAKE	350.00
210	42F-GUA-210-BRAKE	409.00
250	42F-GUA-250-BRAKE	450.00
280	42F-GUA-280-BRAKE	494.00

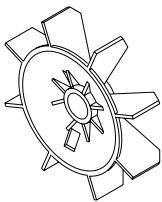


NEMA Brake Motor Junction Box

Frame	Brake Series Part Number	List Price
140	42JUN-B-140-BRAKE	112.00
180	42JUN-B-180-BRAKE	166.00
210	42JUN-B-210-BRAKE	166.00
250	42JUN-B-250-BRAKE	204.00
280	42JUN-B-280-BRAKE	242.00

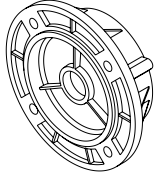
NEMA Brake Motor Fans

Frame	Brake Series Part Number	List Price
140-2P	42FAN-140-2-BRAKE	152.00
140-4,6P	42FAN-140-4-BRAKE	152.00
180-2P	22FAN-180-2	87.00
180-4,6P	22FAN-180-4	87.00
210-2P	22FAN-180-2	87.00
210-4,6P	22FAN-210-4	174.00
250-2P	22FAN-250-2	202.00
250-4,6P	22FAN-250-4	202.00
280-2P	22FAN-250-2	202.00
280-4,6P	22FAN-250-4	202.00



Metric IEC Frame Motor Spare Parts

Spare part number is applicable for **Motor Series** designated in column header. Series is indicated by motor prefix.



IEC Metric B5 Standard D-Flanges

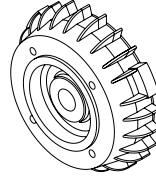
Frame & Poles	40M Series Part Number	List Price
56	41DM-FLA-56	92.00
63	41DM-FLA-63	104.00
71	41DM-FLA-71	161.00
80	41DM-FLA-80	190.00
90	41DM-FLA-90	228.00
100	41DM-FLA-100	335.00
112	41DM-FLA-112	419.00
132	41DM-FLA-132	491.00
160	41DM-FLA-160	958.00
180	41DM-FLA-180	1,046.00
200	41DM-FLA-200	2,079.00
225	41DM-FLA-225	2,328.00
250	41DM-FLA-250	2,500.00
280	41DM-FLA-280	3,275.00
280-2P	41DM-FLA-280-2P	3,275.00
315	41DM-FLA-315	3,275.00
315-2P	41DM-FLA-315-2P	3,275.00

Frame & Poles	20M Series Part Number	List Price
90	41DM-FLA-90	228.00
100	41DM-FLA-100	335.00
112	41DM-FLA-112	419.00
132	41DM-FLA-132	491.00
160	41DM-FLA-160	958.00
180	41DM-FLA-180	1,046.00
200-2,4,6P	22DM-FLA-200	1,206.00
225-2,4,6P	22DM-FLA-225	1,354.00
250-2,4,6P	22DM-FLA-250	1,947.00
280-4,6P	22DM-FLA-280	2,102.00
280-2P	22DM-FLA-280-2P	2,102.00
315-4,6P	22DM-FLA-315	2,916.00

IEC Metric B5 Reduction Flanges

B35 is non-standard reduced diameter B5 (D-Flange) flange motor with feet.

Frame	20M Series Part Number	List Price
90	41DM-FLA-90/R	228.00
100	41DM-FLA-100/R	335.00
112	41DM-FLA-112/R	419.00
132	41DM-FLA-132/R	491.00
160	41DM-FLA-160/R	958.00

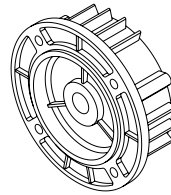


IEC Metric B14 Standard C-Flanges

B34 is standard B14 (C-Face) flange motor with feet.

Frame	40M Series Part Number	List Price
56	41CM-FLA-56/2	79.00
63	41CM-FLA-63/2	84.00
71	41CM-FLA-71/2	133.00
80	41CM-FLA-80/2	200.00
90	41CM-FLA-90/2	274.00
100	41CM-FLA-100/2	409.00
112	41CM-FLA-112/2	501.00
132	41CM-FLA-132/2	544.00
160	41CM-FLA-160/2	919.00

Frame	20M Series Part Number	List Price
90	41CM-FLA-90/2	274.00
100	41CM-FLA-100/2	409.00
112	41CM-FLA-112/2	501.00
132	41CM-FLA-132/2	544.00
160	41CM-FLA-160/2	919.00



IEC Metric B14 Increased C-Flanges

B34/1 is non-standard increased diameter B14 (C-Face) flange motor with feet.

Frame	40M Series Part Number	List Price
56	41CM-FLA-56/1	79.00
63	41CM-FLA-63/1	84.00
71	41CM-FLA-71/1	133.00
80	41CM-FLA-80/1	200.00
90	41CM-FLA-90/1	274.00
100	41CM-FLA-100/1	409.00
112	41CM-FLA-112/1	501.00
132	41CM-FLA-132/1	544.00
160	41CM-FLA-160/1	919.00

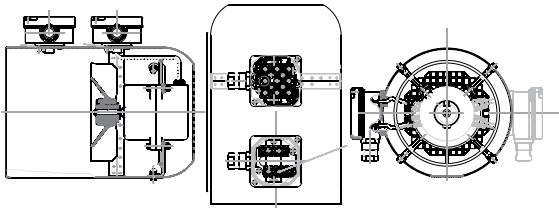
Frame	20M Series Part Number	List Price
90	41CM-FLA-90/1	274.00
100	41CM-FLA-100/1	409.00
112	41CM-FLA-112/1	501.00
132	41CM-FLA-132/1	544.00
160	41CM-FLA-160/1	919.00

NEMA and IEC Motor Accessories and Modifications

Accessories and Modifications are applicable for **Motor Series** designated in column header. Series is indicated by motor prefix.

NEMA Motor Drip Covers

Frame	C-Dimension Increase	20, 40, 60 Series Part Number	List Price
143T-145T	2.0 in	42F-GUA-140/DC	193.00
182T-184T	2.0 in	42F-GUA-180/DC	249.00
213T-215T	2.0 in	42F-GUA-210/DC	332.00
254T-256T	2.5 in	42F-GUA-250/DC	359.00
284T-286T	2.5 in	42F-GUA-280/DC	387.00
324T-326T	3.0 in	42F-GUA-320/DC	497.00
364T-365T	3.0 in	42F-GUA-360/DC	552.00
404T-405T	3.5 in	42F-GUA-400/DC	662.00
444T-445T	3.5 in	42F-GUA-440/DC	690.00
447T	3.5 in	42F-GUA-447/DC	828.00



Motor Blower Kits (3PH 230/460V 60Hz)

Frame	C-Dim Increase	40 Series Part Number	List Price	20 & 60 Series Part Number	List Price
182T-184T	8.8 in	42F-GUA-180/F	641.00	42F-GUA-180/F	641.00
213T-215T	8.2 in	42F-GUA-210/F	811.00	42F-GUA-210/F	811.00
254T-256T	7.2 in	42F-GUA-250/F	888.00	42F-GUA-250/F	888.00
284T-286T	7.5 in	42F-GUA-280/F	888.00	42F-GUA-280/F	888.00
324T-326T	11.8 in	42F-GUA-320/F	2,082.00	22F-GUA-320/F	2,236.00
364T-365T	13.6 in	42F-GUA-360/F	3,467.00	22F-GUA-360/F	3,818.00
404T-405T	13.5 in	42F-GUA-400/F	3,693.00	22F-GUA-400/F	4,313.00
444T-447T	11.6 in	42F-GUA-440/F	4,244.00	22F-GUA-440/F	4,803.00

F2/F1 Mount Modifications

F2/F1 prices for **all Elektrim Motors** where applicable.

NEMA Frame	IEC Frame	List Price
Up to 210T	N/A	186.00
250T	N/A	249.00
280T	N/A	249.00
320T	N/A	426.00
360T	200	593.00
400T	225	646.00
444/5T	250	736.00
447/9T	280	835.00

Drip Cover Kits are used in motors for shaft down outdoor applications.

* IEC Motors up to 112 Frame are equipped with terminal board as standard.

Motors requiring modification may only be available, as priced herein, at our Schaumburg, IL location. Modifications from other warehouses may be available at an additional charge. Contact Customer Support for details.

Motor DE Ball to Roller Bearing Conversions

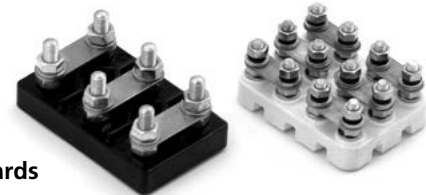
NEMA Frame	IEC Frame	Bearing	List Price Installed
320T	200	NU312	291.00
360T	225	NU313	378.00
400T	250	NU315	566.00
444-445T	280-315	NU318	863.00
447T	-	NU320	1,576.00
449T	-	NU319	1,044.00

NEMA Motor DE Roller to Ball Bearing Conversions

Frame	Bearing	List Price Installed
447T	6320C3	1000.00
449T	6319C3	1,035.00
586/7	6322C3	1,050.00

Bearings

Bearing	Part Number	List Price	Bearing	Part Number	List Price
6205 2Z C3	41-6205ZZ	75.00	6320C3	41-6320C3	1,200.00
6306 2Z C3	41-6306ZZ	90.00	6322C3	41-6322C3	1,800.00
6308 2Z C3	41-6308ZZ	200.00	NU312	41-NU312	592.00
6309 2Z C3	41-6309ZZ	250.00	NU313	41-NU313	770.00
6311 2Z C3	41-6311ZZ	306.00	NU314	41-NU314	890.00
6312C3	41-6312C3	505.00	NU315	41-NU315	990.00
6313C3	41-6313C3	600.00	NU317	41-NU317	1,100.00
6314C3	41-6314C3	800.00	NU318	41-NU318	1,200.00
6315C3	41-6315C3	850.00	NU319	41-NU319	1,860.00
6317C3	41-6317C3	903.00	NU320	41-NU320	1,950.00
6318C3	41-6318C3	1,067.00	NU322	41-NU322	2,100.00
6319C3	41-6319C3	1,100.00			

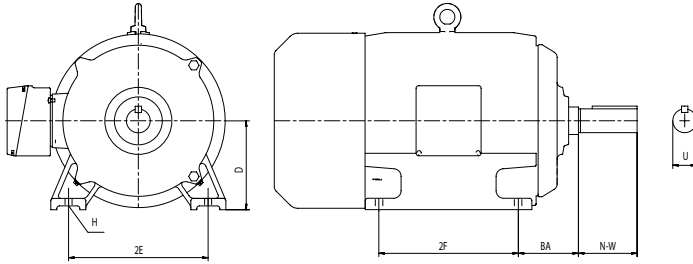


Terminal Boards

NEMA Frame	IEC Frame	Part Number	List Price Un-Installed	List Price Installed
143T-145T	N/A*	41TER-B-140	97.00	303.00
182T-184T	N/A*	41TER-B-180	111.00	303.00
213T-215T	132	41TER-B-280-6T	138.00	303.00
254T-256T	160	41TER-B-280-6T	138.00	303.00
284T-286T	180	41TER-B-280-6T	138.00	303.00
324T-326T	200	41TER-B-200	207.00	414.00
364T-365T	225	41TER-B-200	207.00	414.00
404T-405T	250	41TER-B-315	622.00	898.00
444T-445T	280	41TER-B-315	622.00	898.00
447T	315	41TER-B-315	622.00	898.00

Metric IEC and NEMA Dimensional Comparison and Bearing Charts

Information listed below applies to 20, 40 and 60 series motors only. Series is indicated by motor prefix.



Dimensions in Millimeters									HP Frame Assignment		
IEC	NEMA	D	2E	2F	H	U	BA	N-W	3 Phase		
									2 Pole	4 Pole	6 Pole
56	-	56	90	71	5.8	9	36	20	.17	.12	.08
-	N/A	-	-	-	-	-	-	-	-	-	-
63	-	63	100	80	7	11	40	23	1/3	1/4	.17
-	N/A	-	-	-	-	-	-	-	-	-	-
71	-	71	112	90	7	14	45	30	3/4	1/2	1/3
-	42	66.7	89	42.8	7.1	9.5	52.4	28.6	3/4	1/2	1/3
80	-	80	125	100	10	19	50	40	1-1/5	1	3/4
-	48	76.2	108	69.8	8.7	12.7	63.5	38.1	1-1/2	1	3/4
90S	-	90	140	100	10	24	56	50	2	1-1/2	1
-	56	88.9	123.9	76.2	8.7	15.9	69.9	47.6	2	1-1/2	1
90L	-	90	140	125	10	24	56	50	3	2	1-1/2
-	56	88.9	123.9	76.2	8.7	15.9	69.9	47.6	3	2	1-1/2
100L	-	100	160	140	12	28	63	60	4	3 & 4	2
-	145T	88.9	139.6	127	8.6	22.2	57.2	57.2	4	3	2
112M	-	112	190	140	12	28	70	60	5.5	5.5	3
-	184T	114.3	190.4	139.7	10.4	28.6	70	69.9	5	5	2
132S	-	132	216	140	12	38	89	80	7.5 & 10	7.5	4
-	213T	133.4	216	139.7	10.4	34.9	89.9	85.9	7.5	7.5	3
132M	-	132	216	178	12	38	89	80	NA	10	5.5 & 7.5
-	215T	133.4	216	177.8	10.4	34.9	89.9	85.9	10	10	5
160M	-	160	254	210	15	42	108	110	15 & 20	15	10
-	254T	158.8	254	209.6	14	41.3	108	101.6	15	15	7.5
160L	-	160	254	254	15	42	108	110	25	20	15
-	256T	158.8	254	254	14	41.3	108	101.6	20	20	10
180M	-	180	279	241	15	48	121	110	30	25	NA
-	284T	177.8	279.6	241.3	14	47.6	120.7	117.5	25	25	15
180L	-	180	279	279	15	48	121	110	NA	30	20
-	286T	177.8	279.6	279.4	14	47.6	120.7	117.5	30	30	20
200L	-	200	318	305	19	55	133	110	40 & 50	40	25 & 30
-	326T	203.2	317.6	304.8	16.8	54	133.4	133.4	50	50	30
225S	-	225	356	286	19	60	149	140	NA	50	NA
-	364T	228.6	355.6	285.8	16.8	60.3	149.4	149.4	60	60	40
225M	-	225	356	311	19	60	149	140	60	60	40
-	365T	228.6	355.6	311.2	16.8	60.3	149.4	149.4	75	75	50
250M	-	250	406	349	24	65	168	140	75	75	50
-	405T	254	406.4	349.2	20.6	73	168.2	182.2	100	100	75
280S	-	280	457	368	24	75	190	140	100	100	60
-	444T	279.4	457.2	368.4	20.6	85.7	190.5	215.9	125	125	100
280M	-	280	457	419	24	75	190	140	125	125	75
-	445T	279.4	457.2	419.2	20.6	85.7	190.5	215.9	150	150	125

Metric 2-pole motors IEC225 frame and up and NEMA 2-pole motors 280TS frame and up come standard with short shaft not included in dimensional chart.

Standard NEMA motors have junction box in F1 position. Standard Efficiency Metric motors up to IEC180 frame have junction box on top (F3), IEC200 and up come with junction box in F2 position. High Efficiency Metric motors come with junction box on top (F3).

Multiply HP by 0.7457 to convert HP to KW. Multiply millimeters by 0.03937 to convert millimeters to inches.

20 & 40 Series IEC Metric Motor Bearings

Frame	# of Poles	Bearing
56	ALL	6201 2Z
63	ALL	6202 2Z
71	ALL	6203 2Z
80	ALL	6204 2Z
90	ALL	6205 2Z
100	ALL	6206 2Z
112	ALL	6306 2Z
132	ALL	6308 2Z
160	ALL	6309 2Z
180	ALL	6311 2Z
200	ALL	6312 C3
225	ALL	6313 C3
250	ALL	6315 C3
280	2	6315 C3
Sg 280 / SIE 280	4 - 12	6317 C3 / 6318 C3
315	2	6315 C3
315	4 - 12	6318 C3

20, 40 & 60 Series NEMA Motor Bearings

Frame	DE Bearing	NDE Bearing
143T	6205 2Z C3	6205 2Z C3
145T	6205 2Z C3	6205 2Z C3
182T	6306 2Z C3	6306 2Z C3
184T	6306 2Z C3	6306 2Z C3
ESg 213T / SIE 213T	6308 2Z C3	6308 / 6306 2Z C3
ESg 215T / SIE 215T	6308 2Z C3	6308 / 6306 2Z C3
254T	6309 2Z C3	6309 2Z C3
256T	6309 2Z C3	6309 2Z C3
284T	6311 2Z C3	6311 2Z C3
286T	6311 2Z C3	6311 2Z C3
324T	6312 C3	6312 C3
326T	6312 C3	6312 C3
364T	6313 C3	6313 C3
365T	6313 C3	6313 C3
404T	6315 C3	6315 C3
405T	6315 C3	6315 C3
444TS	6315 C3	6315 C3
444T	6318 C3	6318 C3
445TS	6315 C3	6315 C3
445T	6318 C3	6318 C3
447TS	6315 C3	6315 C3
447T	6318 C3	6318 C3
449T	NU319	6314 C3
586 / 587	NU322	6322 C3
587UZ / 588UZ	NU324	6324 C3

Elektrim NEMA motors come with a ball bearing as standard.

Crusher Series NEMA motors come with a roller bearing as standard.

All short shaft motors up to 405TS have the same bearing as T-shaft motor.

20 & 40 Series IEC Metric Drilled and Tapped Shaft

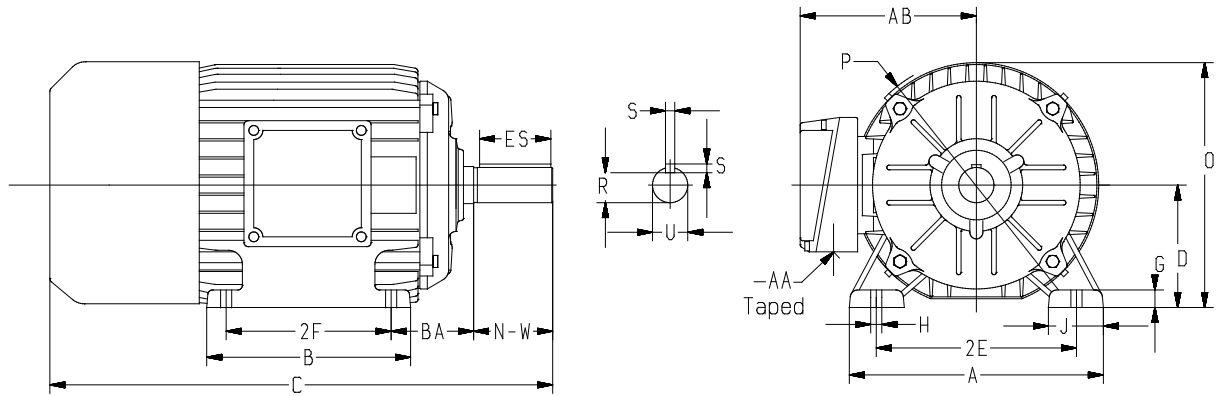
IEC Frame	Thread Type	Depth (mm)
56	M3	8
63	M4	10
71	M5	12
80	M6	16
90	M8	19
100-112	M10	22
132	M12	28
160-180	M16	36
200-280	M20	42
355	M24	50

Performance Premium 20N Series – 1-300 HP
Performance Data

HP	RPM	Frame	Torque			FLA			LRA		Efficiency			Power Factor			NEMA Design	Code	SF	WK ² lb ft ²	lbs
			FLT lb-ft	LRT %	BDT %	460V	575V	208V	460V	575V	FL	75%	50%	FL	75%	50%					
1	1765	143T	3	300	320	1.4	1.1	3.1	12.9	10.3	85.5	84.5	81.3	78	70	57	B	M	1.4	0.09	53
	1160	145T	4.5	240	300	1.7	1.4	3.8	10	8	82.5	81.9	78.6	68	59	46	B	K	1.4	0.15	55
1.5	3540	143T	2.2	350	410	2.1	1.7	4.6	20	16	84.5	83.2	79.8	78	69	57	B	M	1.4	0.07	56
	1750	145T	4.5	300	400	2	1.6	4.4	16.6	13.3	87	86.8	85	79	72	59	B	K	1.4	0.1	57
2	1170	182T	6.7	190	280	2.4	1.9	5.3	14	11.2	87.5	86.9	84.5	68	59	47	B	J	1.4	0.4	85
	3525	145T	3	360	400	2.7	2.2	6.0	25.4	20.3	86	85.7	83.3	82	75	62	B	L	1.4	0.08	57
3	1745	145T	6	260	340	2.6	2.1	5.8	19.2	15.4	86.5	87.1	85.8	83	77	64	B	J	1.4	0.13	59
	1170	184T	9	200	300	3	2.4	6.6	25	20	88.5	88.6	86.9	72	64	51	B	L	1.4	0.45	98
5	3500	182T	4.5	310	320	4	3.2	8.8	32	25.6	86.5	86.4	84.4	82	76	65	B	M	1.4	0.12	76
	1775	182T	8.9	320	400	4.2	3.4	9.3	38	30.4	89.5	88.5	85.8	75	67	54	A	M	1.4	0.27	102
7.5	1165	213T	13.5	260	360	4.2	3.4	9.3	32	25.6	89.5	89.5	88	74	68	56	B	K	1.4	1.45	205
	3535	184T	7.4	450	530	6.2	5.0	13.7	73	58.4	89	88.6	86.7	85	80	68	A	N	1.4	0.2	102
10	1770	184T	14.8	300	380	6.7	5.4	14.8	61	48.8	89.5	89.2	87.6	78	71	58	A	L	1.3	0.34	108
	1170	215T	22.4	250	350	7	5.6	15.5	46	36.8	89.5	89.6	88.2	75	69	57	B	J	1.3	1.56	220
15	3525	213T	11.2	290	315	8.5	6.8	18.8	76	60.8	90	90	88.7	92	89	81	A	K	1.3	0.45	159
	1765	213T	22.3	240	290	9.3	7.4	20.6	71	56.8	91.7	91.6	90.5	82	78	67	A	J	1.3	0.87	167
20	1185	254T	33.2	320	350	10.4	8.3	23.0	77.5	62	91	90.6	88.6	74	67	54	A	K	1.3	2.63	321
	3535	215T	14.8	300	335	11.4	9.1	25.2	93	74.4	90.2	90.4	89.3	91	88	80	A	J	1.3	0.5	173
25	1770	215T	29.6	230	280	12.5	10.0	27.6	87	69.6	91.7	91.7	90.4	82	77	66	A	H	1.3	0.99	185
	1180	256T	44.5	290	330	13.4	10.7	29.6	94	75.2	91	90.8	89.2	77	70	58	A	J	1.3	3.31	363
30	3540	254T	22.3	240	250	17.6	14.1	38.9	112	90	91.7	91.8	90.5	87	85	77	B	G	1.3	1.15	258
	1775	254T	44.3	380	440	17.3	13.8	38.3	168	134.4	92.4	92	90.7	88	84	76	A	K	1.3	2.89	301
40	1185	284T	66.4	470	380	19.5	15.6	43.1	180	144	91.7	91.2	89	79	73	61	A	L	1.3	5.19	371
	3540	256T	29.7	230	260	22.9	18.3	50.6	138	110	92	92.4	91.7	89	88	82	B	F	1.3	1.47	306
50	1775	256T	59.1	380	450	22.9	18.3	50.6	230	184	93	92.7	91.4	88	84	76	A	L	1.2	3.57	390
	1185	286T	88.5	380	320	25.5	20.4	56.4	221	177	91.7	91.1	89.1	80	74	63	A	L	1.2	6.03	421
75	3555	284TS	36.9	260	300	29.5	23.6	65.2	205	164	92.4	92.4	91.3	86	82	74	A	H	1.2	1.72	348
	1780	284T	73.7	380	420	30.5	24.4	67.5	300	240	93.6	93.1	91.6	82	76	66	A	L	1.2	3.59	397
100	1190	324T	110	230	240	31.5	25	69.7	182	146	93	93.3	92.4	80	75	65	B	G	1.3	12.9	653
	3540	286TS	44.5	250	300	35.2	28.2	77.8	215	172	91.7	92	91.2	87	85	80	A	G	1.2	1.92	390
125	1780	286T	88.4	370	390	37.5	30.0	82.9	350	280	93.6	93	91.3	80	73	61	A	L	1.2	3.84	441
	1190	326T	132	230	240	37	30	81.8	217	174	93	93.3	92.6	82	78	69	B	G	1.3	14.7	681
150	3552	324TS	59	145	200	44	35	97.3	290	232	93	93.6	93.3	92	91	88	B	G	1.2	4	608
	1780	324T	118	240	270	45	36	99.5	290	232	94.1	94.7	94.3	88	86	78	B	G	1.3	9.3	690
200	1192	364T	176	180	210	48.5	39	107.3	290	232	94.1	94.2	93.5	82	78	68	B	G	1.3	23.1	917
	3552	326TS	74	145	200	55	44	121.6	362	290	93	93.7	93.5	92	92	89	B	G	1.2	4.7	655
250	1781	326T	148	250	270	56	45	123.8	362	290	94.5	95.1	94.9	88	85	78	B	G	1.3	11.6	769
	1191	365T	221	170	200	60	48	132.7	362	290	94.1	94.3	93.7	83	80	71	B	G	1.3	25.9	970
300	3562	364TS	88.5	125	200	65	52	143.8	435	348	93.6	94.1	93.8	92	91	87	B	G	1.2	6.5	860
	1786	364T	177	140	200	67	54	148.2	435	348	95	95.6	95.3	88	87	80	B	G	1.2	15.5	926
350	1192	404T	264	180	200	72	58	159.2	435	348	94.5	94.4	93.7	82	78	68	B	G	1.3	36.8	1127
	3560	365TS	111	120	200	81	65	179.1	542	434	94.1	94.8	94.7	92	91	89	B	G	1.2	7.9	933
400	1787	365T	221	150	210	84	67	185.8	542	434	95.4	95.8	95.5	88	86	80	B	G	1.2	17.8	1012
	1191	405T	331	140	200	91	73	201.3	542	434	94.5	94.9	94.4	82	79	70	B	G	1.2	41.9	1210
500	3565	405TS	147	170	240	109	87	241.1	725	580	95.4	95.6	95.3	90	88	83	B	G	1.2	10	1058
	1785	405T	294	220	230	108	86	238.8	790	632	95.4	95.9	95.7	91	89	84	B	G	1.2	29.8	1241
600	1192	444T	441	190	200	123	98	272.0	725	580	95	94.9	93.9	80	75	65	B	G	1.2	64.1	1726
	3578	444TS	184	140	260	133	106	–	950	760	95.4	95.7	95.5	92	90	86	B	G	1.2	22.5	1488
750	1788	444T	367	175	210	136	109	–	907	726	95.8	96.2	96.1	90	89	85	B	G	1.2	42.9	1662
	1192	445T	551	190	200	153	122	–	910	728	95.4	95.6	95.3	80	77	67	B	G	1.2	76.3	1931
900	3578	445TS	220	160	270	159	127	–	1180	944	95.8	96.1	96	92	91	86	B	G	1.2	28.4	1594
	1788	445T	441	180	200	161	129	–	1085	868	95.8	96.2	96.1	91	90	86	B	G	1.2	52.7	1823
1100	3578	447TS	294	150	250	210	168	–	1500	1200	95.8	96.2	96.1	93	92	88	B	G	1.2	29.1	2161
	1790	447T	587	170	200	218	174	–	1550	1240	96.5	96.7	96.2	89	87	81	B	G	1.2	68	2310
1300	3579	447TS	367	180	270	261	209	–	1900	1520	96.2	96.6	96.5	93	92	89	B	G	1.2	36.9	2271
	1788	447T	735	160	200	267	214	–	1825	1460	96.2	96.6	96.5	91	90	85	B	G	1.2	81.5	2447
1500	3574	447TS	441	145	220	320	256	–	1912	1530	95.5	96.2	96.7	92	91	90	B	F	1.0	36.9	2271
	1785	447T	883	130	165	325	260	–	1825	1460											

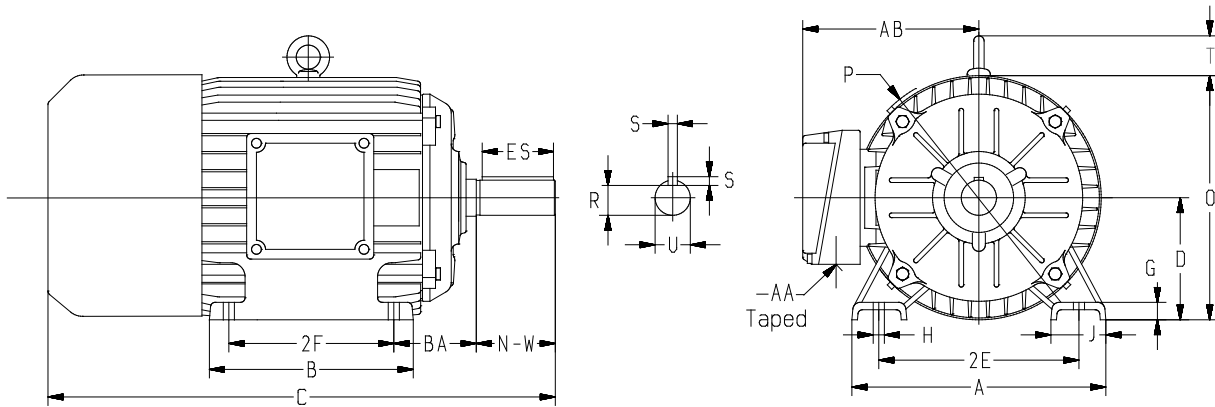
Performance Premium 20N Series – 143T-286TS Footed
Mounting Dimensions

143T-145T



Frame	# of Poles	Mounting Dimensions											Overall Dimensions								
		A	B	D	2E	2F	H	R	U	N-W	AA	BA	ES	C	G	J	O	P	S	AB	Bearings
143T	2,4,6	6.62	5.83	3.5	5.5	4	0.34	0.771	0.875	2.25	3/4	2.25	1.52	14.2	0.39	1.66	7.48	8.27	0.188	6.5	6205 2Z
145T	2,4,6	6.62	7	3.5	5.5	5	0.34	0.771	0.875	2.25	3/4	2.25	1.52	15.15	0.39	1.66	7.48	8.27	0.188	6.5	6205 2Z

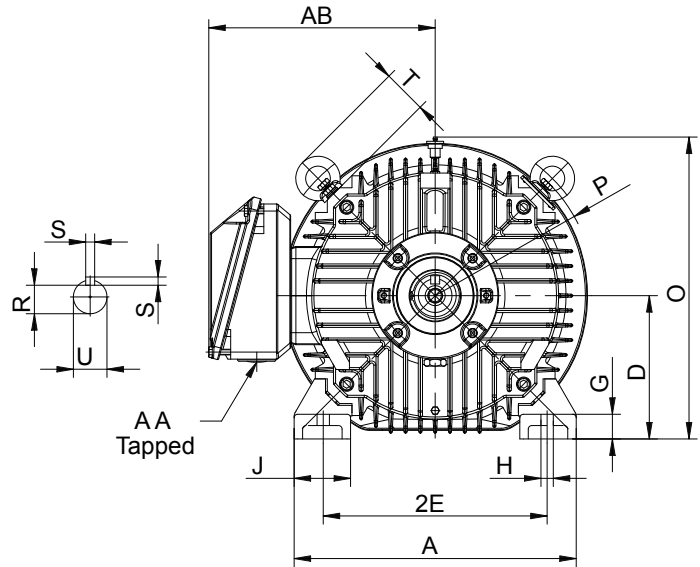
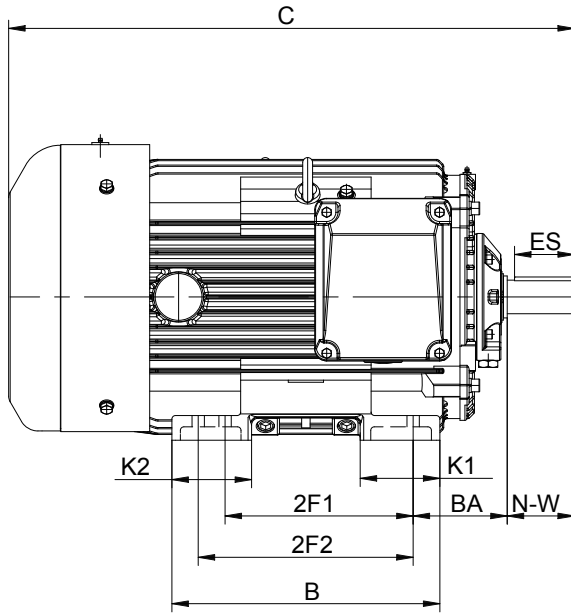
182T-286TS



Frame	# of Poles	Mounting Dimensions											Overall Dimensions									
		A	B	D	2E	2F	H	R	U	N-W	AA	BA	ES	C	G	J	O	P	S	T	AB	Bearings
182T	2,4,6	9	8.31	4.5	7.5	4.5	0.41	0.986	1.125	2.75	1	2.75	1.94	17.7	0.6	2.13	9.09	9.53	0.25	1.77	7.9	6306 2Z
184T	2,4,6	9	8.31	4.5	7.5	5.5	0.41	0.986	1.125	2.75	1	2.75	1.94	17.7	0.6	2.13	9.09	9.53	0.25	1.77	7.9	6306 2Z
213T	2,4,6	10.24	8.7	5.25	8.5	5.5	0.41	1.201	1.375	3.38	1	3.5	2.55	22.25	0.67	2.2	10.96	11.61	0.312	2.08	8.92	6308/6 2Z
215T	2,4,6	10.24	10.28	5.25	8.5	7	0.41	1.201	1.375	3.38	1	3.5	2.55	22.88	0.67	2.2	10.96	11.61	0.312	2.08	8.92	6308/6 2Z
254T	2,4,6	12.28	9.92	6.25	10	8.25	0.55	1.416	1.625	4	1 1/4	4.25	3.11	25.83	0.58	2.36	13.18	14.17	0.375	2.08	10.08	6309 2Z
256T	2,4,6	12.28	11.65	6.25	10	10	0.55	1.416	1.625	4	1 1/4	4.25	3.11	27.6	0.58	2.36	13.18	14.17	0.375	2.08	10.08	6309 2Z
284T	4,6	13.78	13.11	7	11	9.5	0.55	1.591	1.875	4.62	1 1/2	4.75	3.53	31.16	0.89	2.75	14.01	14.17	0.5	2.08	10.34	6311 2Z
284TS	2	13.78	13.11	7	11	9.5	0.55	1.416	1.625	3.25	1 1/2	4.75	2.1	27.2	0.89	2.75	14.01	14.17	0.375	2.08	10.34	6311 2Z
286T	4,6	13.78	13.11	7	11	11	0.55	1.591	1.875	4.62	1 1/2	4.75	3.53	31.16	0.89	2.75	14.01	14.17	0.5	2.08	10.34	6311 2Z
286TS	2	13.78	13.11	7	11	11	0.55	1.416	1.625	3.25	1 1/2	4.75	2.1	27.2	0.89	2.75	14.01	14.17	0.375	2.08	10.34	6311 2Z

The conduit box can be rotated in 90° increments so that conduit can be received from any direction. Conduit box can be located on either side of motor.

Performance Premium 20N Series – 324TS-447T Footed Mounting Dimensions

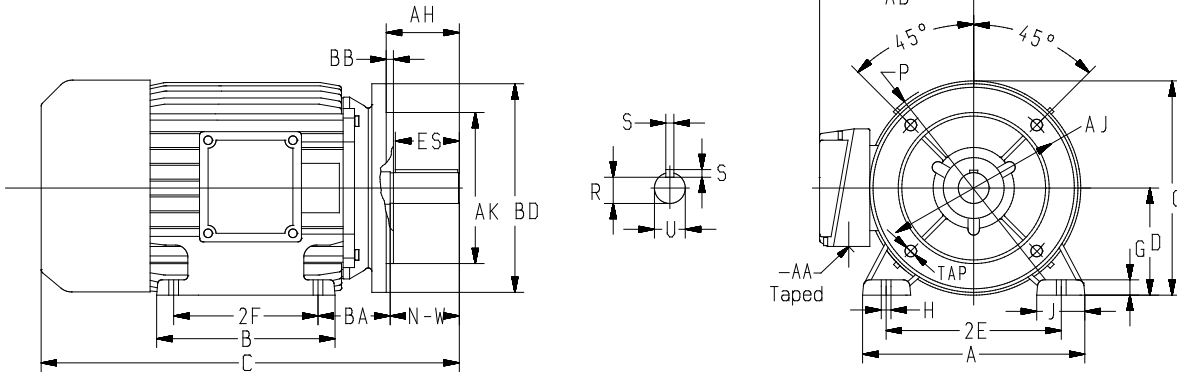


Frame	# of Poles	Mounting Dimensions												Overall Dimensions											
		D	2E	2F1	2F2	G	H	Shaft End						A	AA	AB	B	C	J	K1	K2	O	P	T	Bearings
								BA	ES	N-W	R	S	U												
324TS	2	8	12.5	10.5	12	1.38	0.66	5.25	2.75	3.75	1.591	0.5	1.875	15.8	2	13	15	31.6	3.15	4.45	4.45	16.9	17.9	2.5	6312C3
324T	4,6	8	12.5	10.5	12	1.38	0.66	5.25	4.33	5.25	1.845	0.5	2.125	15.8	2	13	15	33.1	3.15	4.45	4.45	16.9	17.9	2.5	6312C3
326TS	2	8	12.5	10.5	12	1.38	0.66	5.25	2.75	3.75	1.591	0.5	1.875	15.8	2	13	15	31.6	3.15	4.45	4.45	16.9	17.9	2.5	6312C3
326T	4,6	8	12.5	10.5	12	1.38	0.66	5.25	4.33	5.25	1.845	0.5	2.125	15.8	2	13	15	33.1	3.15	4.45	4.45	16.9	17.9	2.5	6312C3
364TS	2	9	14	11.25	12.25	1.49	0.66	5.88	2.75	3.75	1.591	0.5	1.875	17.5	3	14.2	15	33.6	3.35	4.53	4.53	18.8	19.9	2.5	6313C3
364T	4,6	9	14	11.25	12.25	1.49	0.66	5.88	4.92	5.88	2.021	0.625	2.375	17.5	3	14.2	15	35.7	3.35	4.53	4.53	18.8	19.9	2.5	6313C3
365TS	2	9	14	11.25	12.25	1.49	0.66	5.88	2.75	3.75	1.591	0.5	1.875	17.5	3	14.2	15	33.6	3.35	4.53	4.53	18.8	19.9	2.5	6313C3
365T	4,6	9	14	11.25	12.25	1.49	0.66	5.88	4.92	5.88	2.021	0.625	2.375	17.5	3	14.2	15	35.7	3.35	4.53	4.53	18.8	19.9	2.5	6313C3
404T	6	10	16	12.25	13.75	1.57	0.81	6.62	6.3	7.25	2.45	0.75	2.875	18.9	3	15.5	17.6	40.4	3.54	5.32	5.32	20.8	21.3	2.95	6315C3
405TS	2	10	16	12.25	13.75	1.57	0.81	6.62	3.5	4.25	1.845	0.5	2.125	18.9	3	15.5	17.6	37.4	3.54	5.32	5.32	20.8	21.3	2.95	6315C3
405T	4,6	10	16	12.25	13.75	1.57	0.81	6.62	6.3	7.25	2.45	0.75	2.875	18.9	3	15.5	17.6	40.4	3.54	5.32	5.32	20.8	21.3	2.95	6315C3
444TS	2	11	18	14.5	16.5	1.57	0.81	7.5	4.3	4.75	2.021	0.625	2.375	21.7	2x3	17.6	20.5	42	4.15	5.12	6.5	23.4	24.4	3.75	6315C3
444T	4,6	11	18	14.5	16.5	1.57	0.81	7.5	7.9	8.5	2.88	0.875	3.375	21.7	2x3	17.6	20.5	45.7	4.15	5.12	6.5	23.4	24.4	3.75	6318C3
445TS	2	11	18	14.5	16.5	1.57	0.81	7.5	4.3	4.75	2.021	0.625	2.375	21.7	2x3	17.6	20.5	42	4.15	5.12	6.5	23.4	24.4	3.75	6315C3
445T	4,6	11	18	14.5	16.5	1.57	0.81	7.5	7.9	8.5	2.88	0.875	3.375	21.7	2x3	17.6	20.5	45.7	4.15	5.12	6.5	23.4	24.4	3.75	6318C3
447TS	2	11	18	20	-	1.654	0.81	7.5	4.3	4.75	2.021	0.625	2.375	22.1	2x3	19.5	24	46.3	4.18	6.8	6.8	23.4	24.4	3.75	6315C3
447T	4,6	11	18	20	-	1.654	0.81	7.5	7.9	8.5	2.88	0.875	3.375	22.1	2x3	19.5	24	50	4.18	6.8	6.8	23.4	24.4	3.75	6318C3

The conduit box can be rotated in 90° increments so that conduit can be received from any direction.

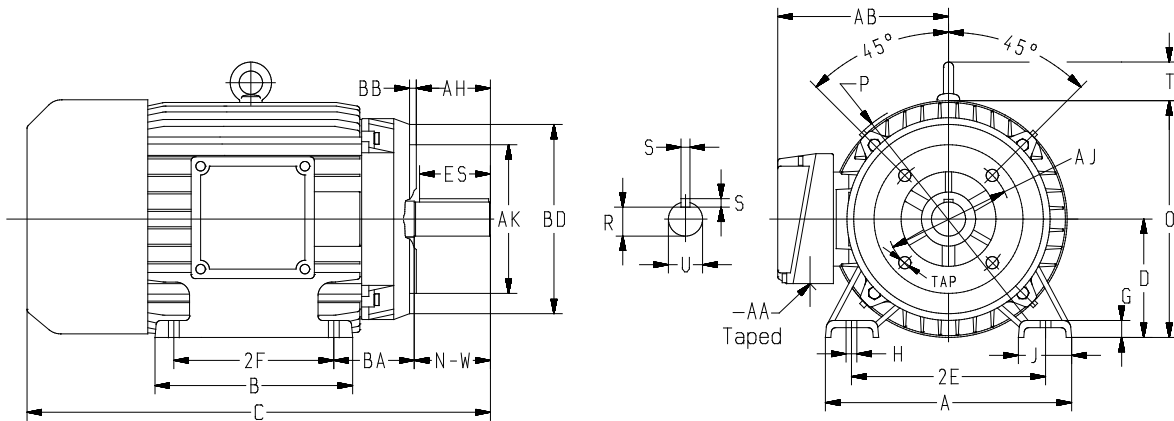
Performance Premium 20N Series – 143TC-286TSC C-Face
Mounting Dimensions

143TC-145TC



Frame	# of Poles	Mounting Dimensions															Overall Dimensions										
		A	B	D	2E	2F	H	R	S	U	AH	AJ	AK	BA	BB	BD	ES	C	G	J	O	P	N-W	AA	AB	Tap	Bearings
143TC	2,4,6	6.62	5.83	3.5	5.5	4	0.34	0.771	0.188	0.875	2.12	5.875	4.5	2.25	0.16	6.5	1.52	14.2	0.39	1.66	7.48	8.27	2.25	3/4	6.5	3/8/16	6205 2Z
145TC	2,4,6	6.62	7	3.5	5.5	5	0.34	0.771	0.188	0.875	2.12	5.875	4.5	2.25	0.16	6.5	1.52	15.15	0.39	1.66	7.48	8.27	2.25	3/4	6.5	3/8/16	6205 2Z

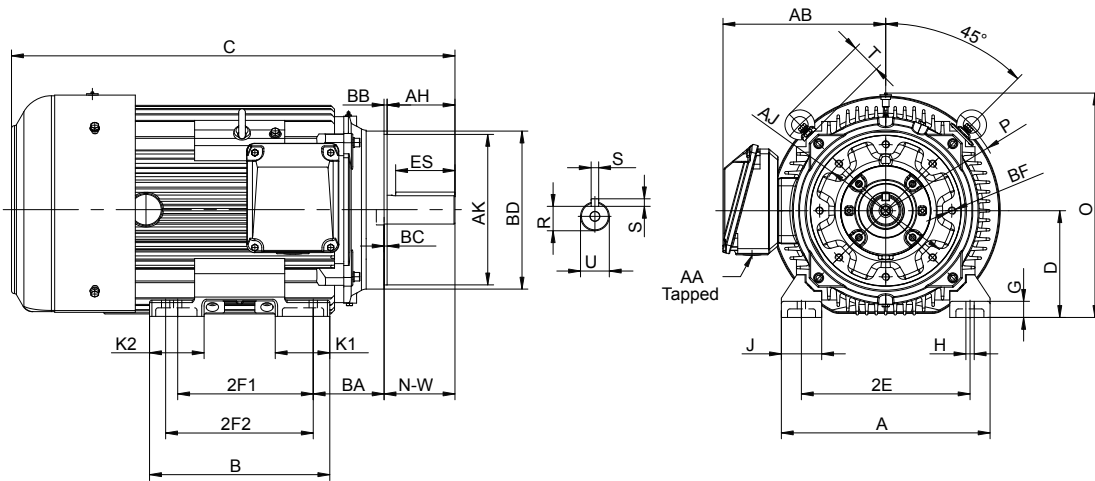
182TC-286TSC



Frame	# of Poles	Mounting Dimensions															Overall Dimensions											
		A	B	D	2E	2F	H	R	S	U	AH	AJ	AK	BA	BB	BD	ES	C	G	J	O	P	T	N-W	AA	AB	Tap	Bearings
182TC	2,4,6	9	8.31	4.5	7.5	4.5	0.41	0.986	0.25	1.125	2.62	7.25	8.5	2.75	0.25	8.9	1.94	17.7	0.6	2.13	9.09	9.53	1.77	2.75	1	7.9	1/2/13	6306 2Z
184TC	2,4,6	9	8.31	4.5	7.5	5.5	0.41	0.986	0.25	1.125	2.62	7.25	8.5	2.75	0.25	8.9	1.94	17.7	0.6	2.13	9.09	9.53	1.77	2.75	1	7.9	1/2/13	6306 2Z
213TC	2,4,6	10.24	8.7	5.25	8.5	5.5	0.41	1.201	0.312	1.375	3.13	7.25	8.5	3.5	0.25	8.9	2.55	22.25	0.67	2.2	10.96	11.61	2.08	3.38	1	8.92	1/2/13	6308/6 2Z
215TC	2,4,6	10.24	10.28	5.25	8.5	7	0.41	1.201	0.312	1.375	3.13	7.25	8.5	3.5	0.25	8.9	2.55	22.88	0.67	2.2	10.96	11.61	2.08	3.38	1	8.92	1/2/13	6308/6 2Z
254TC	2,4,6	12.28	9.92	6.25	10	8.25	0.55	1.416	0.375	1.625	3.75	7.25	8.5	4.25	0.25	10	3.11	25.83	0.58	2.36	13.18	14.17	2.08	4	1 1/4	10.08	1/2/13	6309 2Z
256TC	2,4,6	12.28	11.65	6.25	10	10	0.55	1.416	0.375	1.625	3.75	7.25	8.5	4.25	0.25	10	3.11	27.6	0.58	2.36	13.18	14.17	2.08	4	1 1/4	10.08	1/2/13	6309 2Z
284TC	4,6	13.78	13.11	7	11	9.5	0.55	1.591	0.5	1.875	4.38	9	10.5	4.75	0.25	11.25	3.53	31.16	0.89	2.75	14.01	14.17	2.08	4.62	1 1/2	10.34	1/2/13	6311 2Z
284TSC	2	13.78	13.11	7	11	9.5	0.55	1.416	0.375	1.625	3	9	10.5	4.75	0.25	11.25	2.1	27.2	0.89	2.75	14.01	14.17	2.08	3.25	1 1/2	10.34	1/2/13	6311 2Z
286TC	4,6	13.78	13.11	7	11	11	0.55	1.591	0.5	1.875	4.38	9	10.5	4.75	0.25	11.25	3.53	31.16	0.89	2.75	14.01	14.17	2.08	4.62	1 1/2	10.34	1/2/13	6311 2Z
286TSC	2	13.78	13.11	7	11	11	0.55	1.416	0.375	1.625	3	9	10.5	4.75	0.25	11.25	2.1	27.2	0.89	2.75	14.01	14.17	2.08	3.25	1 1/2	10.34	1/2/13	6311 2Z

The conduit box can be rotated in 90° increments so that conduit can be received from any direction. Conduit box can be located on either side of motor.

Performance Premium 20N Series – 324TSC-447TC C-Face Mounting Dimensions



Frame	# of Poles	Mounting Dimensions																	
		D	2E	2F1	2F2	G	H	Shaft End					C-Face						
								BA	ES	N-W	R	S	U	AH	AJ	AK	BB/BC	BF	
																		Size	#
324TSC	2	8	12.5	10.5	12	1.38	0.66	5.25	2.75	3.75	1.591	0.5	1.875	3.5	11.0	12.5	0.25	5/8/11	4
324TC	4,6	8	12.5	10.5	12	1.38	0.66	5.25	4.33	5.25	1.845	0.5	2.125	5.0	11.0	12.5	0.25	5/8/11	4
326TSC	2	8	12.5	10.5	12	1.38	0.66	5.25	2.75	3.75	1.591	0.5	1.875	3.5	11.0	12.5	0.25	5/8/11	4
326TC	4,6	8	12.5	10.5	12	1.38	0.66	5.25	4.33	5.25	1.845	0.5	2.125	5.0	11.0	12.5	0.25	5/8/11	4
364TSC	2	9	14	11.25	12.25	1.49	0.66	5.88	2.75	3.75	1.591	0.5	1.875	3.5	11.0	12.5	0.25	5/8/11	8
364TC	4,6	9	14	11.25	12.25	1.49	0.66	5.88	4.92	5.88	2.021	0.625	2.375	5.63	11.0	12.5	0.25	5/8/11	8
365TSC	2	9	14	11.25	12.25	1.49	0.66	5.88	2.75	3.75	1.591	0.5	1.875	3.5	11.0	12.5	0.25	5/8/11	8
365TC	4,6	9	14	11.25	12.25	1.49	0.66	5.88	4.92	5.88	2.021	0.625	2.375	5.63	11.0	12.5	0.25	5/8/11	8
404TC	6	10	16	12.25	13.75	1.57	0.81	6.62	6.3	7.25	2.45	0.75	2.875	7.0	11.0	12.5	0.25	5/8/11	8
405TSC	2	10	16	12.25	13.75	1.57	0.81	6.62	3.5	4.25	1.845	0.5	2.125	4.0	11.0	12.5	0.25	5/8/11	8
405TC	4,6	10	16	12.25	13.75	1.57	0.81	6.62	6.3	7.25	2.45	0.75	2.875	7.0	11.0	12.5	0.25	5/8/11	8
444TSC	2	11	18	14.5	16.5	1.57	0.81	7.5	4.3	4.75	2.021	0.625	2.375	4.5	14.0	16.0	0.25	5/8/11	8
444TC	4,6	11	18	14.5	16.5	1.57	0.81	7.5	7.9	8.5	2.88	0.875	3.375	8.25	14.0	16.0	0.25	5/8/11	8
445TSC	2	11	18	14.5	16.5	1.57	0.81	7.5	4.3	4.75	2.021	0.625	2.375	4.5	14.0	16.0	0.25	5/8/11	8
445TC	4,6	11	18	14.5	16.5	1.57	0.81	7.5	7.9	8.5	2.88	0.875	3.375	8.25	14.0	16.0	0.25	5/8/11	8
447TSC	2	11	18	20	-	1.654	0.81	7.5	4.3	4.75	2.021	0.625	2.375	4.5	14.0	16.0	0.25	5/8/11	8
447TC	4,6	11	18	20	-	1.654	0.81	7.5	7.9	8.5	2.88	0.875	3.375	8.25	14.0	16.0	0.25	5/8/11	8

Frame	# of Poles	Overall Dimensions											
		A	AA	AB	B	BD	C	J	K1	K2	O	P	T
324TSC	2	15.8	2	13	15	13.0	31.6	3.15	4.45	4.45	16.9	17.9	2.5
324TC	4,6	15.8	2	13	15	13.0	33.1	3.15	4.45	4.45	16.9	17.9	2.5
326TSC	2	15.8	2	13	15	13.0	31.6	3.15	4.45	4.45	16.9	17.9	2.5
326TC	4,6	15.8	2	13	15	13.0	33.1	3.15	4.45	4.45	16.9	17.9	2.5
364TSC	2	17.5	3	14.2	15	13.2	33.6	3.35	4.53	4.53	18.8	19.9	2.5
364TC	4,6	17.5	3	14.2	15	13.2	35.7	3.35	4.53	4.53	18.8	19.9	2.5
365TSC	2	17.5	3	14.2	15	13.2	33.6	3.35	4.53	4.53	18.8	19.9	2.5
365TC	4,6	17.5	3	14.2	15	13.2	35.7	3.35	4.53	4.53	18.8	19.9	2.5
404TC	6	18.9	3	15.5	17.6	13.2	40.4	3.55	5.32	5.32	20.8	21.3	2.95
405TSC	2	18.9	3	15.5	17.6	13.2	37.4	3.55	5.32	5.32	20.8	21.3	2.95
405TC	4,6	18.9	3	15.5	17.6	13.2	40.4	3.55	5.32	5.32	20.8	21.3	2.95
444TSC	2	21.7	2x3	17.6	20.5	16.6	42	4.15	5.12	6.5	23.4	24.4	3.75
444TC	4,6	21.7	2x3	17.6	20.5	16.6	45.7	4.15	5.12	6.5	23.4	24.4	3.75
445TSC	2	21.7	2x3	17.6	20.5	16.6	42	4.15	5.12	6.5	23.4	24.4	3.75
445TC	4,6	21.7	2x3	17.6	20.5	16.6	45.7	4.15	5.12	6.5	23.4	24.4	3.75
447TSC	2	22.1	2x3	19.5	24	16.6	46.3	4.18	6.8	6.8	23.4	24.4	3.75
447TC	4,6	22.1	2x3	19.5	24	16.6	50	4.18	6.8	6.8	23.4	24.4	3.75

The conduit box can be rotated in 90° increments so that conduit can be received from any direction.

All-Purpose Premium 31N Series – 1-125 HP
Performance Data

HP	RPM	Frame	CONN	Torque			FLA				LRA 230V	Efficiency			Power Factor			NEMA Design	SF	lbs
				FLT lb-ft	LRT %	BDT %	208V	230V	460V	575V		FL	75%	50%	FL	75%	50%			
1	1730	143T/TC	2Y/Y	3.0	290	310	3.1	2.8	1.4	1.1	21	86.5	86.5	82.5	78.0	71.5	58.5	B	1.25	52
	1140	145T/TC	2Y/Y	4.6	255	300	3.8	3.4	1.7	1.4	21	84.0	84.2	80.0	66.0	58.0	45.5	B	1.25	58
	865	182T/TC	2Y/Y	6.1	200	265	4.2	3.8	1.9	1.5	20	84.0	84.1	81.0	60.0	52.0	40.5	B	1.25	97
1.5	3470	143T/TC	2Y/Y	2.3	250	310	4.2	3.8	1.9	1.5	32	85.5	85.5	83.5	88.5	84.0	75.5	B	1.25	52
	1730	145T/TC	2Y/Y	4.5	300	320	4.6	4.2	2.1	1.7	32	87.5	87.7	86.0	78.5	72.0	60.0	B	1.25	58
	1165	182T/TC	2Y/Y	6.8	270	280	5.3	4.8	2.4	1.9	35	87.5	87.8	85.5	68.0	60.0	46.0	B	1.25	97
2	865	184T/TC	2Y/Y	9.1	200	300	6.2	5.6	2.8	2.3	31	84.0	84.2	82.0	60.5	51.5	41.0	B	1.25	109
	3475	145T/TC	2Y/Y	3.0	250	315	5.5	5.0	2.5	2.0	48	86.5	86.8	85.5	89.0	86.0	77.0	B	1.25	60
	1730	145T/TC	2Y/Y	6.1	300	340	6.2	5.6	2.8	2.3	43	87.5	87.7	85.5	78.0	71.0	60.0	B	1.25	58
3	1165	184T/TC	2Y/Y	9.0	250	310	6.4	5.8	2.9	2.3	46	88.5	88.7	86.5	73.0	65.5	53.0	B	1.25	109
	865	213T/TC	2Δ/Δ	12.1	240	300	6.9	6.2	3.1	2.5	42	85.5	85.5	82.0	71.0	63.0	50.0	B	1.25	156
	3505	182T/TC	2Y/Y	4.5	210	290	8.0	7.2	3.6	2.9	64	88.5	88.7	87.0	90.0	87.0	80.0	B	1.25	90
5	1745	182T/TC	2Y/Y	9.0	260	310	8.6	7.8	3.9	3.1	64	90.2	90.3	89.0	81.0	75.0	63.5	B	1.25	93
	1170	213T/TC	2Δ/Δ	13.5	240	300	9.5	8.6	4.3	3.5	60	89.5	89.7	87.0	75.0	66.5	53.0	B	1.25	156
	865	215T/TC	2Δ/Δ	18.2	220	300	10.2	9.2	4.6	3.7	58	85.5	85.5	83.0	72.5	64.0	51.5	B	1.25	195
7.5	3505	184T/TC	2Y/Y	7.5	210	300	12.8	11.6	5.8	4.7	92	90.2	90.5	89.0	90.5	88.0	81.0	B	1.25	106
	1745	184T/TC	2Y/Y	15.1	260	300	14.2	12.8	6.4	5.1	92	90.2	90.4	89.1	82.5	77.0	66.0	B	1.25	106
	1170	215T/TC	2Δ/Δ	22.5	240	300	15.3	13.8	6.9	5.5	92	89.5	89.8	87.5	78.0	71.0	60.0	B	1.25	192
10	875	254T/TC	2Δ/Δ	30.0	180	220	16.6	15.0	7.5	6.0	80	89.5	89.8	88.2	70.0	65.5	51.0	B	1.25	270
	3500	213T/TC	2Δ/Δ	11.3	200	270	19.9	18.0	9.0	7.2	127	90.2	90.5	89.5	88.0	85.5	79.0	B	1.25	162
	1750	213T/TC	2Δ/Δ	22.5	230	260	20.1	18.2	9.1	7.3	127	91.7	91.3	90.2	86.0	83.0	74.0	B	1.25	168
15	1170	254T/TC	2Δ/Δ	33.7	200	240	22.3	20.2	10.1	8.1	127	91.7	92.0	91.5	77.0	72.0	61.5	B	1.25	282
	875	256T/TC	2Δ/Δ	45.0	180	220	25.0	22.6	11.3	9.1	110	89.5	89.8	88.5	70.5	66.0	52.0	B	1.25	290
	3500	215T/TC	2Δ/Δ	15.0	220	270	25.4	23.0	11.5	9.2	162	91.7	91.9	90.5	89.0	87.0	83.5	B	1.25	185
20	1750	215T/TC	2Δ/Δ	30.0	225	255	26.3	23.8	11.9	9.5	162	91.7	91.9	90.5	87.0	84.0	75.0	B	1.25	192
	1170	256T/TC	2Δ/Δ	44.9	200	240	29.2	26.4	13.2	10.6	162	91.7	92.1	91.7	79.0	74.5	65.0	B	1.25	310
	880	284T/TC	2Δ/Δ	59.7	210	250	33.2	30.0	15.0	12.0	162	91.0	91.3	89.5	70.0	63.0	51.0	B	1.15	390
25	3510	254T/TC	2Δ/Δ	22.5	210	270	38.3	34.6	17.3	13.8	232	91.0	91.0	90.2	91.0	90.0	86.0	B	1.25	300
	1760	254T/TC	2Δ/Δ	44.8	210	230	40.9	37.0	18.5	14.8	232	92.4	92.7	92.5	83.0	80.0	72.5	B	1.25	300
	1170	284T/TC	2Δ/Δ	67.3	210	230	42.9	38.8	19.4	15.5	232	92.4	92.6	91.3	80.0	75.5	66.3	B	1.15	390
30	880	286T/TC	2Δ/Δ	89.6	200	230	46.9	42.4	21.2	17.0	232	91.7	92.0	91.0	73.0	66.0	54.0	B	1.15	475
	3510	256T/TC	2Δ/Δ	29.9	210	280	50.9	46.0	23.0	18.4	290	91.0	91.4	90.5	91.0	90.0	87.5	B	1.25	325
	1760	256T/TC	2Δ/Δ	59.7	220	235	54.2	49.0	24.5	19.6	290	93.0	93.4	91.5	83.5	79.5	71.5	B	1.25	330
40	1170	286T/TC	2Δ/Δ	89.8	210	225	56.4	51.0	25.5	20.4	290	92.4	92.8	91.5	81.0	78.0	70.0	B	1.15	475
	880	324T/TC	2Δ/Δ	119.4	210	230	62.6	56.6	28.3	22.7	290	91.7	91.9	91.0	73.0	66.5	55.0	B	1.15	580
	3520	284TS/TSC	2Δ/Δ	37.3	230	250	63.5	57.4	28.7	23.0	365	91.7	91.7	91.4	90.5	90.0	87.0	B	1.15	410
50	1765	284T/TC	2Δ/Δ	74.4	200	220	66.3	60.0	30.0	24.0	365	93.6	93.8	93.2	84.0	81.0	73.0	B	1.15	410
	1175	324T/TC	2Δ/Δ	111.8	210	250	66.8	60.4	30.2	24.2	365	93.0	93.1	92.2	85.0	81.0	71.0	B	1.15	550
	880	326T/TC	2Δ/Δ	149.4	220	250	78.5	71.0	35.5	28.4	365	91.7	92.1	91.0	73.0	67.0	55.0	B	1.15	616
60	3525	286TS/TSC	2Δ/Δ	44.7	235	260	75.4	68.2	34.1	27.3	435	92.4	92.7	91.7	91.0	90.0	87.0	B	1.15	450
	1765	286T/TC	2Δ/Δ	89.3	200	230	79.6	72.0	36.0	28.8	435	93.6	93.9	92.5	84.0	81.5	75.0	B	1.15	475
	1175	326T/TC	2Δ/Δ	134.1	215	255	79.6	72.0	36.0	28.8	435	93.0	93.3	92.5	85.5	81.5	72.0	B	1.15	616
75	880	364T/TC	2Δ/Δ	179.2	210	240	92.0	83.2	41.6	33.3	435	92.4	92.6	915.0	74.0	69.0	58.0	B	1.15	850
	3530	324TS/TSC	2Δ/Δ	59.5	180	240	103.3	93.4	46.7	37.4	580	93.0	93.3	92.4	88.0	87.0	83.0	B	1.15	630
	1770	324T/TC	2Δ/Δ	118.7	200	215	104.8	94.8	47.4	38.0	580	95.0	95.3	94.4	84.5	82.0	76.0	B	1.15	600
100	1180	364T/TC	2Δ/Δ	178.1	200	220	106.2	96.0	48.0	38.4	580	94.5	94.7	93.7	84.0	82.0	75.0	B	1.15	850
	880	365T/TC	2Δ/Δ	239.0	210	225	119.4	108	54.0	43.2	580	92.4	92.7	91.7	76.0	72.5	62.5	B	1.15	960
	3550	326TS/TSC	2Δ/Δ	74.4	180	240	126.1	114.0	57.0	45.6	725	93.6	93.8	92.5	88.5	87.0	83.0	B	1.15	650
125	1770	326T/TC	2Δ/Δ	148.4	200	220	130.5	118.0	59.0	47.2	725	95.0	95.3	94.5	84.5	82.5	75.0	B	1.15	716
	1180	365T/TC	2Δ/Δ	222.6	200	230	132.7	120.0	60.0	48.0	725	94.5	94.8	94.3	84.0	83.0	75.5	B	1.15	960
	880	404T/TC	2Δ/Δ	298.7	200	230	148.2	134	67.0	53.6	725	93.0	93.4	92.5	76.0	70.0	60.0	B	1.15	1402
60	1770	364T/TC	2Δ/Δ	178	200	240	158.1	143	71.5	57.2	870	95.0	95.2	94.3	84.0	81.0	78.0	B	1.15	850
75	1770	365T/TC	2Δ/Δ	222.6	200	240	199	180	90	72	1085	95.4	95.3	94.5	84.0	81.4	75.5	B	1.15	935
100	1775	405T/TC	2Δ/Δ	295.9	200	250	265.4	240	120	96	1450	95.4	95.3	93.5	83.0	78.0	67.0	B	1.15	1488
125	3550	444TS/TSC	2Δ/Δ	184.9	160	220	320.7	290	145	116	1815	95.0	94.7	93.5	86.5	84.5	77.0	B	1.15	1852

All-Purpose Premium 31N Series – 143T-286TS Footed Mounting Dimensions

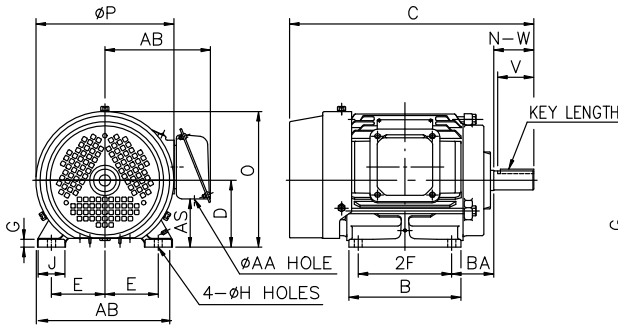


FIG. 1

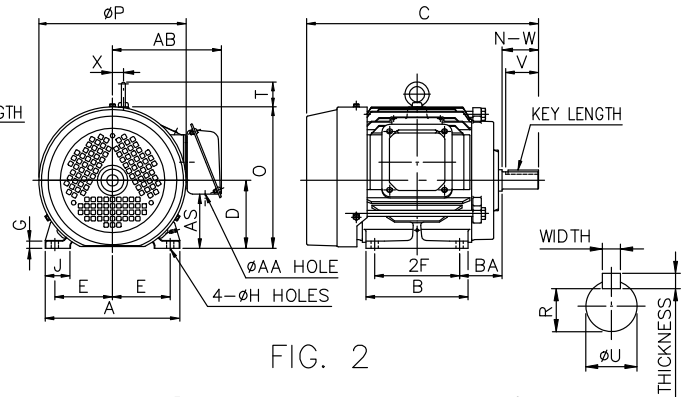


FIG. 2

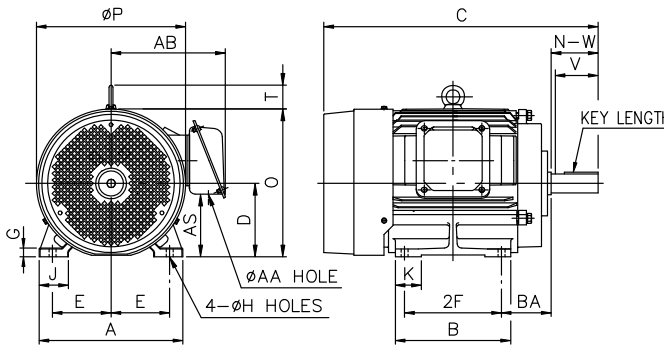


FIG. 3

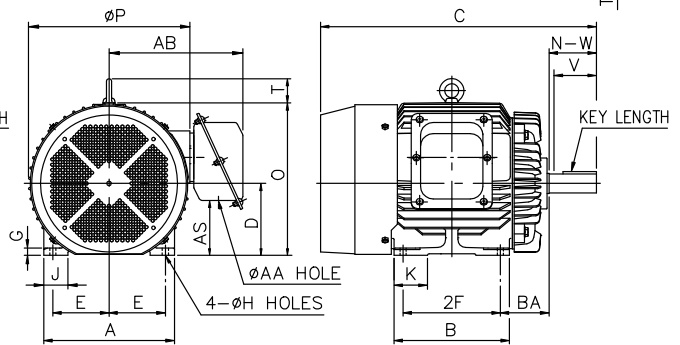


FIG. 4

Frame	Fig No	Mounting			BA	A	B	C	D	G	J	K	X	P	O+T	Key			Key Seat R	Conduit Box			Shaft Extension			Bearings	
		E	2F	ØH												W	T	L		ØAA	AB	AS	N-W	ØU	V	DE	ODE
143T	1	2.75	4.00	0.34	2.25	6.93	4.88	12.25	3.50	0.35	1.57	-	-	8.15	7.57	0.188	0.188	1.375	0.771	1.10	7.00	2.63	2.25	0.875	2.20	6205ZZ	6205ZZ
145T		2.75	5.00	0.34	2.25	6.93	5.87	13.24	3.50	0.35	1.57	-	-	8.15	7.57	0.188	0.188	1.375	0.771	1.10	7.00	2.63	2.25	0.875	2.20	6205ZZ	6205ZZ
182T	2	3.75	4.50	0.41	2.75	8.66	5.59	14.43	4.50	0.56	1.57	-	0.71	9.55	10.90	0.250	0.250	1.750	0.986	1.10	7.87	3.74	2.75	1.125	2.70	6207ZZ	6206ZZ
184T		3.75	5.50	0.41	2.75	8.66	6.61	15.42	4.50	0.56	1.57	-	0.71	9.55	10.90	0.250	0.250	1.750	0.986	1.10	7.87	3.74	2.75	1.125	2.70	6207ZZ	6206ZZ
213T	3	4.25	5.50	0.41	3.50	10.23	6.89	17.94	5.25	0.65	1.97	-	-	11.20	12.49	0.312	0.312	2.375	1.201	1.38	8.60	4.40	3.38	1.375	3.30	6308ZZ	6208ZZ
215T		4.25	7.00	0.41	3.50	10.23	8.39	19.43	5.25	0.65	1.97	-	-	11.20	12.49	0.312	0.312	2.375	1.201	1.38	8.60	4.40	3.38	1.375	3.30	6308ZZ	6208ZZ
254T		5.00	8.25	0.53	4.25	12.12	9.84	23.40	6.25	0.71	2.36	-	-	12.80	14.60	0.375	0.375	2.910	1.416	2.05	10.43	5.20	4.00	1.625	3.90	6310ZZ	6208ZZ
256T	4	5.00	10.00	0.53	4.25	12.12	11.60	25.10	6.25	0.71	2.36	-	-	12.80	14.60	0.375	0.375	2.910	1.416	2.05	10.43	5.20	4.00	1.625	3.90	6310ZZ	6208ZZ
284T		5.50	9.50	0.53	4.75	12.76	11.26	26.90	7.00	0.79	2.36	3.25	-	15.75	17.30	0.500	0.500	3.280	1.591	2.48	13.40	4.05	4.62	1.875	4.50	6310ZZ	6210ZZ
284TS		5.50	9.50	0.53	4.75	12.76	11.26	25.53	7.00	0.79	2.36	3.25	-	15.75	17.30	0.375	0.375	1.910	1.416	2.48	13.40	4.05	3.25	1.625	3.20	6310ZZ	6210ZZ
286T		5.50	11.00	0.53	4.75	12.76	12.76	28.40	7.00	0.79	2.36	3.25	-	15.75	17.30	0.500	0.500	3.280	1.591	2.48	13.40	4.05	4.62	1.875	4.50	6310ZZ	6210ZZ
286TS	5.50	11.00	0.53	4.75	12.76	12.76	27.03	7.00	0.79	2.36	3.25	-	15.75	17.30	0.375	0.375	1.910	1.416	2.48	13.40	4.05	3.25	1.625	3.20	6310ZZ	6210ZZ	

Tolerance on dimension D: +0.00 inch, -0.06 inch

Tolerance on dimension U: +0.000 inch, -0.0005 inch for frames 143T-215T; +0.000 inch, -0.001 inch for frames 254T-365T

Tolerance on dimension R: +0.000 inch, -0.015 inch.

Dimension V is length of straight part shaft.

All 2-pole motors are used for direct coupling only. For belt drive applications, please contact Elektrim Motors Engineering. In all frames, ball bearings for direct coupling applications.

The conduit box can be rotated in 90° increments so that conduit can be received from any direction. Conduit box can be located on either side of motor.

All-Purpose Premium 31N Series – 324T-365TS Footed Mounting Dimensions

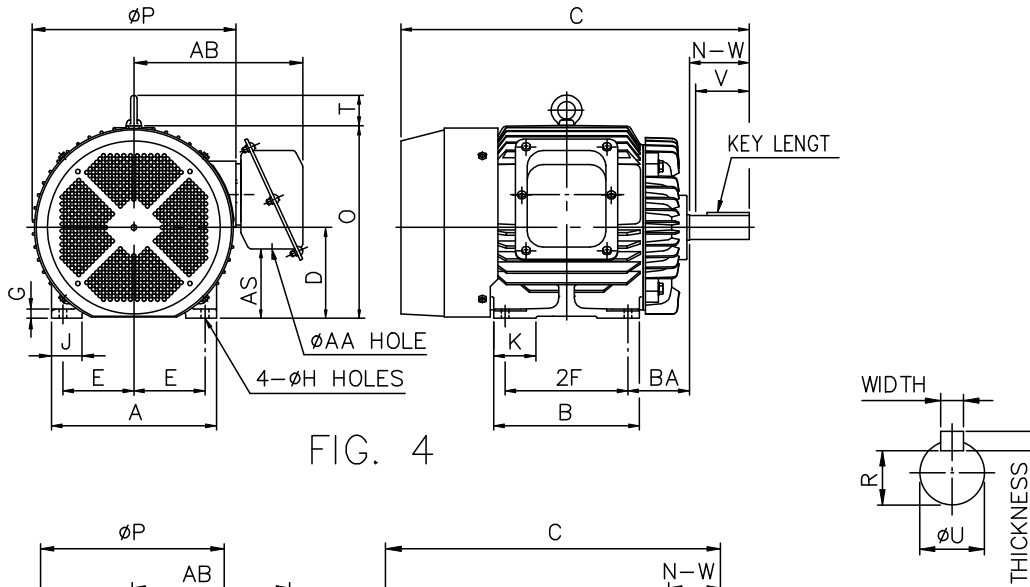


FIG. 4

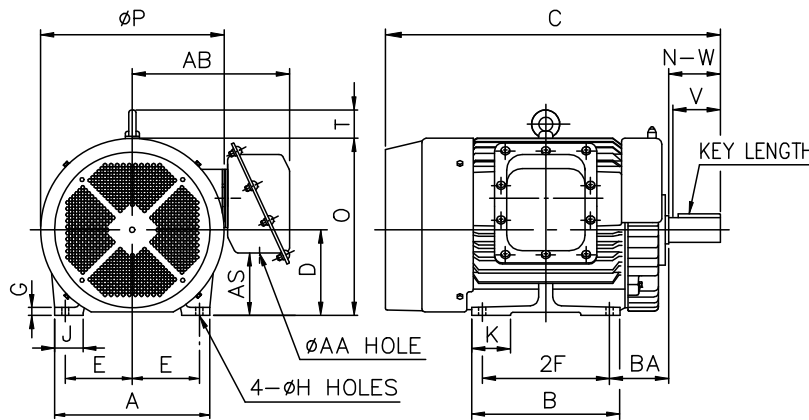


FIG. 5

Frame	Fig No	Mounting														Key			Conduit Box			Shaft Extension			Bearings		
		E	2F	ØH	BA	A	B	C	D	G	J	K	X	P	O+T	W	T	L	Key Seat R	ØAA	AB	AS	N-W	ØU	V	DE	ODE
324T	4	6.25	10.50	0.66	5.25	14.88	12.68	29.82	8.00	0.91	3.15	3.15	-	17.75	19.13	0.500	0.500	3.910	1.845	2.48	14.40	5.44	5.25	2.125	5.00	6312	6212
324TS		6.25	10.50	0.66	5.25	14.88	12.68	28.32	8.00	0.91	3.15	3.15	-	17.75	19.13	0.500	0.500	2.030	1.591	2.48	14.40	5.44	3.75	1.875	3.50	6312C3	6212C3
326T		6.25	12.00	0.66	5.25	14.88	14.17	31.32	8.00	0.91	3.15	3.15	-	17.75	19.13	0.500	0.500	3.910	1.845	2.48	14.40	5.44	5.25	2.125	5.00	6312	6212
326TS		6.25	12.00	0.66	5.25	14.88	14.17	29.82	8.00	0.91	3.15	3.15	-	17.75	19.13	0.500	0.500	2.030	1.591	2.48	14.40	5.44	3.75	1.875	3.50	6312C3	6212C3
364T	5	7.00	11.25	0.66	5.88	16.40	14.40	32.54	9.00	0.98	3.15	4.73	-	19.10	21.30	0.625	0.625	4.280	2.021	3.58	16.50	5.85	5.88	2.375	5.75	6215	6312
364TS		7.00	11.25	0.66	5.88	16.40	14.40	30.41	9.00	0.98	3.15	4.73	-	19.10	21.30	0.500	0.500	2.030	1.591	3.58	16.50	5.85	3.75	1.875	3.50	6312C3	6312C3
365T		7.00	12.25	0.66	5.88	16.40	15.40	33.52	9.00	0.98	3.15	4.73	-	19.10	21.30	0.625	0.625	4.280	2.021	3.58	16.50	5.85	5.88	2.375	5.75	6215	6312
365TS		7.00	12.25	0.66	5.88	16.40	15.40	31.39	9.00	0.98	3.15	4.73	-	19.10	21.30	0.500	0.500	2.030	1.591	3.58	16.50	5.85	3.75	1.875	3.50	6312C3	6312C3
405T		8.00	13.75	0.81	6.62	19.13	17.68	40.60	10.0	1.34	3.94	5.91	-	23.60	24.5	0.750	0.750	5.650	2.450	4.65	20.87	-	8.75	3.375	8.25	6218	6313
405TS		8.00	13.75	0.81	6.62	19.13	17.68	37.60	10.0	1.34	3.94	5.91	-	23.60	24.5	0.500	0.500	2.780	1.845	4.65	20.87	-	4.75	2.375	4.50	6313	6313
444T		9.00	14.50	0.81	7.50	22.05	17.32	46.10	11.0	1.18	4.33	4.72	-	25.83	26.54	0.875	0.875	6.910	2.880	4.65	22.24	-	8.50	3.375	8.25	6220	6315
444TS		9.00	14.50	0.81	7.50	22.05	17.32	42.35	11.0	1.18	4.33	4.72	-	25.83	26.54	0.625	0.625	3.030	2.021	4.65	22.24	-	4.75	2.375	4.5	6313	6313

Tolerance on dimension D: +0.00 inch, -0.06 inch

Tolerance on dimension U: +0.000 inch, -0.0005 inch for frames 143T-215T; +0.000 inch, -0.001 inch for frames 254T-365T

Tolerance on dimension R: +0.000 inch, -0.015 inch.

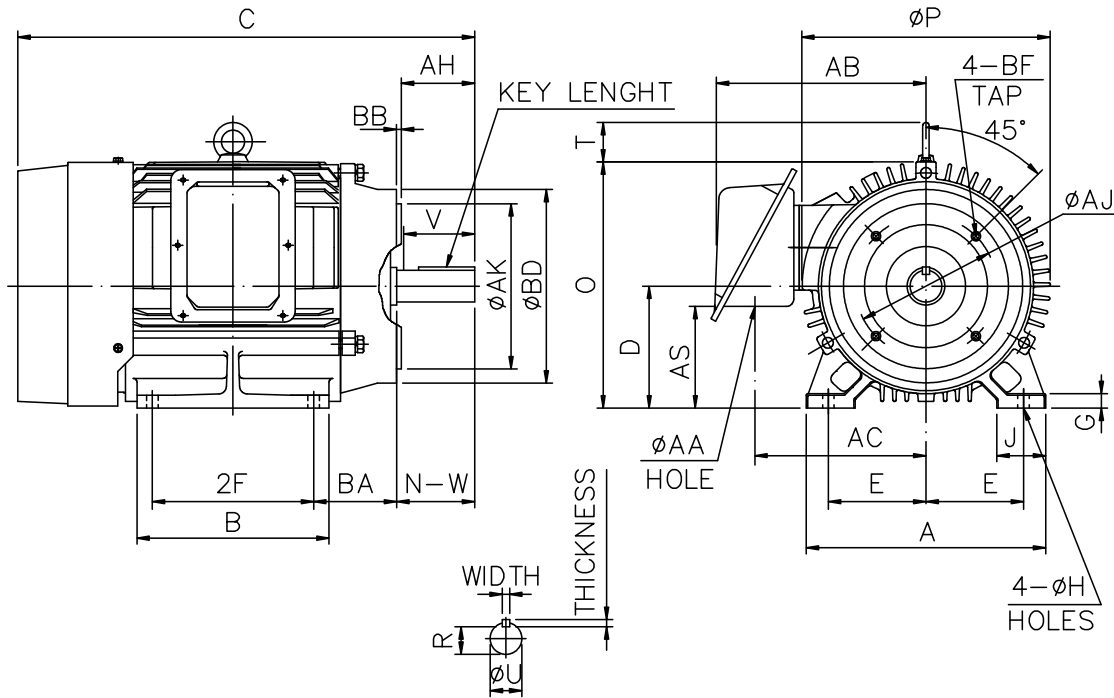
Dimension V is length of straight part shaft.

All 2-pole motors are used for direct coupling only. For belt drive applications, please contact Elektrim Motors Engineering.

In all frames, ball bearings for direct coupling applications.

The conduit box can be rotated in 90° increments so that conduit can be received from any direction. Conduit box can be located on either side of motor.

All-Purpose Premium 31N Series – 143TC-365TC C-Face Mounting Dimensions



Frame	Flange					BF Hole		U	AH	Key Seat		
	AJ	AK	BD	BB	BA	NO	SIZE			R	Length	Width
143TC	5.875	4.5	6.5	0.16	2.25	4	3/8-16	0.875	2.12	0.771	1.375	0.188
145TC	5.875	4.5	6.5	0.16	2.25	4	3/8-16	0.875	2.12	0.771	1.375	0.188
182TC	7.25	8.5	9	0.25	2.75	4	1/2-13	1.125	2.62	0.986	1.75	0.25
184TC	7.25	8.5	9	0.25	2.75	4	1/2-13	1.125	2.62	0.986	1.75	0.25
213TC	7.25	8.5	9	0.25	3.5	4	1/2-13	1.375	3.12	1.201	2.375	0.312
215TC	7.25	8.5	9	0.25	3.5	4	1/2-13	1.375	3.12	1.201	2.375	0.312
254TC	7.25	8.5	10	0.25	4.25	4	1/2-13	1.625	3.75	1.416	2.91	0.375
256TC	7.25	8.5	10	0.25	4.25	4	1/2-13	1.625	3.75	1.416	2.91	0.375
284TC	9	10.5	11.25	0.25	4.75	4	1/2-13	1.875	4.38	1.591	3.28	0.5
284TSC	9	10.5	11.25	0.25	4.75	4	1/2-13	1.625	3	1.416	1.91	0.375
286TC	9	10.5	11.25	0.25	4.75	4	1/2-13	1.875	4.38	1.591	3.28	0.5
286TSC	9	10.5	11.25	0.25	4.75	4	1/2-13	1.625	3	1.416	1.91	0.375
324TC	11	12.5	14	0.25	5.25	4	5/8-11	2.125	5	1.845	3.91	0.5
324TSC	11	12.5	14	0.25	5.25	4	5/8-11	1.875	3.5	1.591	2.03	0.5
326TC	11	12.5	14	0.25	5.25	4	5/8-11	2.125	5	1.845	3.91	0.5
326TSC	11	12.5	14	0.25	5.25	4	5/8-11	1.875	3.5	1.591	2.03	0.5
364TC	11	12.5	14	0.25	5.88	8	5/8-11	2.375	5.62	2.021	4.28	0.625
364TSC	11	12.5	14	0.25	5.88	8	5/8-11	1.875	3.5	1.591	2.03	0.5
365TC	11	12.5	14	0.25	5.88	8	5/8-11	2.375	5.62	2.021	4.28	0.625
365TSC	11	12.5	14	0.25	5.88	8	5/8-11	1.875	3.5	1.591	2.03	0.5
405TC	11	12.5	15.5	0.25	6.62	8	5/8-11	3.375	8.25	2.45	5.65	0.75
405TSC	11	12.5	15.5	0.25	6.62	8	5/8-11	2.375	4.5	1.845	2.78	0.50
444TC	14	16.0	16.93	0.25	7.50	8	5/8-11	3.375	8.25	2.88	6.91	0.875
444TSC	14	16.0	16.93	0.25	7.50	8	5/8-11	2.375	4.5	2.021	3.03	0.625

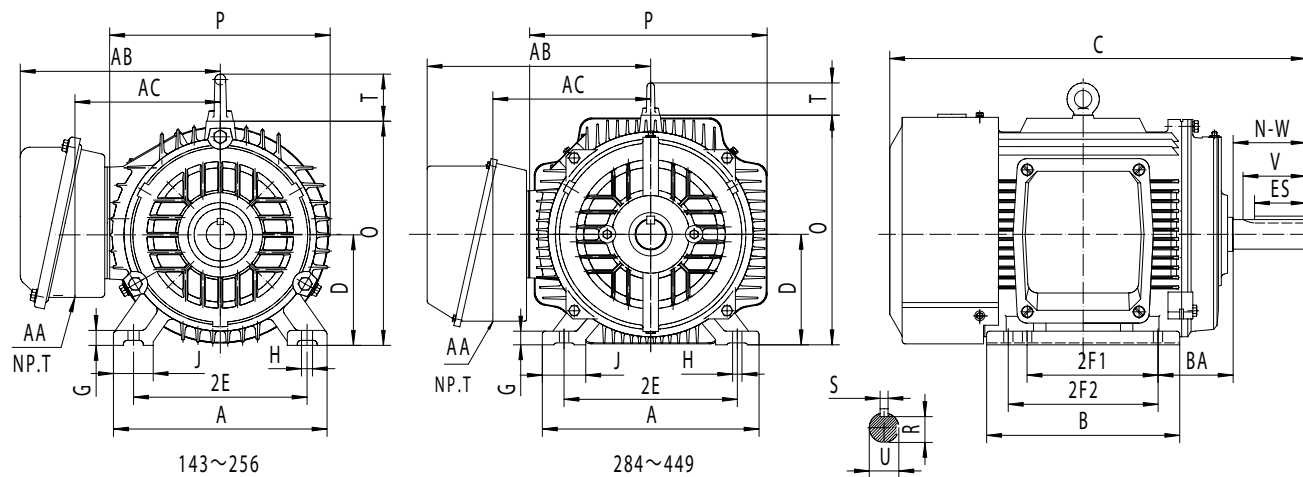
Tolerance of shaft end diameter dimension U: +0.000 inch, -0.001 inch
 Tolerance of shaft center height dimension D: +0.000 inch, -0.03 inch
 Tolerance on dimension R: +0.000 inch, -0.015 inch.
 Tolerance on dimension AK: +0.000 inch, -0.003 inch.
 Dimension V is length of straight part shaft.

The conduit box can be rotated in 90° increments so that conduit can be received from any direction. Conduit box can be located on either side of motor.

All-Purpose Premium 32N Series – 1-250 HP
Performance Data

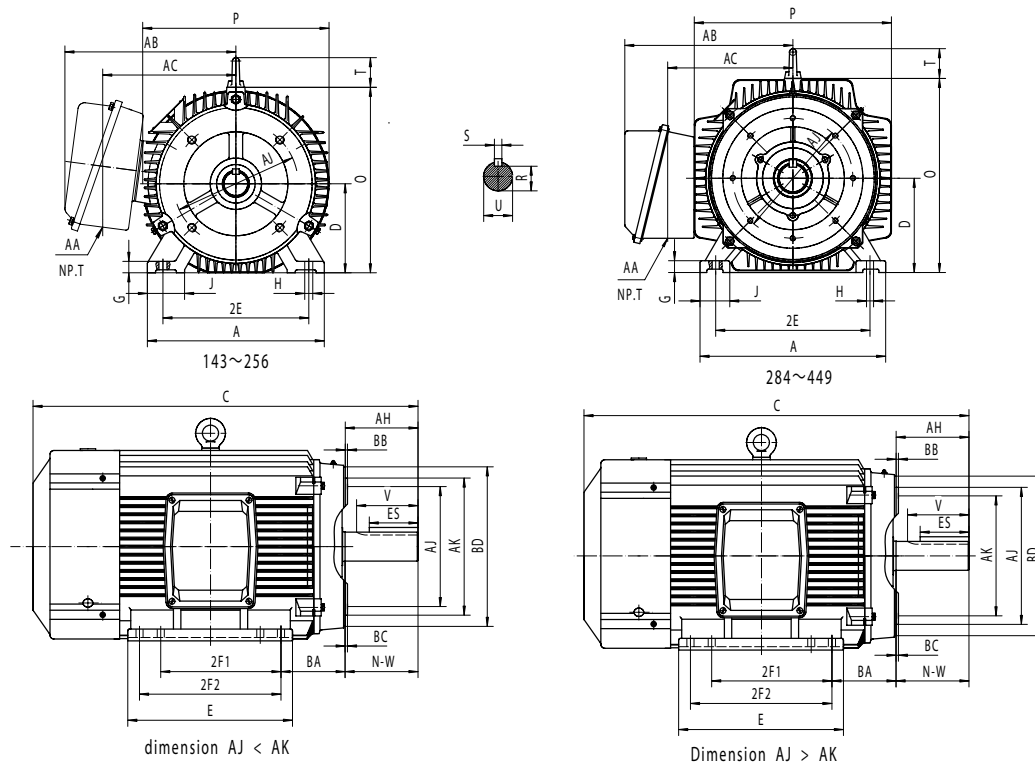
HP	RPM	Frame	CONN	Torque			IDLE	FLA			LRA		Efficiency			Power Factor			NEMA Design	Code	SF	lbs
				FLT lb-ft	LRT %	BDT %	460V	460V	575V	460V	575V	FL	75%	50%	FL	75%	50%					
1	3490	143T/TC	2Y/Y	1.51	250	305	0.9	2.0	1.6	11	8.8	84.0	76.34	75.03	84	76.83	64.75	B	K	1.20	55	
	1755	143T/TC	2Y/Y	3.02	275	300	1.0	1.4	1.1	11	8.8	85.5	84.98	83.55	78	70.61	58.10	B	K	1.20	52	
	1150	145T/TC	2Y/Y	4.60	200	265	1.0	1.7	1.4	8	6.4	82.5	82.12	81.04	68	67.49	54.41	B	H	1.20	55	
1.5	3495	143T/TC	2Y/Y	2.26	250	305	1.0	2.0	1.6	16	12.8	84.0	85.16	84.86	84	84.65	75.38	B	K	1.20	55	
	1750	145T/TC	2Y/Y	4.52	265	280	1.5	2.1	1.7	15	12.0	86.5	86.28	85.35	78	72.75	60.94	B	J	1.20	61	
	1180	182T/TC	2Y/Y	6.69	185	285	1.8	2.1	1.7	14	11.2	87.5	87.15	85.51	75	68.11	54.30	B	H	1.20	88	
2	3485	145T/TC	2Y/Y	3.01	225	265	0.9	2.6	2.1	19	15.2	85.5	86.05	86.26	85	88.27	81.66	B	J	1.20	63	
	1740	145T/TC	2Y/Y	6.04	260	280	1.5	2.8	2.2	19	15.2	86.5	86.77	86.20	78	75.35	64.16	B	J	1.20	63	
	1180	184T/TC	2Y/Y	8.90	195	280	1.7	2.8	2.2	18	14.4	88.5	88.13	86.56	75	68.82	54.73	B	J	1.20	94	
3	3540	182T/TC	2Y/Y	4.46	180	355	1.7	3.7	3.0	30	24.0	86.5	87.30	86.53	87	85.07	76.32	B	J	1.20	90	
	1765	182T/TC	2Y/Y	8.94	215	310	1.8	3.6	2.9	29	23.2	89.5	89.23	88.35	86	81.22	71.15	B	J	1.20	94	
	1180	213T/TC	2Y/Y	13.38	170	270	2.4	4.2	3.4	29	23.2	89.5	89.59	88.50	75	73.06	61.11	B	J	1.20	144	
5	3530	184T/TC	2Y/Y	7.45	170	300	2.4	6.0	4.8	44	35.2	88.5	89.01	88.70	88	87.89	81.03	B	H	1.20	99	
	1755	184T/TC	2Y/Y	14.98	200	250	3.3	6.1	4.9	42	33.6	89.5	89.22	88.69	86	82.18	72.80	B	H	1.20	101	
	1180	215T/TC	2Y/Y	22.28	170	230	3.5	6.9	5.5	46	36.8	89.5	90.03	89.51	76	77.05	66.40	B	J	1.20	155	
7.5	3535	213T/TC	2Δ/Δ	11.16	190	295	2.7	8.9	7.1	59	47.2	89.5	89.95	89.49	88	89.30	83.60	B	H	1.20	155	
	1770	213T/TC	2Δ/Δ	22.30	190	260	3.7	9.0	7.2	56	44.8	91.7	91.52	91.06	85	82.64	73.65	B	G	1.20	162	
	1185	254T/TC	2Δ/Δ	33.07	215	220	4.6	10.3	8.2	59	47.2	91.0	91.11	90.35	75	74.00	63.20	B	G	1.20	260	
10	3530	215T/TC	2Δ/Δ	14.89	200	275	3.1	11.8	9.4	78	62.4	90.2	90.81	90.51	88	90.70	86.00	B	G	1.20	175	
	1765	215T/TC	2Δ/Δ	29.79	180	230	4.5	12.0	9.6	69	55.2	91.7	91.76	91.58	85	84.48	76.84	B	F	1.20	184	
	1185	256T/TC	2Δ/Δ	44.37	225	210	5.7	13.7	11.0	79	63.2	91.0	91.47	90.85	75	74.80	64.30	B	G	1.20	302	
15	3560	254T/TC	2Δ/Δ	22.15	185	275	4.6	17.3	13.8	113	90.4	91.0	91.19	90.85	89	91.87	88.10	B	G	1.20	264	
	1775	254T/TC	2Δ/Δ	44.43	205	260	5.2	17.9	14.3	111	88.8	92.4	92.25	91.79	85	87.11	80.54	B	G	1.20	288	
	1185	284T/TC	2Δ/Δ	66.55	210	235	7.4	18.9	15.1	108	86.4	91.7	91.63	91.07	81	79.62	69.97	B	G	1.20	392	
20	3555	256T/TC	2Δ/Δ	29.58	180	250	5.2	23.1	18.5	140	112.0	91.0	91.31	91.16	89	92.48	89.54	B	F	1.20	295	
	1775	256T/TC	2Δ/Δ	59.24	210	250	7.0	23.7	19.0	144	115.2	93.0	92.59	92.23	85	87.79	81.76	B	G	1.20	341	
	1185	286T/TC	2Δ/Δ	88.74	215	230	9.1	25.2	20.2	143	114.4	91.7	91.74	91.37	81	80.69	71.97	B	G	1.20	454	
25	3565	284T/TSC	2Δ/Δ	36.87	165	225	4.8	28.4	22.7	168	134.4	91.7	92.00	91.84	90	93.20	91.30	B	F	1.20	414	
	1775	284T/TC	2Δ/Δ	74.05	185	245	7.5	28.7	23.0	167	133.6	93.6	93.16	92.77	87	88.30	82.90	B	F	1.20	432	
	1185	324T/TC	2Δ/Δ	110.92	205	210	11.4	30.7	24.6	169	135.2	93.0	92.97	92.45	82	80.62	71.93	B	F	1.20	549	
30	3560	286T/TSC	2Δ/Δ	44.31	170	220	5.7	34.0	27.2	201	160.8	91.7	92.27	92.17	90	93.10	91.30	B	F	1.20	441	
	1775	286T/TC	2Δ/Δ	88.86	180	230	8.8	34.5	27.6	194	155.2	93.6	93.38	93.06	87	89.00	84.30	B	F	1.20	474	
	1185	326T/TC	2Δ/Δ	133.11	195	200	12.3	36.8	29.4	188	150.4	93.0	93.10	92.76	82	81.37	73.53	B	E	1.20	597	
40	3570	324T/TSC	2Δ/Δ	58.91	155	265	10.8	45.0	36.0	244	195.2	92.4	92.06	91.63	90	90.89	86.93	B	E	1.20	544	
	1780	324T/TC	2Δ/Δ	118.15	170	250	13.7	45.2	36.2	271	216.8	94.1	93.66	93.30	88	85.96	79.26	B	F	1.20	590	
	1190	364T/TC	2Δ/Δ	176.73	195	210	15.1	46.3	37.0	285	228.0	94.1	94.07	93.57	86	83.51	76.37	B	G	1.20	787	
50	3570	326T/TSC	2Δ/Δ	73.64	155	255	11.3	55.9	44.7	299	239.2	93.0	92.75	92.36	90	91.40	87.92	B	E	1.20	619	
	1780	326T/TC	2Δ/Δ	147.69	175	250	16.4	56.3	45.0	340	272.0	94.5	94.04	93.68	88	87.17	81.09	B	F	1.20	683	
	1190	365T/TC	2Δ/Δ	220.91	190	200	18.2	57.9	46.3	341	272.8	94.1	94.24	93.83	86	84.26	77.84	B	F	1.20	864	
60	3575	364T/TSC	2Δ/Δ	88.24	165	255	12.5	66.7	53.4	403	322.4	93.6	93.36	93.02	90	93.36	91.09	B	F	1.20	793	
	1785	364T/TC	2Δ/Δ	176.73	160	250	19.3	68.0	54.4	412	329.6	95.0	94.14	93.77	87	87.17	81.18	B	F	1.20	842	
	1190	404T/TC	2Δ/Δ	265.10	160	220	21.6	69.1	55.3	406	324.8	94.5	94.43	94.09	86	84.95	78.00	B	F	1.20	992	
75	3575	365T/TSC	2Δ/Δ	110.32	165	240	14.6	83.4	66.7	479	383.2	93.6	93.83	93.59	90	93.22	91.10	B	F	1.20	859	
	1785	365T/TC	2Δ/Δ	220.95	165	250	24.3	84.6	67.7	521	416.8	95.4	94.47	94.10	87	87.67	81.88	B	F	1.20	941	
	1190	405T/TC	2Δ/Δ	331.43	170	225	25.8	86.4	69.1	531	424.8	94.5	94.69	94.32	86	85.15	78.46	B	G	1.20	1151	
100	3575	405T/TSC	2Δ/Δ	147.07	140	255	22.4	109.3	87.4	667	533.6	94.1	94.17	94.01	91	92.74	90.20	B	F	1.20	1120	
	1785	405T/TC	2Δ/Δ	294.55	155	250	33.0	112.8	90.2	674	539.2	95.4	94.81	94.39	87	86.20	79.69	B	F	1.20	1173	
	1190	444T/TC	2-Δ	441.83	165	235	36.5	114.6	91.7	691	552.8	95.0	94.77	94.28	86	83.25	75.54	B	F	1.20	1455	
125	3580	444T/TSC	2-Δ	183.58	165	230	24.1	135.4	108.3	810	648.0	95.0	95.01	94.00	91	92.01	89.01	B	F	1.20	1334	
	1790	444T/TC	2-Δ	367.16	165	240	32.9	139.4	111.5	828	662.4	95.4	95.03	94.67	88	89.50	85.07	B	F	1.20	1433	
	1190	445T/TC	2-Δ	552.28	165	225	40.4	143.3	114.6	852	681.6	95.0	95.02	94.57	86	84.28	77.29	B	F	1.20	1587	
150	3580	445T/TSC	2-Δ	220.30	165	225	35.8	162.5	130.0	980	784.0	95.0	95.05	93.80	91	92.08	89.38	B	F	1.20	1488	
	1790	445T/TC	2-Δ	440.59	165	235	36.4	166.6	133.3	982	785.6	95.8	95.28	94.94	88	90.34	86.60	B	F	1.20	1565	
	1190	447T/TC	2-Δ	662.74	170	230	42.5	170.5	136.4	1041	832.8	95.8	95.28	94.78	86	85.25	78.75	B	F	1.20	1885	
200	3580	447T/TSC	2-Δ	293.73	185	220	36.0	213.4	170.7	1284	1027.2	95.4	95.12	93.81	92	92.34	90.54	B	F	1.20	1686	
	1790	447T/TC	2-Δ	587.46	185	240	42.1	221.2	177.0	1325	1060.0	96.2	95.59	95.23	88	90.47	86.70	B	F	1.20	1907	
	1190	449T/TC	2-Δ	883.65	165	215	50.8	227.3	181.8	1376	1100.8	95.8	95.49	95.06	86	86.06	80.34	B	F	1.20	2182	
250	3580	449T/TSC	2-Δ	367.16	185	220	33.5	265.6	212.5	1550	1240.0	95.8	95.41	94.30	92	92.41	91.03	B	F	1.20	2048	
	1790	449T/TC	2-Δ	734.32	185	230	46.6	276.5	221.2	1667	1333.6	96.2	95.82	95.49	88	91.13	88.01	B	F	1.20	1872	

All-Purpose Premium 32N Series – 143T-449TS Footed Mounting Dimensions



Frame	Mounting					A	B	C	D	G	J	O	P	R	S	T	AB	AC	AA	Shaft Extension			Bearings	
	2E	2F1	2F2	H	BA															N-W	U	V	DE	ODE
143T	5.5	4.0	—	0.34	2.25	7.0	6.0	13.5	3.5	0.512	1.45	7.3	7.2	0.771	0.188	0	6.7	5	3/4	2.25	0.875	2.0	6205-2RS	6205-2RS
145T	5.5	4.0	5.0	0.34	2.25	7.0	6.8	14.5	3.5	0.512	1.45	7.3	7.2	0.771	0.188	0	6.7	5	3/4	2.25	0.875	2.0	6205-2RS	6205-2RS
182T	7.5	4.5	—	0.41	2.75	9	7.7	16.2	4.5	0.669	1.77	9.1	9.37	0.986	0.250	1.58	7.8	6.1	3/4	2.75	1.125	2.5	6206-2RS	6206-2RS
184T	7.5	4.5	5.5	0.41	2.75	9	8.7	17.1	4.5	0.669	1.77	9.1	9.37	0.986	0.250	1.58	7.8	6.1	3/4	2.75	1.125	2.5	6206-2RS	6206-2RS
213T	8.5	5.5	—	0.41	3.5	10.5	7.5	18	5.25	0.787	1.97	10.9	10.9	1.201	0.312	1.97	10	7.09	1	3.38	1.375	3.12	6208-2RS	6208-2RS
215T	8.5	5.5	7.0	0.41	3.5	10.5	9.0	20	5.25	0.787	1.97	10.9	10.9	1.201	0.312	1.97	10	7.09	1	3.38	1.375	3.12	6208-2RS	6208-2RS
254T	10	8.25	—	0.53	4.25	12.5	10.8	23.45	6.25	0.83	2.56	13	13.58	1.416	0.375	2.35	11	8.6	1-1/4	4.0	1.625	3.75	6309	6309
256T	10	8.25	10.0	0.53	4.25	12.5	12.5	25.2	6.25	0.83	2.56	13	13.58	1.416	0.375	2.35	11	8.6	1-1/4	4.0	1.625	3.75	6309	6309
284T	11	9.5	—	0.53	4.75	14.0	12.5	26.6	7	0.94	2.76	14.6	15.1	1.591	0.5	2.35	14.2	10	1-1/2	4.62	1.875	4.38	6311	6311
284TS	11	9.5	—	0.53	4.75	14.0	12.5	25.2	7	0.94	2.76	14.6	15.1	1.416	0.375	2.35	14.2	10	1-1/2	3.25	1.625	3	6311	6311
286T	11	9.5	11.0	0.53	4.75	14.0	14	28.1	7	0.94	2.76	14.6	15.1	1.591	0.5	2.35	14.2	10	1-1/2	4.62	1.875	4.38	6311	6311
286TS	11	9.5	11.0	0.53	4.75	14.0	14	26.7	7	0.94	2.76	14.6	15.1	1.416	0.375	2.35	14.2	10	1-1/2	3.25	1.625	3	6311	6311
324T	12.5	10.5	—	0.66	5.25	16.0	14.8	31.7	8	0.98	2.76	16.4	16.7	1.845	0.5	2.5	15	10.9	2	5.25	2.125	5	6312	6312
324TS	12.5	10.5	—	0.66	5.25	16.0	14.8	30.2	8	0.98	2.76	16.4	16.7	1.591	0.5	2.5	15	10.9	2	3.75	1.875	3.5	6312	6312
326T	12.5	10.5	12.0	0.66	5.25	16.0	16.3	33.3	8	0.98	2.76	16.4	16.7	1.845	0.5	2.5	15	10.9	2	5.25	2.125	5	6312	6312
326TS	12.5	10.5	12.0	0.66	5.25	16.0	16.3	31.7	8	0.98	2.76	16.4	16.7	1.591	0.5	2.5	15	10.9	2	3.75	1.875	3.5	6312	6312
364T	14	11.25	—	0.66	5.88	18.0	16.3	33.7	9	0.98	3.11	18.31	18.1	2.021	0.625	2.5	17.5	12.85	3	5.88	2.375	5.62	6314	6314
364TS	14	11.25	—	0.66	5.88	18.0	16.3	31.5	9	0.98	3.11	18.31	18.1	1.591	0.5	2.5	17.5	12.85	3	3.75	1.875	3.5	6314	6314
365T	14	11.25	12.25	0.66	5.88	18.0	18.0	37.1	9	0.98	3.11	18.31	18.1	2.021	0.625	2.5	17.5	12.85	3	5.88	2.375	5.62	6314	6314
365TS	14	11.25	12.25	0.66	5.88	18.0	18.0	34.65	9	0.98	3.11	18.31	18.1	1.591	0.5	2.5	17.5	12.85	3	3.75	1.875	3.5	6314	6314
404T	16	12.25	—	0.81	6.62	20	19	40	10	1.18	3.15	20.12	20.3	2.45	0.75	2.5	18.8	12.2	3	7.25	2.875	7	6316	6316
404TS	16	12.25	—	0.81	6.62	20	19	37	10	1.18	3.15	20.12	20.3	1.845	0.5	2.5	18.8	12.2	3	4.25	2.125	4	6316	6316
405T	16	12.25	13.75	0.81	6.62	20	19	40	10	1.18	3.15	20.12	20.3	2.45	0.75	2.5	18.8	12.2	3	7.25	2.875	7	6316	6316
405TS	16	12.25	13.75	0.81	6.62	20	19	37	10	1.18	3.15	20.12	20.3	1.845	0.5	2.5	18.8	12.2	3	4.25	2.125	4	6316	6316
444T	18	14.5	—	0.81	7.5	21.65	20	45.1	11	1.38	3.46	22.5	23.1	2.88	0.875	3.7	19.7	14.76	3	8.5	3.375	8.25	NU318	6318
444TS	18	16.5	—	0.81	7.5	21.65	20	41.4	11	1.38	3.46	22.5	23.1	2.021	0.625	3.7	19.7	14.76	3	4.75	2.375	4.5	6316	6316
445T	18	14.5	16.5	0.81	7.5	21.65	20	45.1	11	1.38	3.46	22.5	23.1	2.88	0.875	3.7	19.7	14.76	3	8.5	3.375	8.25	NU318	6318
445TS	18	14.5	16.5	0.81	7.5	22.0	20	41.4	11	1.38	3.46	22.5	23.1	2.021	0.625	3.7	19.7	14.76	3	4.75	2.375	4.5	6316	6316
447T	18	20	—	0.81	7.5	22.0	28	53.6	11	1.38	3.46	22.5	23.1	2.88	0.875	3.7	19.7	14.76	3	8.5	3.375	8.25	NU320	6320
447TS	18	20	—	0.81	7.5	22.0	28	50	11	1.38	3.46	22.5	23.1	2.021	0.625	3.7	19.7	14.76	3	4.75	2.375	4.5	6316	6316
449T	18	20	25	0.81	7.5	22.0	28	53.6	11	1.38	3.46	22.5	23.1	2.88	0.875	3.7	19.7	14.76	3	8.5	3.375	8.25	NU320	6320
449TS	18	20	25	0.81	7.5	22.0	28	50	11	1.38	3.46	22.5	23.1	2.021	0.625	3.7	19.7	14.76	3	4.75	2.375	4.5	6316	6316

All-Purpose Premium 32N Series – 143TC-449TSC C-Face Mounting Dimensions



Frame	AJ	AK	BA	Min BB	BC	Max BD	# of Holes	Screw	Depth of Hole	U	AH	R	ES	S
143TC - 145TC	5.875	4.500	2.75	0.16	0.12	6.50	4	3/8-16	0.56	0.875	2.12	0.771	1.41	0.188
182TC - 184TC	7.25	8.500	3.5	0.25	0.12	9	4	1/2-13	0.75	1.125	2.62	0.986	1.78	0.25
213TC - 215TC	7.25	8.500	3.5	0.25	0.25	9	4	1/2-13	0.75	1.375	3.12	1.201	2.41	0.312
254TC - 256TC	7.25	8.500	4.25	0.25	0.25	10	4	1/2-13	0.75	1.625	3.75	1.416	2.91	0.375
284TC - 286TC	9.000	10.500	4.75	0.25	0.25	11.25	4	1/2-13	0.75	1.875	4.38	1.591	3.28	0.5
284TSC - 286TSC	9.000	10.500	4.75	0.25	0.25	11.25	4	1/2-13	0.75	1.625	3.00	1.416	1.91	0.375
324TC - 326TC	11.000	12.500	5.25	0.25	0.25	14.00	4	5/8-11	0.94	2.125	5.00	1.845	3.91	0.5
324TSC - 326TSC	11.000	12.500	5.25	0.25	0.25	14.00	4	5/8-11	0.94	1.875	3.50	1.591	2.03	0.5
364TC - 365TC	11.000	12.500	5.88	0.25	0.25	14.00	8	5/8-11	0.94	2.375	5.62	2.021	4.28	0.625
364TSC - 365TSC	11.000	12.500	5.88	0.25	0.25	14.00	8	5/8-11	0.94	1.875	3.50	1.591	2.03	0.5
404TC - 405TC	11.000	12.500	6.62	0.25	0.25	15.50	8	5/8-11	0.94	2.875	7.00	2.45	5.65	0.75
404TSC - 405TSC	11.000	12.500	6.62	0.25	0.25	15.50	8	5/8-11	0.94	2.125	4.00	1.845	2.78	0.5
444TC - 445TC	14.000	16.000	7.5	0.25	0.25	18.00	8	5/8-11	0.94	3.375	8.25	2.88	6.91	0.875
444TSC - 445TSC	14.000	16.000	7.5	0.25	0.25	18.00	8	5/8-11	0.94	2.375	4.50	2.021	3.03	0.625
447TC - 449TC	14.000	16.000	7.5	0.25	0.25	18.00	8	5/8-11	0.94	3.375	8.25	2.88	6.91	0.875
447TSC - 449TSC	14.000	16.000	7.5	0.25	0.25	18.00	8	5/8-11	0.94	2.375	4.50	2.021	3.03	0.625

Tolerance on dimension D: +0.00inch, -1/32 inch for frame 143TC/TSC-326TC/TSC; +0.00 inch -1/16 inch for frames 364TC/TSC-449TC/TSC.

Tolerance on shaft diameter U: +0.0000 inch, -0.0005 inch for frames 143TC/TSC-215TC/TSC; +0.000 inch, 0.001 inch for frame 254TC/TSC-449TC/TSC.

Tolerance on dimension R: +0.000 inch, -0.015 inch.

Dimension V is length of straight part shaft.

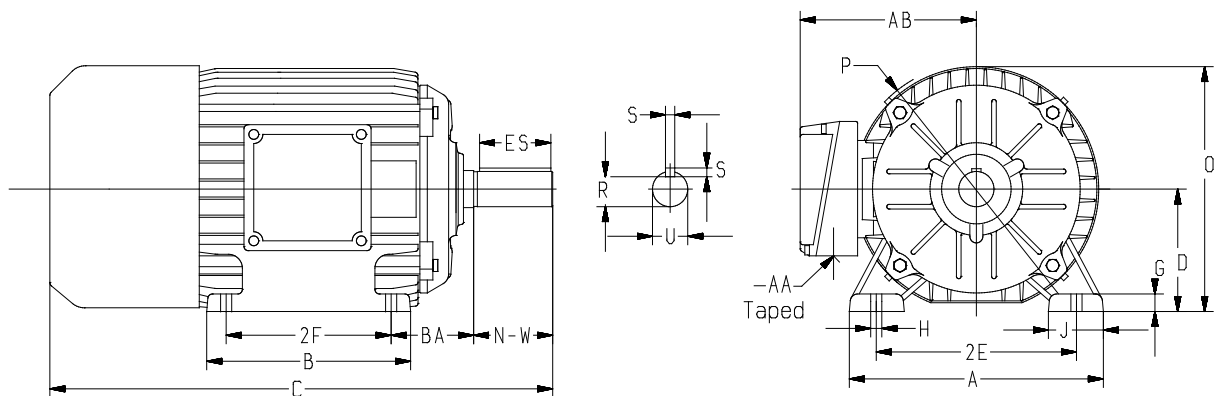
The conduit box can be rotated in 90° increments so that conduit can be received from any direction. Conduit box can be located on either side of motor.

Severe Duty Premium 60N Series – 1-250 HP
Performance Data

HP	RPM	Frame	Torque			FLA			LRA		Efficiency			Power Factor			NEMA Design	Code	SF	WK ² lb ft ²	lbs
			FLT lb-ft	LRT %	BDT %	460V	575V	208V	460V	575V	FL	75%	50%	FL	75%	50%					
1	1765	143T	3	300	320	1.4	1.1	3.1	12.9	10.3	85.5	84.5	81.3	78	70	57	B	M	1.4	0.09	53
	1160	145T	4.5	240	300	1.7	1.4	3.8	10	8	82.5	81.9	78.6	68	59	46	B	K	1.4	0.15	55
1.5	3540	143T	2.2	350	410	2.1	1.7	4.6	20	16	84.5	83.2	79.8	78	69	57	B	M	1.4	0.07	56
	1750	145T	4.5	300	400	2	1.6	4.4	16.6	13.3	87	86.8	85	79	72	59	B	K	1.4	0.1	57
2	1170	182T	6.7	190	280	2.4	1.9	5.3	14	11.2	87.5	86.9	84.5	68	59	47	B	J	1.4	0.4	85
	3525	145T	3	360	400	2.7	2.2	6.0	25.4	20.3	86	85.7	83.3	82	75	62	B	L	1.4	0.08	57
3	1745	145T	6	260	340	2.6	2.1	5.8	19.2	15.4	86.5	87.1	85.8	83	77	64	B	J	1.4	0.13	59
	1170	184T	9	200	300	3	2.4	6.6	25	20	88.5	88.6	86.9	72	64	51	B	L	1.4	0.45	98
5	3500	182T	4.5	310	320	4	3.2	8.8	32	25.6	86.5	86.4	84.4	82	76	65	B	M	1.4	0.12	76
	1775	182T	8.9	320	400	4.2	3.4	9.3	38	30.4	89.5	88.5	85.8	75	67	54	A	K	1.4	0.27	102
7.5	1165	213T	13.5	260	360	4.2	3.4	9.3	32	25.6	89.5	89.5	88	74	68	56	B	K	1.4	1.45	205
	3535	184T	7.4	450	530	6.2	5.0	13.7	73	58.4	89	88.6	86.7	85	80	68	A	N	1.4	0.2	102
10	1770	184T	14.8	300	380	6.7	5.4	14.8	61	48.8	89.5	89.2	87.6	78	71	58	A	L	1.3	0.34	108
	1170	215T	22.4	250	350	7	5.6	15.5	46	36.8	89.5	89.6	88.2	75	69	57	B	J	1.3	1.56	220
15	3525	213T	11.2	290	315	8.5	6.8	18.8	76	60.8	90	90	88.7	92	89	81	A	K	1.3	0.45	159
	1765	213T	22.3	240	290	9.3	7.4	20.6	71	56.8	91.7	91.6	90.5	82	78	67	A	J	1.3	0.87	167
20	1185	254T	33.2	320	350	10.4	8.3	23.0	77.5	62	91	90.6	88.6	74	67	54	A	K	1.3	2.63	321
	3535	215T	14.8	300	335	11.4	9.1	25.2	93	74.4	90.2	90.4	89.3	91	88	80	A	J	1.3	0.5	173
25	1770	215T	29.6	230	280	12.5	10.0	27.6	87	69.6	91.7	91.7	90.4	82	77	66	A	H	1.3	0.99	185
	1180	256T	44.5	290	330	13.4	10.7	29.6	94	75.2	91	90.8	89.2	77	70	58	A	J	1.3	3.31	363
30	3540	254T	22.3	240	250	17.6	14.1	38.9	112	90	91.7	91.8	90.5	87	85	77	B	G	1.3	1.15	258
	1775	254T	44.3	380	440	17.3	13.8	38.3	168	134.4	92.4	92	90.7	88	84	76	A	K	1.3	2.89	301
40	1185	284T	66.4	470	380	19.5	15.6	43.1	180	144	91.7	91.2	89	79	73	61	A	L	1.3	5.19	371
	3540	256T	29.7	230	260	22.9	18.3	50.6	138	110	92	92.4	91.7	89	88	82	B	F	1.3	1.47	306
50	1775	256T	59.1	380	450	22.9	18.3	50.6	230	184	93	92.7	91.4	88	84	76	A	L	1.2	3.57	390
	1185	286T	88.5	380	320	25.5	20.4	56.4	221	177	91.7	91.1	89.1	80	74	63	A	L	1.2	6.03	421
75	3555	284TS	36.9	260	300	29.5	23.6	65.2	205	164	92.4	92.4	91.3	86	82	74	A	H	1.2	1.72	348
	1780	284T	73.7	380	420	30.5	24.4	67.5	300	240	93.6	93.1	91.6	82	76	66	A	L	1.2	3.59	397
100	1190	324T	110	230	240	31.5	25	69.7	182	146	93	93.3	92.4	80	75	65	B	G	1.3	12.9	653
	3540	286TS	44.5	250	300	35.2	28.2	77.8	215	172	91.7	92	91.2	87	85	80	A	G	1.2	1.92	390
125	1780	286T	88.4	370	390	37.5	30.0	82.9	350	280	93.6	93	91.3	80	73	61	A	L	1.2	3.84	441
	1190	326T	132	230	240	37	30	81.8	217	174	93	93.3	92.6	82	78	69	B	G	1.3	14.7	681
150	3552	324TS	59	145	200	44	35	97.3	290	232	93	93.6	93.3	92	91	88	B	G	1.2	4	608
	1780	324T	118	240	270	45	36	99.5	290	232	94.1	94.7	94.3	88	86	78	B	G	1.3	9.3	690
200	1192	364T	176	180	210	48.5	39	107.3	290	232	94.1	94.2	93.5	82	78	68	B	G	1.3	23.1	917
	3552	326TS	74	145	200	55	44	121.6	362	290	93	93.7	93.5	92	92	89	B	G	1.2	4.7	655
250	1781	326T	148	250	270	56	45	123.8	362	290	94.5	95.1	94.9	88	85	78	B	G	1.3	11.6	769
	1191	365T	221	170	200	60	48	132.7	362	290	94.1	94.3	93.7	83	80	71	B	G	1.3	25.9	970
300	3562	364TS	88.5	125	200	65	52	143.8	435	348	93.6	94.1	93.8	92	91	87	B	G	1.2	6.5	860
	1786	364T	177	140	200	67	54	148.2	435	348	95	95.6	95.3	88	87	80	B	G	1.2	15.5	926
400	1192	404T	264	180	200	72	58	159.2	435	348	94.5	94.4	93.7	82	78	68	B	G	1.3	36.8	1127
	3560	365TS	111	120	200	81	65	179.1	542	434	94.1	94.8	94.7	92	91	89	B	G	1.2	7.9	933
500	1787	365T	221	150	210	84	67	185.8	542	434	95.4	95.8	95.5	88	86	80	B	G	1.2	17.8	1012
	1191	405T	331	140	200	91	73	201.3	542	434	94.5	94.9	94.4	82	79	70	B	G	1.2	41.9	1210
600	3565	405TS	147	170	240	109	87	241.1	725	580	95.4	95.6	95.3	90	88	83	B	G	1.2	10	1058
	1785	405T	294	220	230	108	86	238.8	790	632	95.4	95.9	95.7	91	89	84	B	G	1.2	29.8	1241
800	1192	444T	441	190	200	123	98	272.0	725	580	95	94.9	93.9	80	75	65	B	G	1.2	64.1	1726
	3578	444TS	184	140	260	133	106	–	950	760	95.4	95.7	95.5	92	90	86	B	G	1.2	22.5	1488
1000	1788	444T	367	175	210	136	109	–	907	726	95.8	96.2	96.1	90	89	85	B	G	1.2	42.9	1662
	1192	445T	551	190	200	153	122	–	910	728	95.4	95.6	95.3	80	77	67	B	G	1.2	76.3	1931
1200	3578	445TS	220	160	270	159	127	–	1180	944	95.8	96.1	96	92	91	86	B	G	1.2	28.4	1594
	1788	445T	441	180	200	161	129	–	1085	868	95.8	96.2	96.1	91	90	86	B	G	1.2	52.7	1823
1600	3578	447TS	294	150	250	210	168	–	1500	1200	95.8	96.2	96.1	93	92	88	B	G	1.2	29.1	2161
	1790	447T	587	170	200	218	174	–	1550	1240	96.5	96.7	96.2	89	87	81	B	G	1.2	68	2310
2000	3579	447TS	367	180	270	261	209	–	1900	1520	96.2	96.6	96.5	93	92	89	B	G	1.2	36.9	2271
	1788	447T	735	160	200	267	214	–	1825	1460	96.2	96.6	96.5	91	9	85	B	G	1.2	81.5	2447

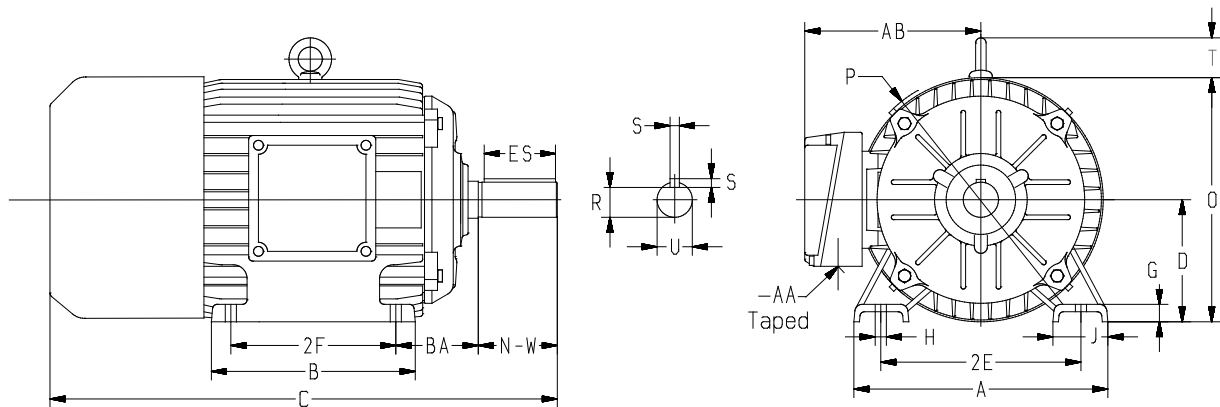
Severe Duty Premium 60N Series – 143T-286TS Footed Mounting Dimensions

143T-145T



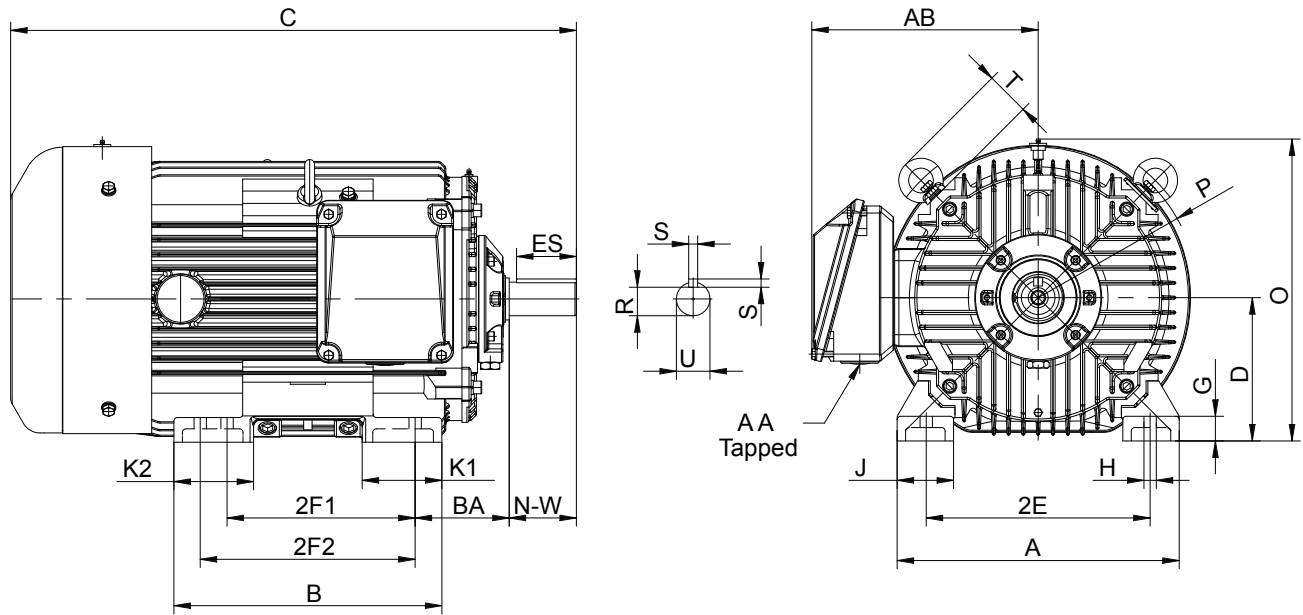
Frame	# of Poles	Mounting Dimensions											Overall Dimensions								
		A	B	D	2E	2F	H	R	U	N-W	AA	BA	ES	C	G	J	O	P	S	AB	Bearings
143T	2,4,6	6.62	5.83	3.5	5.5	4	0.34	0.771	0.875	2.25	3/4	2.25	1.52	14.2	0.39	1.66	7.48	8.27	0.188	6.5	6205 2Z
145T	2,4,6	6.62	7	3.5	5.5	5	0.34	0.771	0.875	2.25	3/4	2.25	1.52	15.15	0.39	1.66	7.48	8.27	0.188	6.5	6205 2Z

182T-286TS



Frame	# of Poles	Mounting Dimensions											Overall Dimensions									
		A	B	D	2E	2F	H	R	U	N-W	AA	BA	ES	C	G	J	O	P	S	T	AB	Bearings
182T	2,4,6	9	8.31	4.5	7.5	4.5	0.41	0.986	1.125	2.75	1	2.75	1.94	17.7	0.6	2.13	9.09	9.53	0.25	1.77	7.9	6306 2Z
184T	2,4,6	9	8.31	4.5	7.5	5.5	0.41	0.986	1.125	2.75	1	2.75	1.94	17.7	0.6	2.13	9.09	9.53	0.25	1.77	7.9	6306 2Z
213T	2,4,6	10.24	8.7	5.25	8.5	5.5	0.41	1.201	1.375	3.38	1	3.5	2.55	22.25	0.67	2.2	10.96	11.61	0.312	2.08	8.92	6308/6 2Z
215T	2,4,6	10.24	10.28	5.25	8.5	7	0.41	1.201	1.375	3.38	1	3.5	2.55	22.88	0.67	2.2	10.96	11.61	0.312	2.08	8.92	6308/6 2Z
254T	2,4,6	12.28	9.92	6.25	10	8.25	0.55	1.416	1.625	4	1 1/4	4.25	3.11	25.83	0.58	2.36	13.18	14.17	0.375	2.08	10.08	6309 2Z
256T	2,4,6	12.28	11.65	6.25	10	10	0.55	1.416	1.625	4	1 1/4	4.25	3.11	27.6	0.58	2.36	13.18	14.17	0.375	2.08	10.08	6309 2Z
284T	4,6	13.78	13.11	7	11	9.5	0.55	1.591	1.875	4.62	1 1/2	4.75	3.53	31.16	0.89	2.75	14.01	14.17	0.5	2.08	10.34	6311 2Z
284TS	2	13.78	13.11	7	11	9.5	0.55	1.416	1.625	3.25	1 1/2	4.75	2.1	27.2	0.89	2.75	14.01	14.17	0.375	2.08	10.34	6311 2Z
286T	4,6	13.78	13.11	7	11	11	0.55	1.591	1.875	4.62	1 1/2	4.75	3.53	31.16	0.89	2.75	14.01	14.17	0.5	2.08	10.34	6311 2Z
286TS	2	13.78	13.11	7	11	11	0.55	1.416	1.625	3.25	1 1/2	4.75	2.1	27.2	0.89	2.75	14.01	14.17	0.375	2.08	10.34	6311 2Z

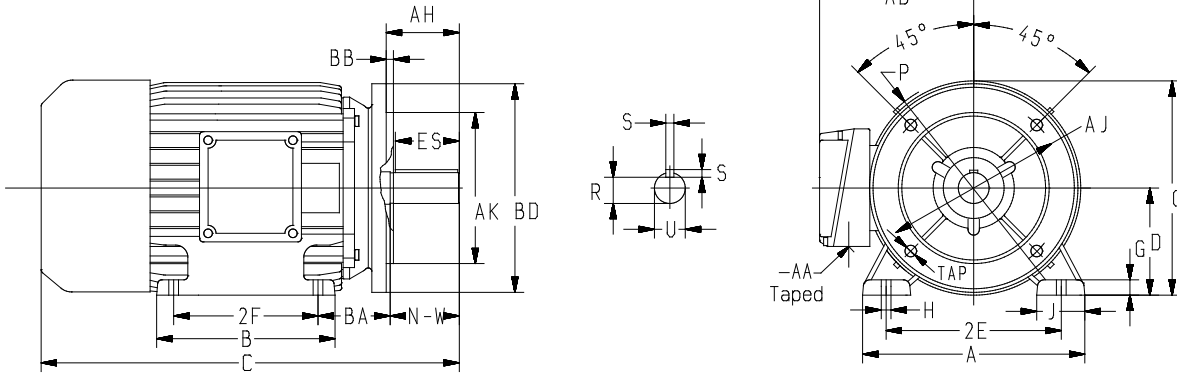
Severe Duty Premium 60N Series – 324TS-447T Footed Mounting Dimensions



Frame	# of Poles	Mounting Dimensions												Overall Dimensions											
		D	2E	2F1	2F2	G	H	Shaft End						A	AA	AB	B	C	J	K1	K2	O	P	T	Bearings
								BA	ES	N-W	R	S	U												
324TS	2	8	12.5	10.5	12	1.38	0.66	5.25	2.75	3.75	1.591	0.5	1.875	15.8	2	13	15	31.6	3.15	4.45	4.45	16.9	17.9	2.5	6312C3
324T	4,6	8	12.5	10.5	12	1.38	0.66	5.25	4.33	5.25	1.845	0.5	2.125	15.8	2	13	15	33.1	3.15	4.45	4.45	16.9	17.9	2.5	6312C3
326TS	2	8	12.5	10.5	12	1.38	0.66	5.25	2.75	3.75	1.591	0.5	1.875	15.8	2	13	15	31.6	3.15	4.45	4.45	16.9	17.9	2.5	6312C3
326T	4,6	8	12.5	10.5	12	1.38	0.66	5.25	4.33	5.25	1.845	0.5	2.125	15.8	2	13	15	33.1	3.15	4.45	4.45	16.9	17.9	2.5	6312C3
364TS	2	9	14	11.25	12.25	1.49	0.66	5.88	2.75	3.75	1.591	0.5	1.875	17.5	3	14.2	15	33.6	3.35	4.53	4.53	18.8	19.9	2.5	6313C3
364T	4,6	9	14	11.25	12.25	1.49	0.66	5.88	4.92	5.88	2.021	0.625	2.375	17.5	3	14.2	15	35.7	3.35	4.53	4.53	18.8	19.9	2.5	6313C3
365TS	2	9	14	11.25	12.25	1.49	0.66	5.88	2.75	3.75	1.591	0.5	1.875	17.5	3	14.2	15	33.6	3.35	4.53	4.53	18.8	19.9	2.5	6313C3
365T	4,6	9	14	11.25	12.25	1.49	0.66	5.88	4.92	5.88	2.021	0.625	2.375	17.5	3	14.2	15	35.7	3.35	4.53	4.53	18.8	19.9	2.5	6313C3
404T	6	10	16	12.25	13.75	1.57	0.81	6.62	6.3	7.25	2.45	0.75	2.875	18.9	3	15.5	17.6	40.4	3.54	5.32	5.32	20.8	21.3	2.95	6315C3
405TS	2	10	16	12.25	13.75	1.57	0.81	6.62	3.5	4.25	1.845	0.5	2.125	18.9	3	15.5	17.6	37.4	3.54	5.32	5.32	20.8	21.3	2.95	6315C3
405T	4,6	10	16	12.25	13.75	1.57	0.81	6.62	6.3	7.25	2.45	0.75	2.875	18.9	3	15.5	17.6	40.4	3.54	5.32	5.32	20.8	21.3	2.95	6315C3
444TS	2	11	18	14.5	16.5	1.57	0.81	7.5	4.3	4.75	2.021	0.625	2.375	21.7	2x3	17.6	20.5	42	4.15	5.12	6.5	23.4	24.4	3.75	6315C3
444T	4,6	11	18	14.5	16.5	1.57	0.81	7.5	7.9	8.5	2.88	0.875	3.375	21.7	2x3	17.6	20.5	45.7	4.15	5.12	6.5	23.4	24.4	3.75	6318C3
445TS	2	11	18	14.5	16.5	1.57	0.81	7.5	4.3	4.75	2.021	0.625	2.375	21.7	2x3	17.6	20.5	42	4.15	5.12	6.5	23.4	24.4	3.75	6315C3
445T	4,6	11	18	14.5	16.5	1.57	0.81	7.5	7.9	8.5	2.88	0.875	3.375	21.7	2x3	17.6	20.5	45.7	4.15	5.12	6.5	23.4	24.4	3.75	6318C3
447TS	2	11	18	20	-	1.654	0.81	7.5	4.3	4.75	2.021	0.625	2.375	22.1	2x3	19.5	24	46.3	4.18	6.8	6.8	23.4	24.4	3.75	6315C3
447T	4,6	11	18	20	-	1.654	0.81	7.5	7.9	8.5	2.88	0.875	3.375	22.1	2x3	19.5	24	50	4.18	6.8	6.8	23.4	24.4	3.75	6318C3

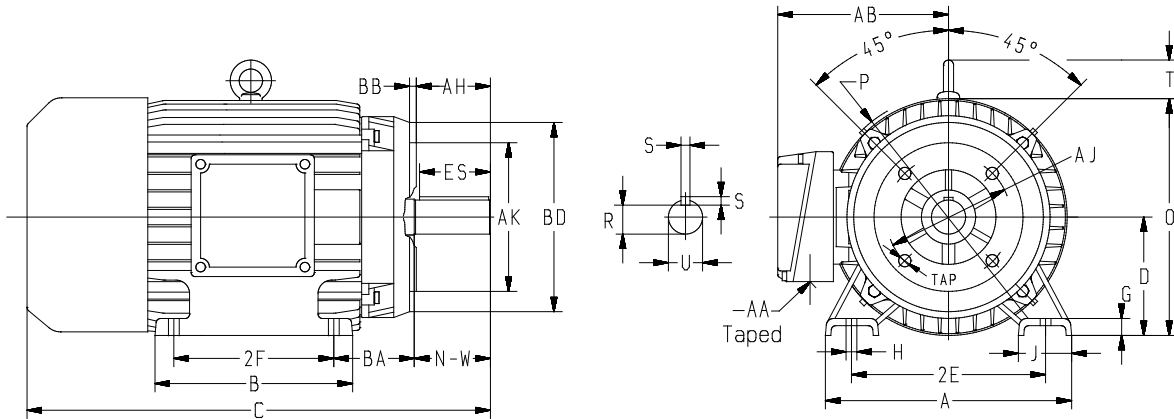
Severe Duty Premium 60N Series – 143TC-286TSC C-Face
Mounting Dimensions

143TC-145TC



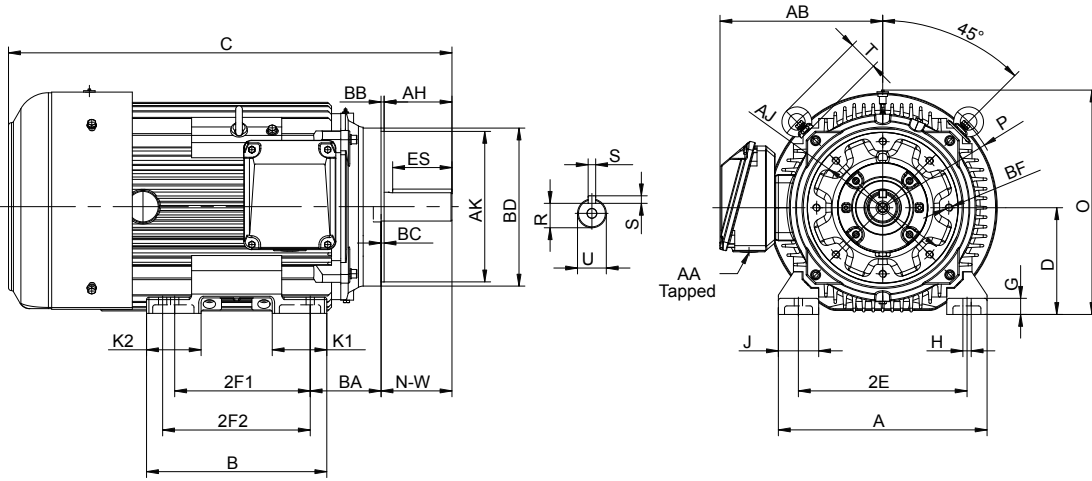
Frame	# of Poles	Mounting Dimensions															Overall Dimensions										
		A	B	D	2E	2F	H	R	S	U	AH	AJ	AK	BA	BB	BD	ES	C	G	J	O	P	N-W	AA	AB	Tap	Bearings
143TC	2,4,6	6.62	5.83	3.5	5.5	4	0.34	0.771	0.188	0.875	2.12	5.875	4.5	2.25	0.16	6.5	1.52	14.2	0.39	1.66	7.48	8.27	2.25	3/4	6.5	3/8/16	6205 2Z
145TC	2,4,6	6.62	7	3.5	5.5	5	0.34	0.771	0.188	0.875	2.12	5.875	4.5	2.25	0.16	6.5	1.52	15.15	0.39	1.66	7.48	8.27	2.25	3/4	6.5	3/8/16	6205 2Z

182TC-286TSC



Frame	# of Poles	Mounting Dimensions															Overall Dimensions											
		A	B	D	2E	2F	H	R	S	U	AH	AJ	AK	BA	BB	BD	ES	C	G	J	O	P	T	N-W	AA	AB	Tap	Bearings
182TC	2,4,6	9	8.31	4.5	7.5	4.5	0.41	0.986	0.25	1.125	2.62	7.25	8.5	2.75	0.25	8.9	1.94	17.7	0.6	2.13	9.09	9.53	1.77	2.75	1	7.9	1/2/13	6306 2Z
184TC	2,4,6	9	8.31	4.5	7.5	5.5	0.41	0.986	0.25	1.125	2.62	7.25	8.5	2.75	0.25	8.9	1.94	17.7	0.6	2.13	9.09	9.53	1.77	2.75	1	7.9	1/2/13	6306 2Z
213TC	2,4,6	10.24	8.7	5.25	8.5	5.5	0.41	1.201	0.312	1.375	3.13	7.25	8.5	3.5	0.25	8.9	2.55	22.25	0.67	2.2	10.96	11.61	2.08	3.38	1	8.92	1/2/13	6308/6 2Z
215TC	2,4,6	10.24	10.28	5.25	8.5	7	0.41	1.201	0.312	1.375	3.13	7.25	8.5	3.5	0.25	8.9	2.55	22.88	0.67	2.2	10.96	11.61	2.08	3.38	1	8.92	1/2/13	6308/6 2Z
254TC	2,4,6	12.28	9.92	6.25	10	8.25	0.55	1.416	0.375	1.625	3.75	7.25	8.5	4.25	0.25	10	3.11	25.83	0.58	2.36	13.18	14.17	2.08	4	1 1/4	10.08	1/2/13	6309 2Z
256TC	2,4,6	12.28	11.65	6.25	10	10	0.55	1.416	0.375	1.625	3.75	7.25	8.5	4.25	0.25	10	3.11	27.6	0.58	2.36	13.18	14.17	2.08	4	1 1/4	10.08	1/2/13	6309 2Z
284TC	4,6	13.78	13.11	7	11	9.5	0.55	1.591	0.5	1.875	4.38	9	10.5	4.75	0.25	11.25	3.53	31.16	0.89	2.75	14.01	14.17	2.08	4.62	1 1/2	10.34	1/2/13	6311 2Z
284TSC	2	13.78	13.11	7	11	9.5	0.55	1.416	0.375	1.625	3	9	10.5	4.75	0.25	11.25	2.1	27.2	0.89	2.75	14.01	14.17	2.08	3.25	1 1/2	10.34	1/2/13	6311 2Z
286TC	4,6	13.78	13.11	7	11	11	0.55	1.591	0.5	1.875	4.38	9	10.5	4.75	0.25	11.25	3.53	31.16	0.89	2.75	14.01	14.17	2.08	4.62	1 1/2	10.34	1/2/13	6311 2Z
286TSC	2	13.78	13.11	7	11	11	0.55	1.416	0.375	1.625	3	9	10.5	4.75	0.25	11.25	2.1	27.2	0.89	2.75	14.01	14.17	2.08	3.25	1 1/2	10.34	1/2/13	6311 2Z

Severe Duty Premium 60N Series – 324TSC-447TC C-Face Mounting Dimensions



Frame	# of Poles	Mounting Dimensions																	
		D	2E	2F1	2F2	G	H	Shaft End						C-Face					
								BA	ES	N-W	R	S	U	AH	AJ	AK	BB/BC	BF	
																		Size	#
324TSC	2	8	12.5	10.5	12	1.38	0.66	5.25	2.75	3.75	1.591	0.5	1.875	3.5	11.0	12.5	0.25	5/8/11	4
324TC	4,6	8	12.5	10.5	12	1.38	0.66	5.25	4.33	5.25	1.845	0.5	2.125	5.0	11.0	12.5	0.25	5/8/11	4
326TSC	2	8	12.5	10.5	12	1.38	0.66	5.25	2.75	3.75	1.591	0.5	1.875	3.5	11.0	12.5	0.25	5/8/11	4
326TC	4,6	8	12.5	10.5	12	1.38	0.66	5.25	4.33	5.25	1.845	0.5	2.125	5.0	11.0	12.5	0.25	5/8/11	4
364TSC	2	9	14	11.25	12.25	1.49	0.66	5.88	2.75	3.75	1.591	0.5	1.875	3.5	11.0	12.5	0.25	5/8/11	8
364TC	4,6	9	14	11.25	12.25	1.49	0.66	5.88	4.92	5.88	2.021	0.625	2.375	5.63	11.0	12.5	0.25	5/8/11	8
365TSC	2	9	14	11.25	12.25	1.49	0.66	5.88	2.75	3.75	1.591	0.5	1.875	3.5	11.0	12.5	0.25	5/8/11	8
365TC	4,6	9	14	11.25	12.25	1.49	0.66	5.88	4.92	5.88	2.021	0.625	2.375	5.63	11.0	12.5	0.25	5/8/11	8
404TC	6	10	16	12.25	13.75	1.57	0.81	6.62	6.3	7.25	2.45	0.75	2.875	7.0	11.0	12.5	0.25	5/8/11	8
405TSC	2	10	16	12.25	13.75	1.57	0.81	6.62	3.5	4.25	1.845	0.5	2.125	4.0	11.0	12.5	0.25	5/8/11	8
405TC	4,6	10	16	12.25	13.75	1.57	0.81	6.62	6.3	7.25	2.45	0.75	2.875	7.0	11.0	12.5	0.25	5/8/11	8
444TSC	2	11	18	14.5	16.5	1.57	0.81	7.5	4.3	4.75	2.021	0.625	2.375	4.5	14.0	16.0	0.25	5/8/11	8
444TC	4,6	11	18	14.5	16.5	1.57	0.81	7.5	7.9	8.5	2.88	0.875	3.375	8.25	14.0	16.0	0.25	5/8/11	8
445TSC	2	11	18	14.5	16.5	1.57	0.81	7.5	4.3	4.75	2.021	0.625	2.375	4.5	14.0	16.0	0.25	5/8/11	8
445TC	4,6	11	18	14.5	16.5	1.57	0.81	7.5	7.9	8.5	2.88	0.875	3.375	8.25	14.0	16.0	0.25	5/8/11	8
447TSC	2	11	18	20	-	1.654	0.81	7.5	4.3	4.75	2.021	0.625	2.375	4.5	14.0	16.0	0.25	5/8/11	8
447TC	4,6	11	18	20	-	1.654	0.81	7.5	7.9	8.5	2.88	0.875	3.375	8.25	14.0	16.0	0.25	5/8/11	8

Frame	# of Poles	Overall Dimensions											
		A	AA	AB	B	BD	C	J	K1	K2	O	P	T
324TSC	2	15.8	2	13	15	13.0	31.6	3.15	4.45	4.45	16.9	17.9	2.5
324TC	4,6	15.8	2	13	15	13.0	33.1	3.15	4.45	4.45	16.9	17.9	2.5
326TSC	2	15.8	2	13	15	13.0	31.6	3.15	4.45	4.45	16.9	17.9	2.5
326TC	4,6	15.8	2	13	15	13.0	33.1	3.15	4.45	4.45	16.9	17.9	2.5
364TSC	2	17.5	3	14.2	15	13.2	33.6	3.35	4.53	4.53	18.8	19.9	2.5
364TC	4,6	17.5	3	14.2	15	13.2	35.7	3.35	4.53	4.53	18.8	19.9	2.5
365TSC	2	17.5	3	14.2	15	13.2	33.6	3.35	4.53	4.53	18.8	19.9	2.5
365TC	4,6	17.5	3	14.2	15	13.2	35.7	3.35	4.53	4.53	18.8	19.9	2.5
404TC	6	18.9	3	15.5	17.6	13.2	40.4	3.55	5.32	5.32	20.8	21.3	2.95
405TSC	2	18.9	3	15.5	17.6	13.2	37.4	3.55	5.32	5.32	20.8	21.3	2.95
405TC	4,6	18.9	3	15.5	17.6	13.2	40.4	3.55	5.32	5.32	20.8	21.3	2.95
444TSC	2	21.7	2x3	17.6	20.5	16.6	42	4.15	5.12	6.5	23.4	24.4	3.75
444TC	4,6	21.7	2x3	17.6	20.5	16.6	45.7	4.15	5.12	6.5	23.4	24.4	3.75
445TSC	2	21.7	2x3	17.6	20.5	16.6	42	4.15	5.12	6.5	23.4	24.4	3.75
445TC	4,6	21.7	2x3	17.6	20.5	16.6	45.7	4.15	5.12	6.5	23.4	24.4	3.75
447TSC	2	22.1	2x3	19.5	24	16.6	46.3	4.18	6.8	6.8	23.4	24.4	3.75
447TC	4,6	22.1	2x3	19.5	24	16.6	50	4.18	6.8	6.8	23.4	24.4	3.75

METRIC IEC Standard Efficiency 40M Series – 0.08-1.5 HP (0.06-1.1 kW) Performance Data

50 Hz Performance Data

HP	RPM	Frame	kW	Torque			FLA			LRA	Efficiency			Power Factor	WK ² kgm ²	Wt kg
				FLT Nm	LRT %	BDT %	230V	380V	400V		%	FL	75%			
0.08	1400	Sg 56-4A	0.06	0.409	180	200	0.43	0.25	0.25	330	55	52	44	66	0.00015	2.7
0.12	2800	Sg 56-2A	0.09	0.307	210	210	0.56	0.32	0.32	450	58	50	43	75	0.000076	3
	1380	Sg 56-4B		0.623	200	190	0.59	0.34	0.34	320	61	58	54	65	0.00019	2.9
0.17	2800	Sg 56-2B	0.12	0.409	180	210	0.6	0.35	0.35	480	63	58	50	83	0.000095	3.4
	1380	Sg 63-4A		0.83	200	200	0.7	0.4	0.4	320	64	60	56	72	0.00024	3.6
0.25	2760	Sg 63-2A	0.18	0.623	190	190	0.95	0.55	0.55	380	65	63	58	80	0.000175	3.6
	1380	Sg 63-4B		1.246	200	200	1.1	0.65	0.65	320	64	62	60	70	0.00031	4.2
0.33	890	Sh 71-6A	0.25	1.93	190	190	1.3	0.75	0.75	260	57	54	47	68	0.00074	4.9
	2760	Sg 63-2B		0.865	200	200	1.1	0.65	0.65	400	68	65	62	83	0.000235	4.2
	1380	Sh 71-4A		1.73	200	200	1.5	0.85	0.85	300	66	63	60	68	0.00061	4.8
0.5	860	Sh 71-6B	0.37	2.78	160	160	1.75	1	1	230	55	52	45	79	0.00095	5.8
	2800	Sh 71-2A		1.262	220	220	1.73	1	1	440	71	69	67	77	0.000389	5
	1360	Sh 71-4B		2.598	210	200	2.1	1.2	1.2	310	68	65	62	72	0.00077	5.9
0.75	910	Sh 80-6A	0.55	3.88	200	210	2.4	1.4	1.4	300	64	63	61	65	0.00169	7.3
	2790	Sh 71-2B		1.883	200	210	2.35	1.35	1.35	400	75	72	69	82	0.000484	6
	1400	Sh 80-4A		3.75	210	210	2.95	1.7	1.7	360	70	68	62	68	0.00158	7.5
1	900	Sh 80-6B	0.75	5.84	190	200	3.1	1.8	1.8	270	67	65	62	70	0.00207	8.6
	2800	Sh 80-2A		2.56	270	260	3.3	1.9	1.9	450	74	72	66	80	0.000829	7.8
1.5	1390	Sh 80-4B	1.1	5.15	210	210	3.5	2	2	400	75	73	67	73	0.0019	8.8
	2780	Sg 80-2B		3.78	260	260	4.3	2.5	2.5	510	77	75	69	84	0.001005	9.1

60 Hz Performance Data

HP	RPM	Frame	kW	Torque			FLA			LRA	Efficiency			Power Factor	WK ² lb ft ²	Wt lbs
				FLT lb ft	LRT %	BDT %	230V	460V	575V		%	FL	75%			
0.08	1680	Sg 56-4A	0.06	0.25	210	220	0.44	0.22	0.18	330	55	52	44	66	0.002	5.9
0.12	3360	Sg 56-2A	0.09	0.19	220	220	0.56	0.28	0.22	450	58	50	43	75	0.001	6.6
	1660	Sg 56-4B		0.38	210	200	0.6	0.3	0.24	320	61	58	54	65	0.003	6.4
0.17	3360	Sg 56-2B	0.12	0.27	200	220	0.6	0.3	0.24	480	63	58	50	83	0.002	7.5
	1660	Sg 63-4A		0.54	210	210	0.7	0.35	0.28	320	64	60	56	72	0.004	7.9
0.25	3310	Sg 63-2A	0.18	0.4	200	200	1	0.5	0.4	380	65	63	58	80	0.003	7.9
	1660	Sg 63-4B		0.79	210	210	1.1	0.55	0.44	320	64	62	60	70	0.005	9.3
0.33	1070	Sh 71-6A	0.25	1.23	200	200	1.4	0.7	0.56	260	57	54	47	68	0.012	10.8
	3310	Sg 63-2B		0.52	210	210	1.1	0.55	0.44	400	68	65	62	83	0.004	9.3
	1660	Sh 71-4A		1.04	210	210	1.4	0.7	0.56	300	66	63	60	68	0.001	10.6
0.5	1030	Sh 71-6B	0.37	1.63	200	200	1.8	0.9	0.72	230	55	52	45	70	0.002	12.8
	3360	Sh 71-2A		0.78	200	210	1.8	0.9	0.72	440	71	69	67	68	0.006	11.7
	1630	Sh 71-4B		1.6	220	220	2	1	0.8	310	68	65	62	68	0.012	13
0.75	1090	Sh 80-6A	0.55	2.43	200	220	2.4	1.2	0.96	300	64	63	61	64	0.027	16
	3350	Sh 71-2B		1.18	210	220	2.4	1.2	0.96	400	75	72	69	85	0.008	13.2
	1680	Sh 80-4A		2.34	220	220	3	1.5	1.2	360	70	68	62	72	0.025	16.5
1	1080	Sh 80-6B	0.75	3.65	200	210	3.2	1.6	1.28	270	67	65	62	72	0.033	19
	3360	Sh 80-2A		1.56	280	270	3.2	1.6	1.28	450	74	72	66	80	0.013	17.2
1.5	1670	Sh 80-4B	1.1	3.14	220	220	3.4	1.7	1.36	400	75	73	67	73	0.03	19.4
	3340	Sg 80-2B		2.36	270	270	4.4	2.2	1.76	510	77	75	69	84	0.016	20.1

METRIC IEC High Efficiency 20M Series – 1-220 HP (1.5-160 kW)
Performance Data

50 Hz Performance Data

HP	RPM	Frame	kW	Torque			FLA			LRA	Efficiency			Power Factor	Design	WK ² kgm ²	Wt kg
				FLT Nm	LRT %	BDT %	230V	380V	400V		%	FL	75%				
1	925	90S	.75	6.2	220	260	3.5	2.2	2	420	75.9	76.1	75.5	70	H	0.0025	16.5
1.5	1425	90S	1.1	6.2	240	280	4.5	2.8	2.6	510	81.4	81.9	81.1	76	H	0.0029	16.3
2	2880	90S	1.5	5	330	340	5.7	3.5	3.3	760	81.8	82	80	81	N	0.0014	13.9
	1425	90L		10	280	330	6	3.6	3.4	710	82.8	83.2	81.2	76	H	0.0036	19
3	2870	90L	2.2	7.3	370	370	8.2	4.9	4.7	730	83.5	84.4	83.4	81	N	0.0016	17.3
	1440	100L		14.8	240	280	7.9	4.7	4.5	810	84.7	85.5	84.6	83	H	0.007	26
	955	112M		22.4	230	270	8.9	5.4	5.1	700	82.3	83.1	82	75	H	0.0177	32
4	2915	100L	3	9.8	310	330	10.7	6.5	6.2	830	84.6	84.7	82.8	83	N	0.0039	26.7
	1445	100L		19.7	340	360	11.5	6.9	6.6	960	86	86.1	84.3	76	H	0.0077	30
	950	132S		30.2	200	270	11.4	6.9	6.6	550	83.3	84.3	83.1	79	H	0.025	54
5.5	2915	112M	4	13.1	240	270	13.4	8.1	7.7	850	86.3	87.3	86.9	87	N	0.006	33.5
	1450	112M		27	200	290	14.6	8.8	8.4	740	87	87.7	86.9	79	H	0.0115	36
	950	132M		40.2	220	280	14.7	8.8	8.4	630	84.6	85.6	84.9	81	H	0.032	66
7.5	2930	132S	5.5	17.9	270	340	17.5	10.6	10.1	880	87.5	89.2	88.5	90	N	0.014	59.5
	1460	132S		30	240	310	19.7	11.6	11.3	830	88	88.5	87.6	80	H	0.029	69
	950	132M		55.3	270	310	20.3	12.3	11.7	650	86	86.8	85.8	79	H	0.04	72
10	2920	132S	7.5	24.5	270	330	23.1	13.9	13.2	850	88.6	89.1	88.2	92	N	0.017	70.8
	1460	132M		48.8	240	330	26.5	16.1	15.3	860	88.7	89.2	88.5	80	H	0.036	74
	960	160M		74.2	230	310	26.6	16.1	15.3	770	87.4	88.5	88.2	81	H	0.072	100
15	2940	160M	11	35.7	200	270	35.3	21.4	20.3	720	90	90.3	89.4	87	N	0.042	96
	1470	160M		72.7	200	280	38	22.9	21.8	800	89.8	90.3	89.3	81	H	0.057	106
	960	160L		111.3	250	310	38	22.9	21.8	820	88.7	89.6	89.3	82	H	0.096	125
20	2935	160M	15	48.8	200	280	46.9	28.3	26.9	700	90.3	91	90.6	89	H	0.048	103
	1470	160L		96.9	210	300	51.3	31.1	29.5	820	90.6	91.3	90.7	81	N	0.07	126
	975	180L		146.1	280	240	51.2	30.9	29.4	720	89.7	90.1	89.1	82	H	0.22	170
25	2935	160L	18.5	60.2	230	290	55.8	33.8	32.1	770	91.5	92.3	92.2	91	N	0.059	118
	1470	180M		121.2	280	300	59.2	35.8	34	870	91.2	91.3	90.2	86	H	0.139	169
	990	200L		179.9	200	260	66	40	38	660	90.8	90.7	89.2	77	H	0.5	283
30	2945	180M	22	71.3	260	320	68.7	41.6	39.5	750	91.3	91.7	90.8	88	N	0.062	156
	1460	180L		146.4	280	290	70.1	42.4	40.3	850	91.6	92	91.4	86	H	0.144	180
	990	200L		215.9	180	240	77	46	44	620	91	91.1	90	79	H	0.57	294
40	2952	200L	30	97	200	260	91	55	52	630	92.3	92.7	92	90	N	0.15	265
	1474	200L		193.3	190	230	93	56	54	630	92.4	93.1	93	87	H	0.31	285
	990	225M		287.9	190	230	101	61	58	650	91.9	92.4	91.7	81	H	0.82	379
50	2954	200L	37	120	180	250	110	66	63	600	92.7	93.5	93.6	91	N	0.18	283
	1484	225S		240	200	270	117	71	67	750	93.2	93.5	92.9	85	H	0.49	368
	989	250M		357	160	230	119	72	68	530	92.5	93	92.5	84	H	1.39	458
60	2967	225M	45	145	150	280	135	82	78	620	93.1	93.6	93.2	90	N	0.26	380
	1485	225M		287.9	210	280	144	87	83	770	93.6	93.8	93	84	H	0.55	395
	992	280S		433	170	230	152	92	87	560	93	93	92	80	H	1.9	682
75	2959	250M	55	177	180	230	163	98	94	570	93.3	93.9	93.8	91	N	0.42	492
	1479	250M		361.3	180	210	164	99	94	690	93.5	93.9	93	90	H	0.79	478
	992	280M		538.6	170	220	250	110	105	670	93.4	94.2	93.4	81	H	2.93	983
100	2978	280S	75	241	150	290	220	133	127	690	94.1	94.4	94	91	N	0.76	655
	1489	280S		478.5	200	250	225	136	129	760	94.2	94.6	94.1	89	H	1.37	678
	992	315S6		722	170	220	250	152	144	560	94	94.2	93.4	80	H	2.93	983
125	2972	280M	90	289	150	240	264	160	152	650	94.2	94.2	93.4	91	N	0.95	688
	1486	280M		599.3	170	220	272	165	157	760	94.3	94.7	94.5	88	H	1.5	700
	992	315M		897.7	160	200	288	174	165	700	94.2	94.5	93.8	83	H	3.4	1073
150	1489	315S	110	717.7	200	250	324	196	186	750	94.6	95.1	95	90	H	1.85	905
	992	315M		1077.3	170	210	352	213	203	730	94.4	94.7	94.1	83	H	4.21	1181
	220	1487		315M	1028	180	210	465	281	267	570	95.0	95.8	96.0	91	H	2.59

METRIC IEC High Efficiency 20M Series – 1-220 HP (1.5-160 kW)

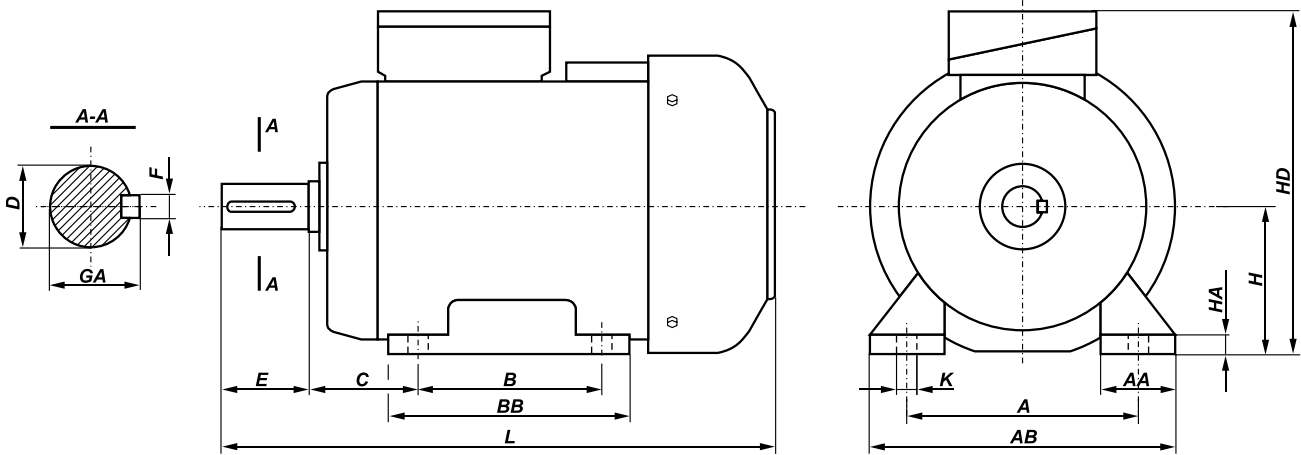
Performance Data

60 Hz Performance Data

HP	RPM	Frame	kW	Torque			FLA			LRA	Efficiency			Power Factor	Design	WK ² lb ft ²	Wt lbs
				FLT lb ft	LRT %	BDT %	230V	460V	575V		%	FL	75%				
1	1140	90S	.75	4.6	260	290	3.6	1.8	1.4	480	80	80.5	79.8	65	H	0.0398	37
1.5	1730	90S	1.1	4.6	290	320	4.6	2.3	1.8	650	84	84.3	82.3	72	H	0.0462	36
2	3490	90S	1.5	3	380	390	5.6	2.8	2.2	870	85.5	85.7	83.6	79	N	0.025	31
	1735	90L		6.2	290	420	6	3	2.4	710	84	84.4	82.4	74	H	0.0574	42
3	3470	90L	2.2	4.5	410	410	8	4	3.2	830	86.5	87.4	86.4	80	N	0.35	38
	1750	100L		8.9	280	330	8	4	3.2	810	87.5	88.3	87.4	79	H	0.112	57
	1170	112M		13.5	240	360	10.6	5.3	4.2	600	87.5	88.4	87.2	61	H	0.282	71
4	3530	100L	3	6	350	360	10.6	5.3	4.2	930	88.5	88.6	86.6	81	N	0.08	59
	1755	100L		12	380	390	11.6	5.8	4.6	840	87.5	87.6	85.8	74	H	0.123	67
	1165	132S		18	280	370	11.4	5.7	4.6	780	87.5	88.5	87.3	76	H	0.398	119
5.5	3525	112M	4	8	260	290	13.4	6.7	5.4	830	88.5	90	89.6	85	N	0.15	74
	1760	112M		16.1	260	330	14.8	7.4	5.9	740	87.5	88.2	87.4	78	H	0.183	79
7.5	1160	132M	5.5	24	290	350	15	7.5	6	750	87.5	88.5	87.8	76	H	0.6	146
	3535	132S		11.1	320	490	17.6	8.8	7	1010	89.5	91.2	90.5	88	N	0.3	132
	1770	132S		22.2	280	340	19.6	9.8	7.8	920	89.5	90	89.3	79	H	0.462	153
10	1165	132M	7.5	33.8	300	380	22.4	11.2	9	840	89.5	90.3	89.3	77	H	0.636	159
	3530	132S		15	310	370	23	11.5	9.2	850	90.2	90.7	89.8	91	N	0.3	156
	1770	132M		29.9	280	370	26.2	13.1	10.5	860	89.5	90	89.3	80	H	0.574	163
15	1165	160M	11	45.4	440	330	26.2	13.1	10.5	770	89.5	90.6	90.3	80	H	1.15	221
	3550	160M		22	240	300	35.2	17.6	14.1	830	91	91.3	90.4	86	N	0.7	212
	1765	160M		43.9	230	350	38	19	15.2	800	91	91.5	90.5	80	H	0.909	234
20	1165	160L	15	66.6	280	350	37.4	18.7	15	820	90.2	91.1	90.8	82	H	1.53	276
	3540	160M		29	230	300	46.4	23.2	18.6	820	91	91.7	91.3	89	H	0.8	227
	1765	160L		59.9	260	380	51.8	25.9	20.7	820	91	91.7	91.1	80	N	1.12	278
25	1175	180L	18.5	90	330	280	51.6	25.8	20.6	720	90.2	90.6	89.6	81	H	3.51	375
	3540	160L		36	240	340	56.2	28.1	22.5	900	91.7	92.5	92.4	90	N	1.05	260
	1775	180M		73.4	320	400	59.2	29.6	23.7	870	92.4	92.5	91.4	85	H	2.22	373
30	1189	200L	22	109.2	240	260	62	31	24.8	670	91.7	91.9	90.4	81	H	7.98	624
	3550	180M		43	280	330	69.2	34.6	27.7	870	91.7	92.1	91.2	87	N	1.3	345
	1770	180L		87.6	340	350	69.4	34.7	27.8	850	92.4	92.8	92.2	86	H	2.3	397
40	1188	200L	30	129.9	240	250	74	37	29.6	660	91.7	92.2	91.1	82	H	9.09	649
	3566	200L		59	290	320	90	45	36	850	92.4	92.8	92.1	90	N	2.47	585
	1776	200L		118.8	220	250	92	46	36.8	630	93	94.1	94	87	H	4.94	629
50	1190	225M	37	177.1	210	240	98	49	39.2	710	93	93.5	92.8	83	H	13.08	836
	3560	200L		73.7	220	280	112	56	44.8	760	93	93.6	93.7	89	N	3.91	624
	1786	225S		147	260	320	116	58	46.4	850	93.6	94	93.4	86	H	7.82	812
60	1193	250M	45	220	240	310	124	62	49.6	840	93	93.5	93	81	H	22.1	1010
	3576	225M		88.1	250	320	138	69	55.2	810	93.6	94.1	93.7	87	N	4.39	838
	1785	225M		176.5	250	310	140	70	56	850	93.6	94.1	93.3	86	H	8.77	871
75	1193	280S	55	264	220	250	146	73	58.4	760	93.7	93.7	92.7	83	H	30.21	1504
	3571	250M		110.3	200	300	164	82	65.6	770	93.6	94.2	94.1	90	N	6.3	1085
	1784	250M		220.7	220	270	164	82	65.6	640	94.1	94.1	93.2	90	H	12.6	1054
100	1193	280M	75	324.6	240	260	182	91	72.8	800	93.6	95	94.2	81	H	46.73	1639
	3581	280S		146.6	190	300	222	111	88.8	800	94.1	94.5	94.4	90	N	10.92	1444
	1789	280S		293.5	200	240	222	111	88.8	760	94.5	95.4	94.9	90	H	21.85	1495
125	1193	315S	90	440	260	280	246	123	98.4	600	94.5	94.6	93.9	81	H	46.59	2168
	3581	280M		183.2	190	300	264	132	105.6	800	95	95	94.2	90	N	11.96	1517
	1790	280M		354.1	240	290	268	134	107.2	820	94.5	95.7	95.5	89	H	23.93	1544
150	1194	315M	110	531.1	290	290	294	147	117.6	720	94.6	95	94.3	81	H	54.23	2366
	3571	250M		440	230	270	322	161	128.8	760	95	95.5	95.4	90	H	29.51	1996
	1789	315S		660	270	280	354	177	141.6	850	95	95.2	94.6	82	H	67.15	2604
220	1789	315M	160	646	240	280	468	234	188	840	95.5	96.0	96.2	90	H	41.3	2310

METRIC IEC Standard (40M Series) and High Efficiency (20M Series)
IM B3 Footed IEC56-180

Mounting Dimensions

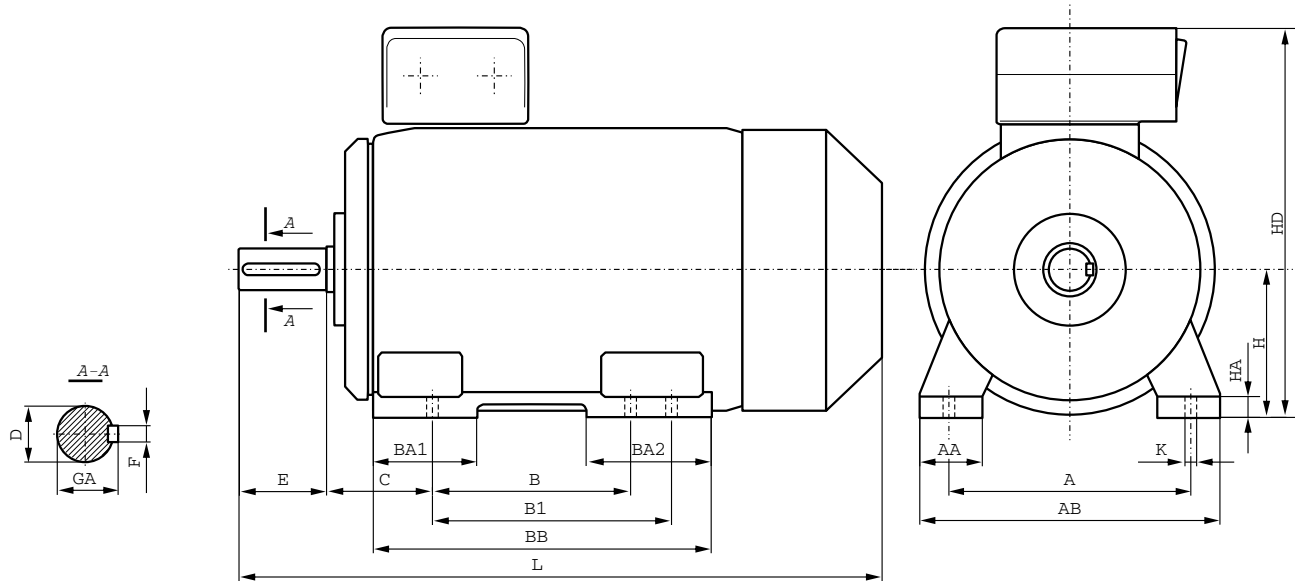


Series	Frame	A	B	C	D	E	F	GA	H	HA	K	AA	AB	BB	HD	L
40M	Sg 56-2A	90	71	36	9	20	3	10.2	56	7	5.8	30	110	92	154	188
40M	Sg 56-4A	90	71	36	9	20	3	10.2	56	7	5.8	30	110	92	154	149*
40M	Sg 56-2B	90	71	36	9	20	3	10.2	56	7	5.8	30	110	92	154	196
40M	Sg 56-4B	90	71	36	9	20	3	10.2	56	7	5.8	30	110	92	154	157*
40M	Sg 56-6B	90	71	36	9	20	3	10.2	56	7	5.8	30	110	92	154	196
40M	Sg 63-...A	100	80	40	11	23	4	12.5	63	8.5	7	36	124	106	165	202
40M	Sg 63-...B	100	80	40	11	23	4	12.5	63	8.5	7	36	124	106	165	214
40M	Sh 71-...A	112	90	45	14	30	5	16	71	8	7	45	142	116	182	223
40M	Sh 71-...B	112	90	45	14	30	5	16	71	8	7	45	142	116	182	245
40M	Sh 80-...A	125	100	50	19	40	6	21.5	80	9	10	55	160	130	200	266
40M	Sh 80-...B	125	100	50	19	40	6	21.5	80	9	10	55	160	130	200	278
20M	2SIE 90S -2,4,6	140	100	56	24j6	50	8h9	27	90	10	50	170	153	153	220	330
20M	2SIE 90L - 2	140	125	56	24j6	50	8h9	27	90	10	50	170	153	153	220	330
20M	2SIE 90L -4,6	140	125	56	24j6	50	8h9	27	90	10	50	170	153	153	220	355
20M	2SIE 100L -2,4A	160	140	63	28j6	60	8h9	31	100	12	45	200	172	172	240	420
20M	2SIE 100L -4B	160	140	63	28j6	60	8h9	31	100	12	45	200	172	172	240	440
20M	2SIE 100L -6	160	140	63	28j6	60	8h9	31	100	12	45	200	172	172	240	376
20M	2SIE 112M - 2,6	190	140	70	28j6	60	8h9	31	112	12	54	230	174	174	276	384
20M	2SIE 112M-4	190	140	70	28j6	60	8h9	35	112	12	54	230	174	174	276	411
20M	2SIE 132S -2A,6	216	140	89	38k6	80	10h9	41	132	12	56	278	182	182	310	463
20M	2SIE 132S -2B,4	216	140	89	38k6	80	10h9	41	132	12	56	278	220	220	310	501
20M	2SIE 132M -4,6A,6B	216	178	89	38k6	80	10h9	41	132	12	56	278	220	220	310	501
20M	2SIE 160M -2A,2B,4,6	254	210	108	42k6	110	12h9	45	160	15	60	305	256	256	370	612
20M	2SIE 160L -2,4,6	254	254	108	42k6	110	12h9	45	160	15	60	305	300	300	370	656
20M	2SIE 180M -2,4	279	241	121	48k6	110	14h9	51.5	180	15	70	350	320	320	408	705
20M	2SIE 180L -4,6	279	279	121	48k6	110	14h9	51.5	180	15	70	350	320	320	408	705

Units in millimeters and (...) regards all RPMs (2p=2,4,6).

METRIC IEC High Efficiency 20M Series – IM B3 Footed IEC200-355

Mounting Dimensions

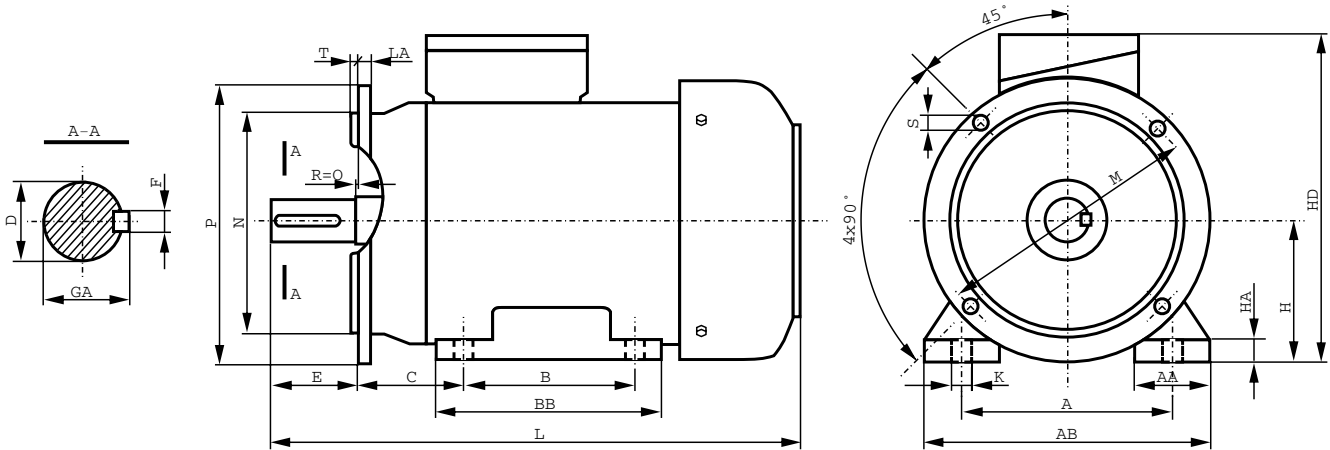


Frame	A	B	B1	C	D	E	F	GA	H	HA	K	AA	AB	BA1	BA2	BB	HD	L
2SIE 200	318	305	–	133	55	110	16	59	200	32	19	80	400	113	113	380	520	850
2SIE 225 S4	356	286	311	149	60	140	18	64	225	34	19	85	440	115	115	380	570	960
2SIE 225 M2	356	286	311	149	55	110	16	59	225	34	19	85	440	115	115	380	570	930
2SIE 225 M4-6	356	286	311	149	60	140	18	64	225	34	19	85	440	115	115	380	570	960
2SIE 250 M2	406	349	–	168	60	140	18	64	250	37	24	90	480	135	135	445	635	1010
2SIE 250 M4-6	406	349	–	168	65	140	18	69	250	37	24	90	480	135	135	445	635	1040
2SIE 280 S2	457	368	419	190	65	140	18	69	280	40	24	105	550	130	165	520	720	1135
2SIE 280 S4-6	457	368	419	190	75	140	20	79.5	280	40	24	105	550	130	165	520	720	1135
2SIE 280 M2	457	368	419	190	65	140	18	69	280	40	24	105	550	130	165	520	720	1135
2SIE 280 M4-6	457	368	419	190	75	140	20	79.5	280	40	24	105	550	130	165	520	720	1135
2SIE 315 S2	508	406	457	216	65	140	18	69	315	48	28	135	610	135	205	600	805	1325
2SIE 315 S4-6	508	406	457	216	80	170	22	85	315	48	28	135	610	135	205	600	805	1355
2SIE 315 M2A,B,C,D	508	406	457	216	65	140	18	69	315	48	28	135	610	135	205	600	805	1325
2SIE 315 M4-6A,B,C,D	508	406	457	216	80	170	22	85	315	48	28	135	610	135	205	600	805	1355
2SIE 315 ML (4,6)	508	457	508	216	80	170	22	85	315	40	28	120	620	150	180	637	865	1345
2SIE 355 ML (2)	610	560	630	254	80	170	22	85	355	50	28	150	720	250	300	890	935	1580
2SIE 355 ML (4,6)	610	560	630	254	100	210	28	106	355	50	28	150	720	250	300	890	935	1620
2SIE 355 H (2)	610	900	–	200	70	140	20	74.5	355	45	28	160	730	265	265	1045	995	1800
2SIE 355 H (4,6)	610	900	–	200	100	210	28	106	355	45	28	160	730	265	265	1045	995	1870

Units in millimeters and (...) regards all RPMs (2p=2,4,6).

METRIC IEC Standard (40M Series) and High Efficiency (20M Series)
IM B35 D-Flange IEC56-180

Mounting Dimensions

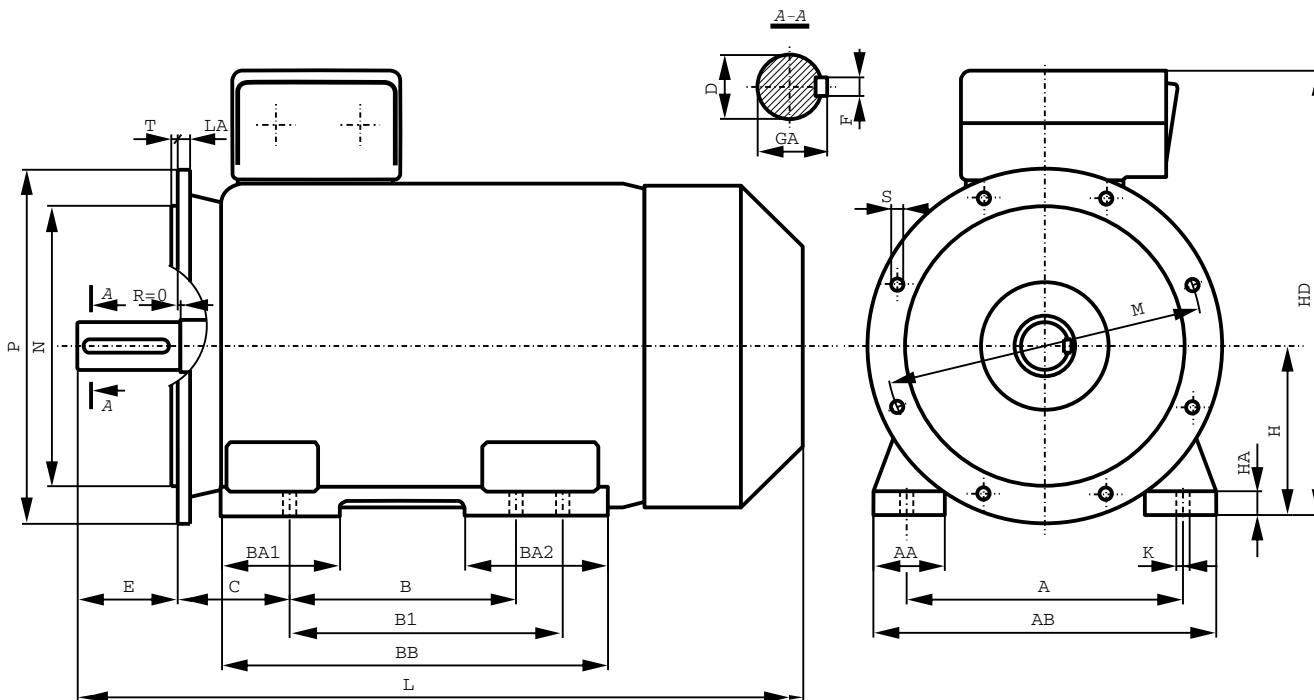


Series	Frame	A	B	C	D	E	F	GA	H	K	M	N	P	S	LA	T	AA	AB	BB	HA	HD
40M	SLg 56-2A	90	71	36	9	20	3	10.2	56	8	100	80	120	7	8	3	30	110	92	7	154
40M	SLg 56-4A	90	71	36	9	20	3	10.2	56	8	100	80	120	7	8	3	30	110	92	7	154
40M	SLg 56-2B	90	71	36	9	20	3	10.2	56	8	100	80	120	7	8	3	30	110	92	7	154
40M	SLg 56-4B	90	71	36	9	20	3	10.2	56	8	100	80	120	7	8	3	30	110	92	7	154
40M	SLg 56-6B	90	71	36	9	20	3	10.2	56	8	100	80	120	7	8	3	30	110	92	7	154
40M	SLg 63-A	100	80	40	11	23	4	12.5	63	10	115	95	140	10	9	3	36	124	106	8.5	165
40M	SLg 63...B	100	80	40	11	23	4	12.5	63	10	115	95	140	10	9	3	36	124	106	8.5	165
40M	SLh 71...A	112	90	45	14	30	5	16	71	10	130	110	160	10	9	3.5	45	142	116	8	182
40M	SLh 71...B	112	90	45	14	30	5	16	71	10	130	110	160	10	9	3.5	45	142	116	8	182
40M	SLh 80...A	125	100	50	19	40	6	21.5	80	10	165	130	200	12	10	3.5	55	160	130	9	200
40M	SLh 80...B	125	100	50	19	40	6	21.5	80	10	165	130	200	12	10	3.5	55	160	130	9	200
20M	2SIEL 90S-2,4,6	140	100	56	24j6	50	8h9	27	90	10	165	130j6	200	12	8	3.5	50	170	153	10	220
20M	2SIEL 90L-2	140	125	56	24j6	50	8h9	27	90	10	165	130j6	200	12	8	3.5	50	170	153	10	220
20M	2SIEL 90L-4,6	140	125	56	24j6	50	8h9	27	90	10	165	130j6	200	12	8	3.5	50	170	153	10	220
20M	2SIEL 100L-2,4A	160	140	63	28j6	60	8h9	31	100	12	215	180j6	250	15	11	4	45	200	172	14	240
20M	2SIEL 100L-4B	160	140	63	28j6	60	8h9	31	100	12	215	180j6	250	15	11	4	45	200	172	14	240
20M	2SIEL 100L-6	160	140	63	28j6	60	8h9	31	100	12	215	180j6	250	15	11	4	45	200	172	14	240
20M	2SIEL 112M-2,6	190	140	70	28j6	60	8h9	31	112	12	215	180j6	250	15	12	4	54	230	174	14	276
20M	2SIEL 112M-4	190	140	70	28j6	60	8h9	31	112	12	215	180j6	250	15	12	4	54	230	174	14	276
20M	2SIEL 132S-2A,6	216	140	89	38k6	80	10h9	41	132	12	265	230j6	300	15	12	4	56	278	182	16	310
20M	2SIEL 132S-2B,4	216	140	89	38k6	80	10h9	41	132	12	265	230j6	300	15	12	4	56	278	220	16	310
20M	2SIEL 132M-4,6A,6B	216	178	89	38k6	80	10h9	41	132	12	265	230j6	300	15	12	4	56	278	220	16	310
20M	2SIEL 160M-2A,2B,4,6	254	210	108	42k6	110	12h9	45	160	15	300	250j6	350	19	13	5	60	305	256	20	370
20M	2SIEL 160L-2,4,6	254	254	108	42k6	110	12h9	45	160	15	300	250j6	350	19	13	5	60	305	300	20	370
20M	2SIEL 180M-2,4	279	241	121	48k6	110	14h9	51.5	180	15	300	250j6	350	19	13	5	70	350	320	26	408
20M	2SIEL 180L-4,6	279	279	121	48k6	110	14h9	51.5	180	15	300	250j6	350	19	13	5	70	350	320	26	408

Units in millimeters and (...) regards all RPMs (2p=2,4,6).

METRIC IEC High Efficiency 20M Series – IM B35 D-Flange IEC200-355

Mounting Dimensions

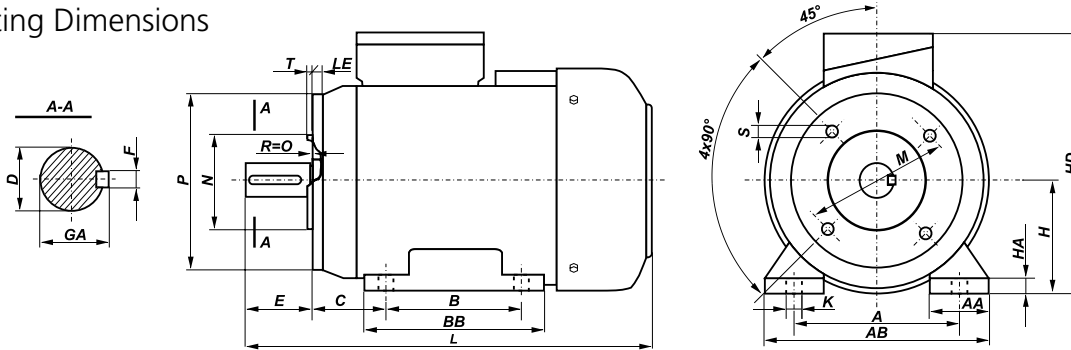


Frame	A	B	B1	C	D	E	F	GA	H	HA	K	AA	AB	BA1	BA2	BB	HD	LA	P	M	N	S	T	L
2SIEL 200	318	305	-	133	55	110	16	59	200	32	19	80	400	113	113	380	520	16.5	400	350	300	19	5	850
2SIEL 225S4	356	286	311	149	60	140	18	64	225	34	19	85	440	115	115	380	570	18	450	400	350	19	5	960
2SIEL 225M2	356	286	311	149	55	110	16	59	225	34	19	85	440	115	115	380	570	18	450	400	350	19	5	930
2SIEL 225M4-6	356	286	311	149	60	140	18	64	225	34	19	85	440	115	115	380	570	18	450	400	350	19	5	960
2SIEL 250M2	406	349	-	168	60	140	18	64	250	37	24	90	480	135	135	445	635	23	550	500	450	19	5	1010
2SIEL 250M4-6	406	349	-	168	65	140	18	69	250	37	24	90	480	135	135	445	635	23	550	500	450	19	5	1040
2SIEL 280S2	457	368	419	190	65	140	18	69	280	40	24	105	550	130	165	520	720	23	550	500	450	19	5	1135
2SIEL 280S4-6	457	368	419	190	75	140	20	79.5	280	40	24	105	550	130	165	520	720	23	550	500	450	19	5	1135
2SIEL 280M2	457	368	419	190	65	140	18	69	280	40	24	105	550	130	165	520	720	23	550	500	450	19	5	1135
2SIEL 280M4-6	457	368	419	190	75	140	20	79.5	280	40	24	105	550	130	165	520	720	23	550	500	450	19	5	1135
2SIEL 315S2	508	406	457	216	65	140	18	69	315	48	28	135	610	135	205	600	805	23	660	600	550	24	6	1325
2SIEL 315S4-6	508	406	457	216	80	170	22	85	315	48	28	135	610	135	205	600	805	23	660	600	550	24	6	1355
2SIEL 315M2A;B;C;D	508	406	457	216	65	140	18	69	315	48	28	135	610	135	205	600	805	23	660	600	550	24	6	1325
2SIEL 315M4-6A;B;C;D	508	406	457	216	80	170	22	85	315	48	28	135	610	135	205	600	805	23	660	600	550	24	6	1355
2SIEL 315ML (4,6)	508	457	508	216	80	170	22	85	315	40	28	120	620	150	180	637	865	22	660	600	550	22	6	1345
2SIEL 355ML -2	610	560	630	254	80	170	22	85	355	50	28	150	720	250	300	890	935	24	800	740	680	22	6	1580
2SIEL 355ML (4,6)	610	560	630	254	100	210	28	106	355	50	28	150	720	250	300	890	935	24	800	740	680	22	6	1620
2SIEL 355H -2	610	900	-	254	70	140	20	74.5	355	45	28	160	730	265	265	1045	995	24	800	740	680	22	6	1854
2SIEL 355H (4,6)	610	900	-	254	100	210	28	106	355	45	28	160	730	265	265	1045	995	24	800	740	680	22	6	1924

Units in millimeters and (...) regards all RPMs (2p=2,4,6).

METRIC IEC Standard (40M Series) and High Efficiency (20M Series) IM B34 & B34/1 C-Face IEC56-160

Mounting Dimensions



Series	Frame	Flange	A	B	C	D	E	F	GA	H	HA	K	M	N	P	S	LE	T	AA	AB	BB	HD	L
40M	SLg 56-2A1	B34/1	90	71	36	9	20	3	10.2	56	7	8	85	70	105	M6	15	2.5	30	110	92	154	188
40M	SLg 56-2A2	B34	90	71	36	9	20	3	10.2	56	7	8	65	50	80	M5	12.5	2.5	30	110	92	154	188
40M	SLg 56-4A1	B34/1	90	71	36	9	20	3	10.2	56	7	8	85	70	105	M6	15	2.5	30	110	92	154	149*
40M	SLg 56-4A2	B34	90	71	36	9	20	3	10.2	56	7	8	65	50	80	M5	12.5	2.5	30	110	92	154	149*
40M	SLg 56-2B1	B34/1	90	71	36	9	20	3	10.2	56	7	8	85	70	105	M6	15	2.5	30	110	92	154	196
40M	SLg 56-2B2	B34	90	71	36	9	20	3	10.2	56	7	8	65	50	80	M5	12.5	2.5	30	110	92	154	196
40M	SLg 56-4B1	B34/1	90	71	36	9	20	3	10.2	56	7	8	85	70	105	M6	15	2.5	30	110	92	154	157*
40M	SLg 56-4B2	B34	90	71	36	9	20	3	10.2	56	7	8	65	50	80	M5	12.5	2.5	30	110	92	154	157*
40M	SLg 56-6B1	B34/1	90	71	36	9	20	3	10.2	56	7	8	85	70	105	M6	15	2.5	30	110	92	154	196
40M	SLg 56-6B2	B34	90	71	36	9	20	3	10.2	56	7	8	65	50	80	M5	12.5	2.5	30	110	92	154	196
40M	SLg 63-...A1	B34/1	100	80	40	11	23	4	12.5	63	8.5	10	100	80	120	M6	14	3	36	124	106	165	202
40M	SLg 63-...A2	B34	100	80	40	11	23	4	12.5	63	8.5	10	75	60	90	M5	9.5	2.5	36	124	106	165	202
40M	SLg 63-...B1	B34/1	100	80	40	11	23	4	12.5	63	8.5	10	100	80	120	M6	14	3	36	124	106	165	214
40M	SLg 63-...B2	B34	100	80	40	11	23	4	12.5	63	8.5	10	75	60	90	M5	9.5	2.5	36	124	106	165	214
40M	SLh 71-...A1	B34/1	112	90	45	14	30	5	16	71	8	10	115	95	140	M8	14	3	45	142	116	182	223
40M	SLh 71-...A2	B34	112	90	45	14	30	5	16	71	8	10	85	70	105	M6	12	2.5	45	142	116	182	223
40M	SLh 71-...B1	B34/1	112	90	45	14	30	5	16	71	8	10	115	95	140	M8	14	3	45	142	116	182	245
40M	SLh 71-...B2	B34	112	90	45	14	30	5	16	71	8	10	85	70	105	M6	12	2.5	45	142	116	182	245
40M	SLh 80-...A1	B34/1	125	100	50	19	40	6	21.5	80	9	10	130	110	160	M8	14	3.5	55	160	130	200	266
40M	SLh 80-...A2	B34	125	100	50	19	40	6	21.5	80	9	10	100	80	120	M6	12	3	55	160	130	200	266
40M	SLh 80-...B1	B34/1	125	100	50	19	40	6	21.5	80	9	10	130	110	160	M8	14	3.5	55	160	130	200	278
40M	SLh 80-...B2	B34	125	100	50	19	40	6	21.5	80	9	10	100	80	120	M6	12	3	55	160	130	195	278
20M	2SIEL 90S 2,4,6	B34/1	140	100	56	24j6	50	8h9	27	90	10	10	130	110j6	160	M8	10	3.5	41	170	153	228	331
20M	2SIEL 90S 2,4,6	B34	140	100	56	24j6	50	8h9	27	90	10	10	115	95j6	140	M8	10	3	41	170	153	228	331
20M	2SIEL 90L 2	B34/1	140	125	56	24j6	50	8h9	27	90	10	10	130	110j6	160	M8	10	3.5	41	170	153	228	331
20M	2SIEL 90L 2	B34	140	125	56	24j6	50	8h9	27	90	10	10	115	95j6	140	M8	10	3	41	170	153	228	331
20M	2SIEL 90L 4,6	B34/1	140	125	56	24j6	50	8h9	27	90	10	10	130	110j6	160	M8	10	3.5	41	170	153	228	356
20M	2SIEL 90L 4,6	B34	140	125	56	24j6	50	8h9	27	90	10	10	115	95j6	140	M8	10	3	41	170	153	228	356
20M	2SIEL 100L 2,6	B34/1	160	140	63	28j6	60	8h9	31	100	14	12	165	130j6	200	M10	12	3.5	44	197	174	250	377
20M	2SIEL 100L 2,6	B34	160	140	63	28j6	60	8h9	31	100	14	12	130	110j6	160	M8	12	3.5	44	197	174	250	377
20M	2SIEL 100L 4A	B34/1	160	140	63	28j6	60	8h9	31	100	14	12	165	130j6	200	M10	12	3.5	44	197	174	250	421
20M	2SIEL 100L 4A	B34	160	140	63	28j6	60	8h9	31	100	14	12	130	110j6	160	M8	12	3.5	44	197	174	250	421
20M	2SIEL 100L 4B	B34/1	160	140	63	28j6	60	8h9	31	100	14	12	165	130j6	200	M10	12	3.5	44	197	174	250	421
20M	2SIEL 100L 4B	B34	160	140	63	28j6	60	8h9	31	100	14	12	130	110j6	160	M8	12	3.5	44	197	174	250	421
20M	2SIEL 112M 2,6	B34/1	190	140	70	28j6	60	8h9	31	112	14	12	165	130j6	200	M10	12	3.5	49	230	174	276	389
20M	2SIEL 112M 2,6	B34	190	140	70	28j6	60	8h9	31	112	14	12	130	110j6	160	M8	12	3.5	49	230	174	276	389
20M	2SIEL 112M 4	B34/1	190	140	70	28j6	60	8h9	31	112	14	12	165	130j6	200	M10	12	3.5	49	230	174	276	416
20M	2SIEL 112M 4	B34	190	140	70	28j6	60	8h9	31	112	14	12	130	110j6	160	M8	12	3.5	49	230	174	276	416
20M	2SIEL 132S 2A,6	B34/1	216	140	89	38j6	80	10h9	41	132	17	12	215	180j6	250	M12	12	4	62	274	182	310	461
20M	2SIEL 132S 2A,6	B34	216	140	89	38j6	80	10h9	41	132	17	12	165	130j6	200	M10	12	3.5	62	274	182	310	461
20M	2SIEL 132S 2B,4	B34/1	216	140	89	38j6	80	10h9	41	132	17	12	215	180j6	250	M12	12	4	62	274	182	310	499
20M	2SIEL 132S 2B,4	B34	216	140	89	38j6	80	10h9	41	132	17	12	165	130j6	200	M10	12	3.5	62	274	182	310	499
20M	2SIEL 132M 4,6A,6B	B34/1	216	178	89	38j6	80	10h9	41	132	17	12	215	180j6	250	M12	12	4	62	274	220	310	499
20M	2SIEL 132M 4,6A,6B	B34	216	178	89	38j6	80	10h9	41	132	17	12	165	130j6	200	M10	12	3.5	62	274	220	310	499
20M	2SIEL 160M 2A,2B,4,6	B34/1	254	210	108	42k6	110	12h9	45	160	22	15	265	230j6	300	M12	13	4	60	305	256	365	611
20M	2SIEL 160M 2A,2B,4,6	B34	254	210	108	42k6	110	12h9	45	160	22	15	215	180j6	250	M12	20	4	60	305	256	365	611
20M	2SIEL 160L 2,4,6	B34/1	254	254	108	42k6	110	12h9	45	160	22	15	265	230j6	300	M12	13	4	60	305	300	365	655
20M	2SIEL 160L 2,4,6	B34	254	254	108	42k6	110	12h9	45	160	22	15	215	180j6	250	M12	20	4	60	305	300	365	655

Units in millimeters and (...) regards all RPMs (2p=2,4,6).

B34 is standard B14 (C-Face) flange motor with feet. B34/1 is non-standard reduction B14 (C-Face) flange motor with feet.

Premium JM/JP Pump 20J Series – 1-60 HP

Performance Data

HP	RPM	Frame	Torque			FLA			LRA		Efficiency			Power Factor			NEMA Design	Code	SF	WK ² lb ft ²	lbs
			FLT lb-ft	LRT %	BDT %	460V	575V	208V	460V	575V	FL	75%	50%	FL	75%	50%					
1	1765	143J	3	300	320	1.4	1.1	3.1	12.9	10.3	85.5	84.5	81.3	78	70	57	B	M	1.4	0.09	53
	3540	143J	2.2	350	410	2.1	1.7	4.6	20	16	84.5	83.2	79.8	78	69	57	B	M	1.4	0.07	56
1.5	1750	145J	4.5	300	400	2	1.6	4.4	16.6	13.3	87	86.8	85	79	72	59	B	K	1.4	0.1	57
	3525	145J	3	360	400	2.7	2.2	6.0	25.4	20.3	86	85.7	83.3	82	75	62	B	L	1.4	0.08	57
2	1745	145J	6	260	340	2.6	2.1	5.8	19.2	15.4	86.5	87.1	85.8	83	77	64	B	J	1.4	0.13	59
	3500	182J	4.5	310	320	4	3.2	8.8	32	25.6	86.5	86.4	84.4	82	76	65	B	K	1.4	0.12	76
3	1775	182J	8.9	320	400	4.2	3.4	9.3	38	30.4	89.5	88.5	85.8	75	67	54	A	M	1.4	0.27	102
	3535	184J	7.4	450	530	6.2	5.0	13.7	73	58.4	89	88.6	86.7	85	80	68	A	N	1.4	0.2	102
5	1770	184J	14.8	300	380	6.7	5.4	14.8	61	48.8	89.5	89.2	87.6	78	71	58	A	L	1.3	0.34	108
	3525	213J	11.2	290	315	8.5	6.8	18.8	76	60.8	90	90	88.7	92	89	81	A	K	1.3	0.45	159
7.5	1765	213J	22.3	240	290	9.3	7.4	20.6	71	56.8	91.7	91.6	90.5	82	78	67	A	J	1.3	0.87	167
	3535	215J	14.8	300	335	11.4	9.1	25.2	93	74.4	90.2	90.4	89.3	91	88	80	A	J	1.3	0.5	173
10	1770	215J	29.6	230	280	12.5	10.0	27.6	87	69.6	91.7	91.7	90.4	82	77	66	A	H	1.3	0.99	185
	3540	254J	22.3	240	250	17.6	14.1	38.9	112	90	91.7	91.8	90.5	87	85	77	B	G	1.3	1.15	258
15	1775	254J	44.3	380	440	17.3	13.8	38.3	168	134.4	92.4	92	90.7	88	84	76	A	K	1.3	2.89	301
	3540	256J	29.7	230	260	22.9	18.3	50.6	138	110	92	92.4	91.7	89	88	82	B	F	1.3	1.47	306
20	1775	256J	59.1	380	450	22.9	18.3	50.6	230	184	93	92.7	91.4	88	84	76	A	L	1.2	3.57	390
	3555	284J	36.9	260	300	29.5	23.6	65.2	205	164	92.4	92.4	91.3	86	82	74	A	H	1.2	1.72	348
25	1780	284J	73.7	380	420	30.5	24.4	67.5	300	240	93.6	93.1	91.6	82	76	66	A	L	1.2	3.59	397
	3540	286J	44.5	250	300	35.2	28.2	77.8	215	172	91.7	92	91.2	87	85	80	A	G	1.2	1.92	390
30	1780	286J	88.4	370	390	37.5	30.0	82.9	350	280	93.6	93	91.3	80	73	61	A	L	1.2	3.84	441
	3552	324J	59	145	200	44	35	97.3	290	232	93	93.6	93.3	92	91	88	B	G	1.2	4	608
40	1780	324J	118	240	270	45	36	99.5	290	232	94.1	94.7	94.3	88	86	78	B	G	1.3	9.3	690
	3552	326J	74	145	200	55	44	121.6	362	290	93	93.7	93.5	92	92	89	B	G	1.2	4.7	655
50	1781	326J	148	250	270	56	45	123.8	362	290	94.5	95.1	94.9	88	85	78	B	G	1.3	11.6	769
	3562	364J	88.5	125	200	65	52	143.8	435	348	93.6	94.1	93.8	92	91	87	B	G	1.2	6.5	860
60	1786	364J	177	140	200	67	54	148.2	435	348	95	95.6	95.3	88	87	80	B	G	1.2	15.5	926

JM/JP Pump Progressive TEFC Replacement ODP Motors – 1-30 HP

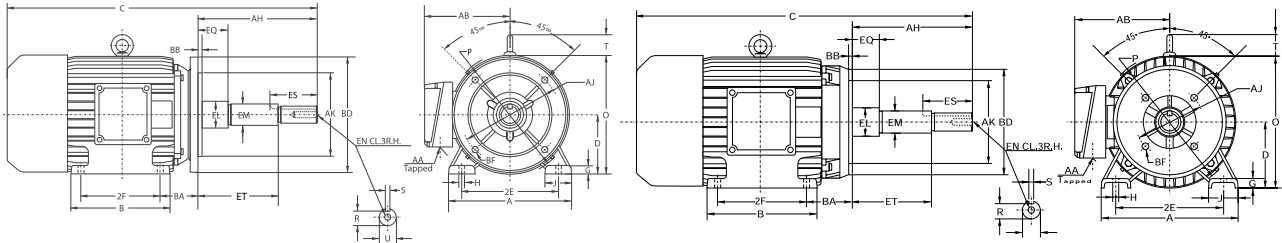
Performance Data

HP	RPM	Frame	Torque			FLA		LRA		Efficiency			Power Factor			NEMA Design	Code	SF	WK ² lb ft ²	lbs
			FLT lb-ft	LRT %	BDT %	230V	460V	230V	460V	FL	75%	50%	FL	75%	50%					
1.5	1745	143J	4.5	200	210	3.8	1.9	25	12.5	84	83	79.8	86	78	65	B	H	1	0.1	57
	3495	143J	3.0	270	310	5.4	2.7	40.6	20.3	84	83.2	79.8	84	75	63	B	K	1	0.08	57
2	1745	145J	6.0	220	300	5	2.5	33	16.5	84	84.3	82.8	88	81	69	B	H	1	0.13	59
	3470	145J	4.6	240	270	7.4	3.7	51	25.5	85.5	85.7	83.3	89	82	70	B	H	1	0.12	76
3	1750	182J	15.0	190	240	12.8	6.4	76.8	38.4	87.5	86.5	83.8	84	76	63	B	G	1	0.34	108
	3490	184J	11.3	300	350	17.8	8.9	146	73	88.5	88.6	86.7	89	84	72	B	J	1	0.45	159
5	1750	182J	15.0	190	240	12.8	6.4	76.8	38.4	87.5	86.5	83.8	84	76	63	B	G	1	0.34	108
	3490	213J	11.3	300	350	17.8	8.9	146	73	88.5	88.6	86.7	89	84	72	B	J	1	0.45	159
7.5	1750	213J	15.0	220	240	22.4	11.2	152.4	76.2	89.5	90	88.7	93	90	82	B	G	1	0.5	173
	3490	213J	30.0	170	190	23.8	11.9	142.8	71.4	89.5	89.4	88.3	88	84	73	B	G	1	0.99	185
10	3500	215J	22.5	200	220	32.8	16.4	187	93.5	90.2	90.4	89.3	95	92	84	B	E	1	1.15	258
	3500	254J	30.0	180	190	47.2	23.6	221.8	110.9	90.2	90.3	89	88	86	78	B	D	1	1.47	306
15	1760	254J	59.6	280	330	44.8	22.4	336	168	91	90.6	89.3	92	88	80	B	H	1	3.57	390
	3500	256J	37.5	180	210	57.2	28.6	274.6	137.3	91	91.7	91	90	89	83	B	D	1	1.72	348
20	1755	256J	74.7	300	360	55.6	27.8	461.4	230.7	92.4	92.7	92.4	91	77	69	B	J	1	3.59	397
	3505	284J	44.9	210	250	68.8	34.4	598.6	299.3	91.7	91.7	90.6	89	85	77	B	J	1	1.92	390

Premium JM/JP Pump 20J Series – 143JM/JP-286JM/JP
Mounting Dimensions

143JM/JP - 184JM/JP

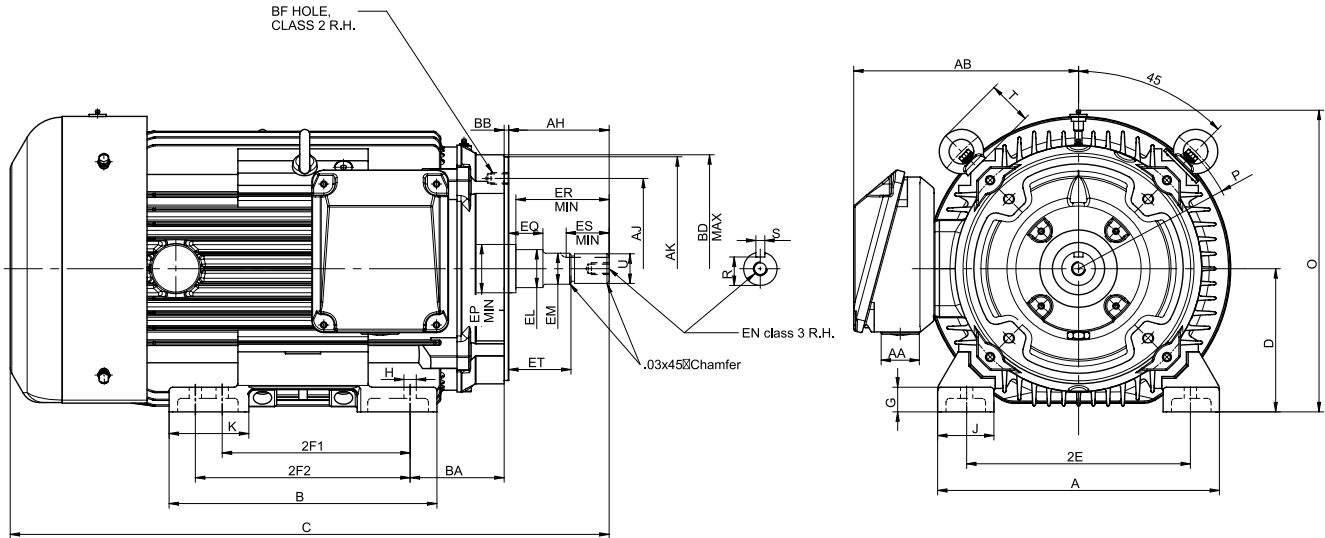
213JM/JP - 286JM/JP



Frame	U	AH	AJ	AK	BB	BD Max	BF			EL	EM	EN			Keyseat			ET	
							#	Tap Size	Bolt Penetration Allowance			Tap Size	Tap Drill Depth Max	Bolt Penetration Allowance	EQ	R	ES Min		S
143 JP	0.8745	7.343 7.281	5.875	4.500 4.497	0.156 0.125	6.50	4	3/8-16	0.56	1.156	1.0000	3/8-16	1.12	0.85	1.578 1.548	0.771 0.756	1.65	0.190 0.188	5.952 5.922
145 JP										1.248									
182 JP										1.250									
184 JP	0.8740	4.281 4.219	5.875	4.500 4.497	0.156 0.125	6.50	4	3/8-16	0.56	1.156	0.9995	3/8-16	1.12	0.85	0.640 0.610	0.771 0.756	1.65	0.190 0.188	2.890 2.860
145 JM										1.154									
182 JM										1.250									
184 JM	1.2495	8.156 8.094	7.250	8.500 8.497	0.312 0.250	9.0	4	1/2-13	0.75	1.750	1.3750	1/2-13	1.50	1	2.390 2.360	1.112 1.097	1.65	0.252 0.250	5.890 5.860
213 JP										1.748									
215 JP										1.3745									
254 JP	1.2490	8.156 8.094	7.250	12.5001 2.495	0.312 0.250	14.0	4	5/8-11	0.94	1.750	1.3750	1/2-13	1.50	1	2.390 2.360	1.112 1.097	2.53	0.252 0.250	5.895 5.855
256 JP										1.748									
284 JP										1.3745									
286 JP	0.8745	4.281 4.219	7.250	8.500 8.497	0.312 0.250	9.0	4	1/2-13	0.75	1.250	1.0000	3/8-16	1.1222	0.85	0.640 0.610	0.771 0.756	1.65	0.190 0.188	2.890 2.860
215 JM										1.248									
254 JM										1.248									
256 JM	1.2495	5.281 5.219	7.250	12.5001 2.495	0.312 0.250	10.0	4	5/8-11	0.94	1.750	1.3750	1/2-13	1.50	1	0.645 0.605	1.112 1.097	2.53	0.252 0.250	3.015 2.985
284 JM										1.748									
286 JM										1.3745									

Frame	D	2E	2F	G	H	BA	A	AA	AB	B	C	J	O	P	T
143 JP	3.50	5.50	4.00	0.39	0.34	2.36	6.62	3/4	6.50	5.83	19.41	1.66	7.48	8.27	-
145 JP	3.50	5.50	5.00	0.39	0.34	2.36	6.62	3/4	6.50	7.00	20.36	1.66	7.48	8.27	-
182 JP	4.50	7.50	4.50	0.60	0.41	2.78	9.00	1	7.90	6.74	22.42	2.13	9.09	9.53	1.77
184 JP	4.50	7.50	5.50	0.60	0.41	2.78	9.00	1	7.90	8.31	22.43	2.13	9.09	9.53	1.77
143 JM	3.50	5.50	4.00	0.39	0.34	2.36	6.62	3/4	6.50	5.83	16.35	1.66	7.48	8.27	-
145 JM	3.50	5.50	5.00	0.39	0.34	2.36	6.62	3/4	6.50	7.00	17.30	1.66	7.48	8.27	-
182 JM	4.50	7.70	4.50	0.60	0.41	2.78	9.00	1	7.90	6.74	19.36	2.13	0.09	9.53	1.77
184 JM	4.50	7.70	5.50	0.60	0.41	2.78	9.00	1	7.90	8.31	19.36	2.13	0.09	9.53	1.77
213 JP	5.25	8.50	5.50	0.72	0.41	3.80	10.24	1	8.45	8.10	27.28	2.20	10.55	10.94	1.77
215 JP	5.25	8.50	5.50	0.72	0.41	3.80	10.24	1	8.45	9.60	27.91	2.20	10.55	10.94	1.77
254 JP	6.25	10.00	8.25	0.58	0.55	4.50	12.28	1 1/4	10.08	9.92	30.24	2.36	13.18	14.17	2.08
256 JP	6.25	10.00	10.00	0.58	0.55	4.50	12.28	1 1/4	10.08	11.65	32.01	2.36	13.18	14.17	2.08
284 JP	7.00	11.00	9.50	0.89	0.55	4.95	13.78	1 1/2	10.34	11.61	34.94	2.75	14.01	14.17	2.08
286 JP	7.00	11.00	11.00	0.89	0.55	4.95	13.78	1 1/2	10.34	13.11	34.94	2.75	14.01	14.17	2.08
213 JM	5.25	8.50	5.50	0.72	0.41	3.80	10.24	1	8.45	8.10	23.88	2.20	10.55	10.94	1.77
215 JM	5.25	8.50	7.00	0.72	0.41	3.80	10.24	1	8.45	9.60	24.11	2.20	10.55	10.94	1.77
254 JM	6.25	10.00	8.25	0.58	0.55	4.50	12.28	1 1/4	10.08	9.92	27.36	2.36	13.18	14.17	2.08
256 JM	6.25	10.00	10.00	0.58	0.55	4.50	12.28	1 1/4	10.08	11.65	29.13	2.36	13.18	14.17	2.08
284 JM	7.00	11.00	9.50	0.89	0.55	4.95	13.78	1 1/2	10.34	11.61	32.06	2.75	14.01	14.17	2.08
286 JM	7.00	11.00	11.00	0.89	0.55	4.95	13.78	1 1/2	10.34	13.11	32.06	2.75	14.01	14.17	2.08

Premium JM/JP Pump 20J Series – 324JM/JP-364JM/JP
Mounting Dimensions



Frame	U	AH	AJ	AK	BB	BD Max	BF			EL	EM
							#	Tap Size	Bolt Penetration Allowance		
324 JM	1.2495-1.2490	5.281-5.219	11	12.500-12.495	0.312-0.250	14	4	5/8-11	0.94	1.750-1.748	1.3750-1.3745
326 JM	1.2495-1.2490	5.281-5.219	11	12.500-12.495	0.312-0.250	14	4	5/8-11	0.94	1.750-1.748	1.3750-1.3745
364 JM	1.6245-1.6240	5.281-5.219	11	12.500-12.495	0.312-0.250	14	4	5/8-11	0.94	1.750-1.748	1.3750-1.3745
365 JM	1.6245-1.6240	5.281-5.219	11	12.500-12.495	0.312-0.250	14	4	5/8-11	0.94	1.750-1.748	1.3750-1.3745
324 JP	1.2495-1.2490	8.156-8.094	11	12.500-12.495	0.312-0.250	14	4	5/8-11	0.94	1.750-1.748	1.3750-1.3745
326 JP	1.2495-1.2490	8.156-8.094	11	12.500-12.495	0.312-0.250	14	4	5/8-11	0.94	1.750-1.748	1.3750-1.3745
364 JP	1.6245-1.6240	8.156-8.094	11	12.500-12.495	0.312-0.250	14	4	5/8-11	0.94	2.125-2.123	1.7500-1.7495
365 JP	1.6245-1.6240	8.156-8.094	11	12.500-12.495	0.312-0.250	14	4	5/8-11	0.94	2.125-2.123	1.7500-1.7495

Frame	EN			EP Min	EQ	ER Min	Keyseat			ET
	Tap Size	Tap Drill Depth Max	Bolt Penetration Allowance				R	ES Min	S	
324 JM	1/2-13	1.5	1	2.125	0.645-0.605	5.25	1.112-1.097	2.53	0.252-0.250	3.020-2.980
326 JM	1/2-13	1.5	1	2.125	0.645-0.605	5.25	1.112-1.097	2.53	0.252-0.250	3.020-2.980
364 JM	1/2-13	1.5	1	2.756	0.645-0.605	5.25	1.112-1.097	2.53	0.252-0.250	3.020-2.980
365 JM	1/2-13	1.5	1	2.756	0.645-0.605	5.25	1.112-1.097	2.53	0.252-0.250	3.020-2.980
324 JP	1/2-13	1.5	1	2.125	2.395-2.355	8.125	1.112-1.097	2.53	0.252-0.250	5.895-5.855
326 JP	1/2-13	1.5	1	2.125	2.395-2.355	8.125	1.112-1.097	2.53	0.252-0.250	5.895-5.855
364 JP	1/2-13	1.5	1	2.5	2.395-2.355	8.125	1.416-1.401	2.53	0.377-0.375	5.895-5.855
365 JP	1/2-13	1.5	1	2.5	2.395-2.355	8.125	1.416-1.401	2.53	0.377-0.375	5.895-5.855

Frame	D	2E	2F	G	H	BA	A	AA	AB	B	C	J	O	P	T
324 JM	8.0000	12.5	10.5/-	1.38	0.66	5.25	15.8	2	12.6	15	33.38	3.15	16.9	17.9	2.5
326 JM	8.0000	12.5	10.50/12.0	1.38	0.66	5.25	15.8	2	12.6	15	33.38	3.15	16.9	17.9	2.5
364 JM	9.0000	14	11.25/-	1.49	0.66	5.88	17.5	3	13.6	15	35.42	3.35	18.7	19.9	2.5
365 JM	9.0000	14	11.25/12.25	1.49	0.66	5.88	17.5	3	13.6	15	35.42	3.35	18.7	19.9	2.5
324 JP	8.0000	12.5	10.5/-	1.38	0.66	5.25	15.8	2	12.6	15	36.26	3.15	16.9	17.9	2.5
326 JP	8.0000	12.5	10.5/12.0	1.38	0.66	5.25	15.8	2	12.6	15	36.26	3.15	16.9	17.9	2.5
364 JP	9.0000	14	11.25/-	1.49	0.66	5.88	17.5	3	13.6	15	38.3	3.35	18.7	19.9	2.5
365 JP	9.0000	14	11.25/12.25	1.49	0.66	5.88	17.5	3	13.6	15	38.3	3.35	18.7	19.9	2.5

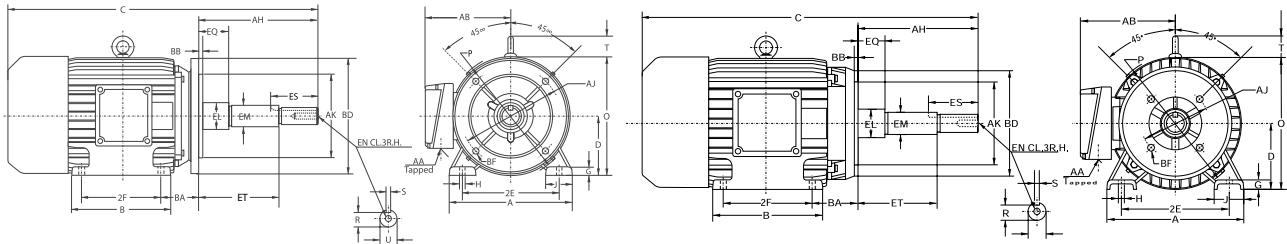
EPACT JM/JP Pump 40J Series – 1-30 HP

Performance Data and Mounting Dimensions

HP	RPM	Frame	CC#	Torque			FLA			LRA		Efficiency			Power Factor			NEMA Design	Code	SF	WK ² lb ft ²	lbs
				FLT lb-ft	LRT %	BDT %	460V	575V	208V	460V	575V	FL	75%	50%	FL	75%	50%					
1	1755	143J	CC025A	3	295	310	1.5	1.2	3.1	12	9.6	82.5	81	76.8	75	66	53	B	L	1.4	0.08	51
1.5	3500	143J	CC025A	2.2	275	320	2	1.6	4.2	16.4	13.1	82.5	81.4	77.5	87	81	72	B	K	1.3	0.06	51
	1745	145J	CC025A	4.5	265	370	2.1	1.7	4.6	15.9	12.7	84	83.2	80	79	71	59	B	K	1.4	0.09	54
2	3505	145J	CC025A	3	280	325	2.6	2	5.3	22.2	17.8	84	83.8	81.4	87	82	72	B	K	1.4	0.06	57
	1735	145J	CC025A	6.1	240	330	2.7	2.2	5.8	18.4	14.7	84	84	82	82	76	65	B	J	1.4	0.11	56
3	3510	182J	CC025A	4.5	220	280	3.8	3.1	8.9	27.6	22.1	85.5	84.8	82.1	86	80	71	B	J	1.4	0.12	75
	1745	182J	CC025A	9	260	380	3.9	3.1	8.8	30.8	24.6	87.5	87.3	85.1	82	76	64	B	K	1.3	0.24	86
5	3500	184J	CC025A	7.5	225	280	6.2	4.9	13.4	44	35.2	87.5	87.8	86.3	87	85	75	B	H	1.4	0.2	101
	1735	184J	CC025A	15.1	250	320	6.2	5	13.8	45	36	87.5	88.7	86.9	86	81	70	B	J	1.3	0.34	103
7.5	3500	213J	CC025A	11.3	220	350	8.6	6.9	18.6	56	44.8	88.5	89	88.2	92	89	83	B	G	1.3	0.36	138
25	3525	284J	CC025A	37.3	260	230	29.5	23.7	65.2	178	142.4	91	91.8	91.5	87	86	79	B	G	1.15	1.63	335
	1760	284J	CC025A	74.6	230	230	28	22.3	61.7	173	138.4	92.4	93.2	93.2	91	89	84	B	F	1.15	3.19	357
30	3535	286J	CC025A	44.6	245	290	35.1	28.1	76.1	200	160	91	91.3	90.5	88	86	82	B	F	1.15	1.92	388
	1755	286J	CC025A	89.8	235	230	33.2	26.4	75.2	212	169.6	92.4	93.3	93.4	92	90	85	B	G	1.15	3.59	395

143JM/JP - 184JM/JP

213JM/JP - 286JM/JP



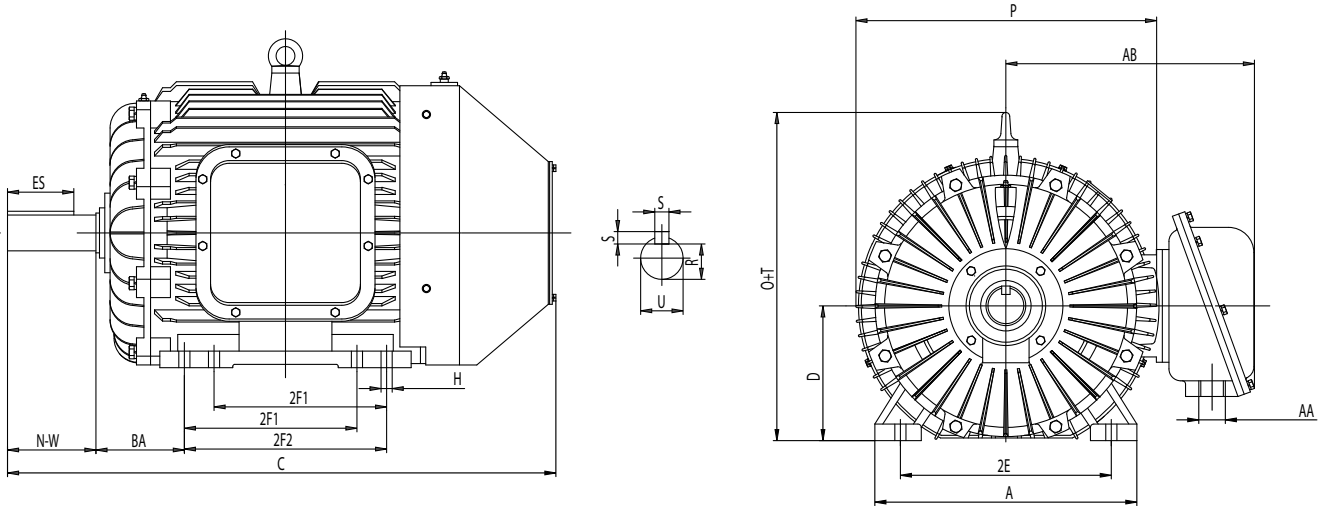
Frame	U	AH	AJ	AK	BB	BD Max	BF			EL	EM	EN			EQ	Keyseat			ET	
							#	Tap Size	Bolt Penetration Allowance			Tap Size	Tap Drill Depth Max	Bolt Penetration Allowance		R	ES Min	S		
143 JP	0.8745 0.8740	7.343 7.281	5.875	4.500	0.156	6.50	4	3/8-16	0.56	1.156	1.0000	3/8-16	1.12	0.85	1.578 1.548	0.771 0.756	1.65	0.190 0.188	5.952 5.922	
145 JP				4.497	0.125					1.154										0.9995
182 JP				4.497	0.125					1.250										0.9995
184 JP				4.497	0.125					1.248										0.9995
213 JP	1.2495 1.2490	8.156 8.094	7.250	8.500	0.312	9.0	4	1/2-13	0.75	1.750	1.3750	3/8-16	1.12	0.85	2.390 2.360	1.112 1.097	1.65	0.252 0.250	5.890 5.860	
284 JP				8.497	0.250					1.748										1.3745
286 JP				2.495	0.250					1.748										1.3745
143 JM	0.8745 0.8740	4.281 4.219	5.875	4.500	0.156	6.50	4	3/8-16	0.56	1.156	1.0000	3/8-16	1.12	0.85	0.640 0.610	0.771 0.756	1.65	0.190 0.188	2.890 2.860	
145 JM				4.497	0.125					1.154										0.9995
182 JM	4.497	0.125	1.250	0.9995																
284 JM	1.2495 1.2490	5.281 5.219	11.00	12.5001 2.495	0.312 0.250	14.0	4	5/8-11	0.94	1.750 1.748	1.3750 1.3745	1/2-13	1.50	1	0.645 0.605	1.112 1.097	2.53	0.252 0.250	3.020 2.980	

Frame	D	2E	2F	G	H	BA	A	AA	AB	B	C	J	O	P	T
143 JP	3.50	5.50	4.00	0.39	0.34	2.36	6.62	3/4	6.50	5.83	18.24	1.66	7.48	8.27	-
145 JP	3.50	5.50	5.00	0.39	0.34	2.36	6.62	3/4	6.50	7.00	19.41	1.66	7.48	8.27	-
182 JP	4.50	7.50	4.50	0.60	0.41	2.78	9.00	1	7.90	6.74	19.82	2.13	9.09	9.53	1.77
184 JP	4.50	7.50	5.50	0.60	0.41	2.78	9.00	1	7.90	8.31	21.44	2.13	9.09	9.53	1.77
213 JP	5.25	8.50	5.50	0.72	0.41	3.80	10.24	1	8.45	8.10	23.80	2.20	10.55	10.94	1.77
284 JP	7.00	11.00	9.50	0.89	0.55	4.95	13.78	1 1/2	10.34	11.61	30.88	2.75	14.01	14.17	2.08
286 JP	7.00	11.00	11.00	0.89	0.55	4.95	13.78	1 1/2	10.34	13.11	32.38	2.75	14.01	14.17	2.08
143 JM	3.50	5.50	4.00	0.39	0.34	2.36	6.62	3/4	6.50	5.83	15.18	1.66	7.48	8.27	-
145 JM	3.50	5.50	5.00	0.39	0.34	2.36	6.62	3/4	6.50	7.00	16.35	1.66	7.48	8.27	-
182 JM	4.50	7.70	4.50	0.60	0.41	2.78	9.00	1	7.90	6.74	16.76	2.13	0.09	9.53	1.77
284 JM	7.00	11.00	9.50	0.89	0.55	4.95	13.78	1 1/2	10.34	11.61	28.00	2.75	14.01	14.17	2.08

Design D – 3-100 HP

Performance Data and Mounting Dimensions

HP	RPM	Frame	Slip %	Torque			FLA		LRA		Full Load		Noise Lp dB(A)	SF	lbs
				FLT lb-ft	LRT %	BDT %	460V	230V	460V	230V	EFF	Power Factor			
3	1094	213T	8.82	14.39	250	239	5.0	10.0	21.1	42.2	80.3	69	56	1.15	179
5	1079	215T	10.1	24.33	279	241	8.1	16.2	35.9	71.8	80.8	71	57	1.15	205
7.5	1095	254T	8.78	35.97	275	250	11.8	23.6	56.7	113.4	79.1	74	57	1.15	342
10	1091	256T	9.11	48.14	285	253	15.5	31.0	76.5	153.0	81.4	74	58	1.15	368
15	1123	284T	6.45	70.15	298	297	20.5	41.0	119.2	238.4	84.7	79	58	1.15	488
20	1113	286T	7.27	94.36	290	254	27.4	54.8	154.5	309.0	84.6	81	59	1.15	518
25	1117	324T	6.91	117.49	269	236	32.8	65.6	179.5	359.0	86.7	81	61	1.15	662
30	1111	326T	7.41	141.75	271	234	38.7	77.4	209.3	418.6	86.6	82	62	1.15	677
40	1114	365T	7.14	188.46	272	229	52.4	104.8	299.5	599.0	86.0	83	65	1.15	887
50	1109	404T	7.56	236.64	314	251	60.4	120.8	371.0	742.0	87.3	88	66	1.15	904
60	1104	405T	8.01	285.36	343	247	74.4	148.8	448.2	896.4	87.0	87	69	1.15	1303
75	1126	444T	6.13	349.55	353	303	89.1	178.2	639.1	1278.2	89.3	87	70	1.15	1729
100	1126	445T	6.18	466.32	368	301	120.6	241.2	860.8	1721.6	89.5	87	73	1.15	1846



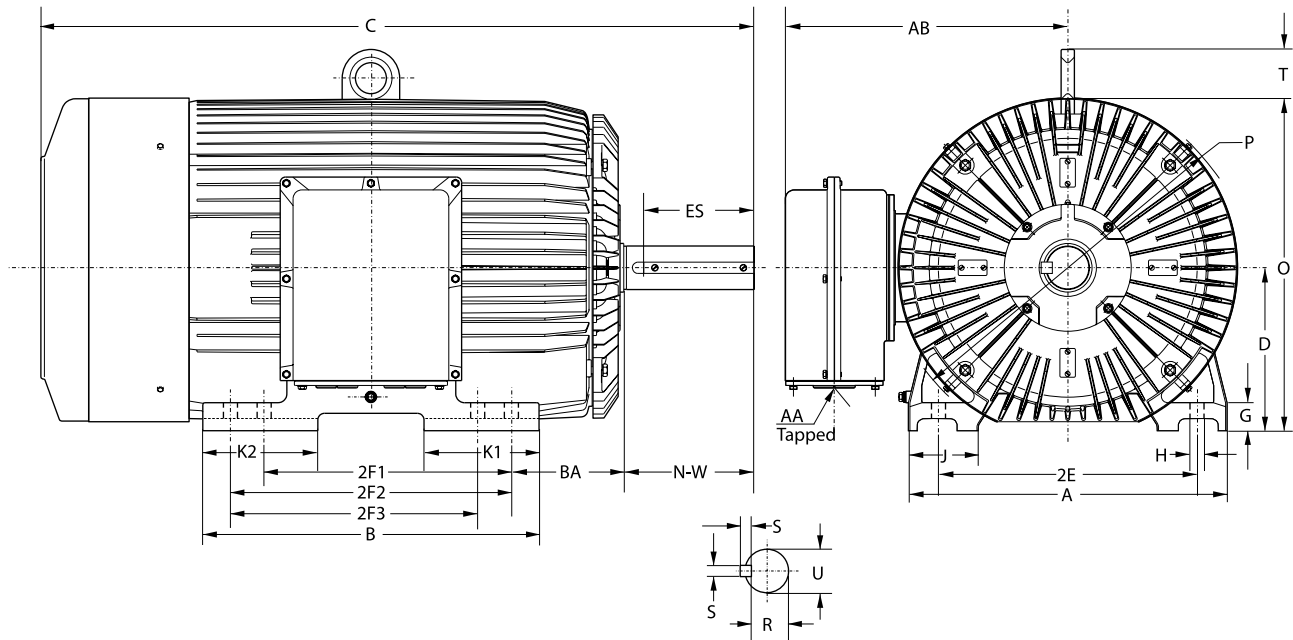
Frame	A Max	C	D	2E	2F1	2F2	H	P	R	S	U	ES Min	AA NPT	AB	BA	N-W	O+T	Bearings	
																		DE	ODE
213T	10.5	19.9	5.25	8.5	5.5	7	0.41	11.6	1.201	0.312	1.375	2.41	1	10.8	3.5	3.38	13	6308-ZZ	6308-ZZ
215T	10.5	19.9	5.25	8.5	5.5	7	0.41	11.6	1.201	0.312	1.375	2.41	1	10.8	3.5	3.38	13	6308-ZZ	6308-ZZ
254T	12.5	26.2	6.25	10	8.25	10	0.53	14.1	1.416	0.375	1.625	2.91	1.25	14.2	4.25	4	15.6	6309-C3	6309-C3
256T	12.5	26.2	6.25	10	8.25	10	0.53	14.1	1.416	0.375	1.625	2.91	1.25	14.2	4.25	4	15.6	6309-C3	6309-C3
284T	14	29.5	7	11	9.5	11	0.53	15.9	1.591	0.5	1.875	3.28	1.5	15	4.75	4.62	17.5	6310-C3	6310-C3
286T	14	29.5	7	11	9.5	11	0.53	15.9	1.591	0.5	1.875	3.28	1.5	15	4.75	4.62	17.5	6310-C3	6310-C3
324T	16	33.3	8	12.5	10.5	12	0.66	17.5	1.854	0.5	2.125	3.91	2	15.6	5.25	5.25	20.5	6312-C3	6312-C3
326T	16	33.3	8	12.5	10.5	12	0.66	17.5	1.854	0.5	2.125	3.91	2	15.6	5.25	5.25	20.5	6312-C3	6312-C3
365T	18	35.2	9	14	11.25	12.25	0.66	19.5	2.021	0.625	2.375	4.28	3	17.3	5.88	5.88	22.1	6314-C3	6314-C3
404T	20	40	10	16	12.25	13.75	0.81	21.4	2.45	0.75	2.875	5.65	3	18.7	6.62	7.25	24.8	6316-C3	6314-C3
405T	20	40	10	16	12.25	13.75	0.81	21.4	2.45	0.75	2.875	5.65	3	18.7	6.62	7.25	24.8	6316-C3	6314-C3
444T	22	47.2	11	18	14.5	16.5	0.81	23.9	2.88	0.875	3.375	6.91	3	19.7	7.5	8.5	26.8	6318-C3	6314-C3
444TS	22	47.2	11	18	14.5	16.5	0.81	23.9	2.88	0.875	3.375	6.91	3	19.7	7.5	8.5	26.8	6318-C3	6314-C3
445T	22	47.2	11	18	14.5	16.5	0.81	23.9	2.88	0.875	3.375	6.91	3	19.7	7.5	8.5	26.8	6318-C3	6314-C3
445TS	22	47.2	11	18	14.5	16.5	0.81	23.9	2.88	0.875	3.375	6.91	3	19.7	7.5	8.5	26.8	6318-C3	6314-C3
447T	22	55.7	11	18	20	25	0.81	23.9	2.88	0.875	3.375	6.91	3	19.7	7.5	8.5	28	6319-C3	6319-C3
447TS	22	55.7	11	18	20	25	0.81	23.9	2.88	0.875	3.375	6.91	3	19.7	7.5	8.5	28	6319-C3	6319-C3
449T	22	55.7	11	18	20	25	0.81	23.9	2.88	0.875	3.375	6.91	3	19.7	7.5	8.5	28	6319-C3	6319-C3
449TS	22	55.7	11	18	20	25	0.81	23.9	2.88	0.875	3.375	6.91	3	19.7	7.5	8.5	28	6319-C3	6319-C3

General Information
Premium Efficient Motors
Metric IEC Motors
Medium Voltage Motors
Pump Motors
Crusher Duty Motors
Brake Motors
56C & TTC Rolled Steel Motors
Washdown Motors
575V Motors
Parts and Accessories
Technical Data

Crusher 40NFC & 33NFC Series – 250-600 HP
Performance Data and Mounting Dimensions

HP	Series Prefix	RPM	Frame	Torque			FLA		LRA		Efficiency			Power Factor			NEMA Design	Code	SF	DE	ODE	lbs
				FLT lb-ft	LRT %	BDT %	460V	575V	460V	575V	FL	75%	50%	FL	75%	50%						
250	40NFC	1189	449T	1105	220	210	305	244	2100	1680	95.0	94.9	93.9	81	80	78	C	H	1.15	NU319	6314C3	2645
300	40NFC	1787	449T	882	240	230	347	278	2600	2080	95.4	95.4	95.1	85	84	79	C	H	1.15	NU319	6314C3	2665
	40NFC	1188	449T	1326	230	210	368	294	2550	2040	95.0	95.0	94.8	80	77	68	C	H	1.15	NU319	6314C3	2830
350	40NFC	1787	449T	1029	230	240	400	320	3050	2440	95.4	95.4	95.1	86	84	80	C	H	1.15	NU319	6314C3	2900
	33NFC	1190	587UZ	1545	219	277	401	321	2485	1988	95.0	94.9	94.0	86	83	74	C	G	1.15	NU324	6324C3	3877
400	40NFC	1785	449T	1178	200	200	452	362	2983	2386	95.2	95.4	95.1	87	86	84	C	H	1.0	NU319	6314C3	2900
	33NFC	1790	587UZ	1174	208	258	436	349	2766	2213	95.5	95.9	95.1	90	88	83	C	F	1.15	NU324	6324C3	3877
500	33NFC	1190	587UZ	1765	206	259	458	366	2678	2142	95.0	95.0	94.0	86	84	76	C	F	1.15	NU324	6324C3	4200
	33NFC	1790	588UZ	1467	206	272	545	436	3436	2749	95.5	95.2	94.5	90	89	84	C	F	1.15	NU324	6324C3	4300
600	33NFC	1190	588UZ	2207	218	264	573	458	3449	2759	95.0	95.1	94.2	86	84	76	C	F	1.15	NU324	6324C3	4420
	33NFC	1790	588UZ	1760	210	268	654	523	4106	3285	95.5	95.3	94.6	90	89	84	C	F	1.15	NU324	6324C3	4421

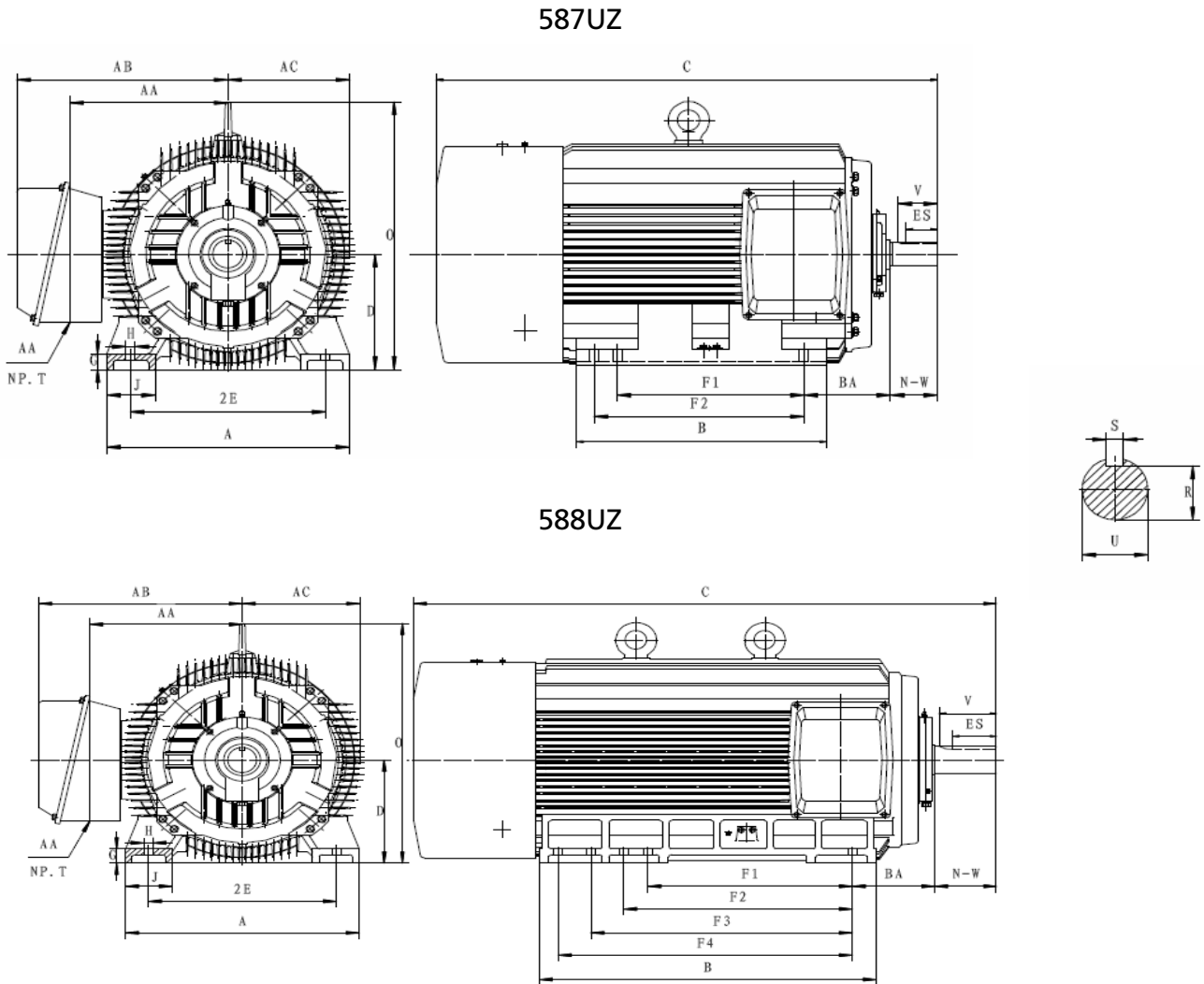
Crusher 40NFC Series – 449T-587 Footed
Mounting Dimensions



Frame	# of Poles	Mounting Dimensions											Overall Dimensions												
		D	2E	2F1	2F2	2F3	G	H	Shaft End				A	AA	AB	B	C	J	K1	K2	O	P	T		
449T	4,6	11	18	20	25	20	1.55	0.81	7.5	7.87	8.5	2.88	0.875	3.375	21.97	2 X 3	23.85	29.72	55.1	5.2	9.72	9.72	22.9	25	4.66
587	4,6	14.5	23	22	25	-	2.48	1.25	10	9.842	11.625	3.309	1	3.875	28.34	2 X 3	25.12	29.92	63.5	6.22	7.28	10.24	33.94	30.6	4.827

449T Base suitable for 447T Frame mounting.
587 Base suitable for 586 Frame mounting (F1 position only).

Crusher 33NFC Series – 587UZ-588UZ Footed
Mounting Dimensions



Frame	# of Poles	2E	F1	F2	F3	F4	H	G	J	A	B	O	D	BA	AB	AC	AA	U	R	S	N-W	ES	V	C
587UZ	4,6,8	23	25	28	-	-	1.1	2	5.7	28.6	29.53	33.5	14.5	10	25	14.37	18.11	4.375	3.819	1	11.6	10	10.5	65
588UZ	4,6,8	23	25	28	32	36	1.1	2	5.7	28.6	41.14	33.5	14.5	10	25	14.37	18.11	4.375	3.819	1	11.6	10	10.5	77

Premium Brake 20N Series – 1-30 HP

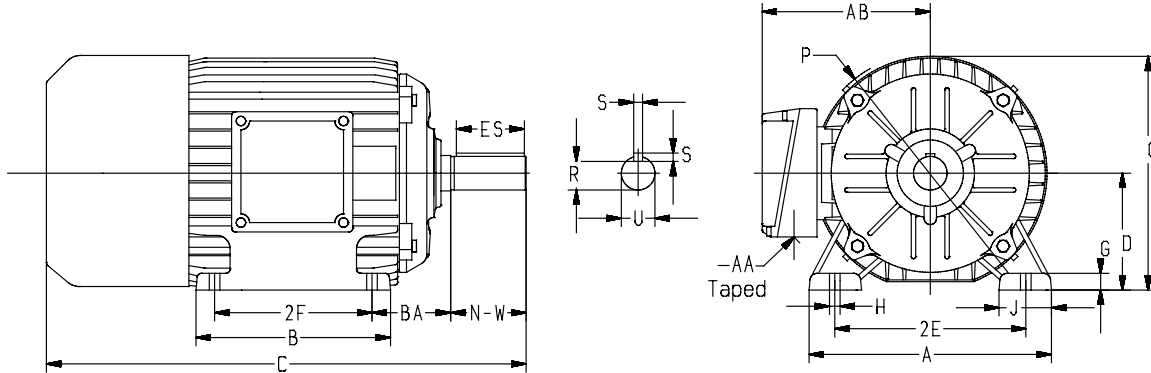
Performance Data

HP	RPM	Frame	Torque				FLA			LRA		Efficiency			Power Factor			NEMA Design	Code	SF	lbs
			FLT lb-ft	BT* lb-ft	LRT %	BDT %	460V	575V	208V	460V	575V	FL	75%	50%	FL	75%	50%				
1	1765	143T	3	11.8	300	320	1.4	1.1	3.1	12.9	10.3	85.5	84.5	81.3	78	70	57	B	M	1.4	53
	1160	145T	4.5	11.8	240	300	1.7	1.4	3.8	10	8	82.5	81.9	78.6	68	59	46	B	K	1.4	55
1.5	3540	143T	2.2	11.8	350	410	2.1	1.7	4.6	20	16	84.5	83.2	79.8	78	69	57	B	M	1.4	56
	1750	145T	4.5	11.8	300	400	2	1.6	4.4	16.6	13.3	87	86.8	85	79	72	59	B	K	1.4	57
	1170	182T	6.7	44.2	190	280	2.4	1.9	5.3	14	11.2	87.5	86.9	84.5	68	59	47	B	J	1.4	85
	3525	145T	3	11.8	360	400	2.7	2.2	6.0	25.4	20.3	86	85.7	83.3	82	75	62	B	L	1.4	57
2	1745	145T	6	11.8	260	340	2.6	2.1	5.8	19.2	15.4	86.5	87.1	85.8	83	77	64	B	J	1.4	59
	1170	184T	9	44.2	200	300	3	2.4	6.6	25	20	88.5	88.6	86.9	72	64	51	B	L	1.4	98
	3500	182T	4.5	44.2	310	320	4	3.2	8.8	32	25.6	86.5	86.4	84.4	82	76	65	B	K	1.4	76
3	1775	182T	8.9	44.2	320	400	4.2	3.4	9.3	38	30.4	89.5	88.5	85.8	75	67	54	A	M	1.4	102
	1165	213T	13.5	59	260	360	4.2	3.4	9.3	32	25.6	89.5	89.5	88	74	68	56	B	K	1.4	205
	3535	184T	7.4	44.2	450	530	6.2	5.0	13.7	73	58.4	89	88.6	86.7	85	80	68	A	N	1.4	102
5	1770	184T	14.8	44.2	300	380	6.7	5.4	14.8	61	48.8	89.5	89.2	87.6	78	71	58	A	L	1.3	108
	1170	215T	22.4	59	250	350	7	5.6	15.5	46	36.8	89.5	89.6	88.2	75	69	57	B	J	1.3	220
	3525	213T	11.2	59	290	315	8.5	6.8	18.8	76	60.8	90	90	88.7	92	89	81	A	K	1.3	159
7.5	1765	213T	22.3	59	240	290	9.3	7.4	20.6	71	56.8	91.7	91.6	90.5	82	78	67	A	J	1.3	167
	1185	254T	33.2	111	320	350	10.4	8.3	23.0	77.5	62	91	90.6	88.6	74	67	54	A	K	1.3	321
	3535	215T	14.8	59	300	335	11.4	9.1	25.2	93	74.4	90.2	90.4	89.3	91	88	80	A	J	1.3	173
10	1770	215T	29.6	59	230	280	12.5	10.0	27.6	87	69.6	91.7	91.7	90.4	82	77	66	A	H	1.3	185
	1180	256T	44.5	111	290	330	13.4	10.7	29.6	94	75.2	91	90.8	89.2	77	70	58	A	J	1.3	363
	3540	254T	22.3	111	240	250	17.6	14.1	38.9	112	90	91.7	91.8	90.5	87	85	77	B	G	1.3	258
	1775	254T	44.3	111	380	440	17.3	13.8	38.3	168	134.4	92.4	92	90.7	88	84	76	A	K	1.3	301
15	1185	284T	66.4	177	470	380	19.5	15.6	43.1	180	144	91.7	91.2	89	79	73	61	A	L	1.3	371
	3540	256T	29.7	111	230	260	22.9	18.3	50.6	138	110	92	92.4	91.7	89	88	82	B	F	1.3	306
	1775	256T	59.1	111	380	450	22.9	18.3	50.6	230	184	93	92.7	91.4	88	84	76	A	L	1.2	390
	1185	286T	88.5	177	380	320	25.5	20.4	56.4	221	177	91.7	91.1	89.1	80	74	63	A	L	1.2	421
20	3555	284TS	36.9	177	260	300	29.5	23.6	65.2	205	164	92.4	92.4	91.3	86	82	74	A	H	1.2	348
	1780	284T	73.7	177	380	420	30.5	24.4	67.5	300	240	93.6	93.1	91.6	82	76	66	A	L	1.2	397
	3540	286TS	44.5	177	250	300	35.2	28.2	77.8	215	172	91.7	92	91.2	87	85	80	A	G	1.2	390
30	1780	286T	88.4	177	370	390	37.5	30.0	82.9	350	280	93.6	93	91.3	80	73	61	A	L	1.2	441

* BT = Break Torque in lb-ft

Premium Brake 20N Series – 143T-286TS Footed Mounting Dimensions

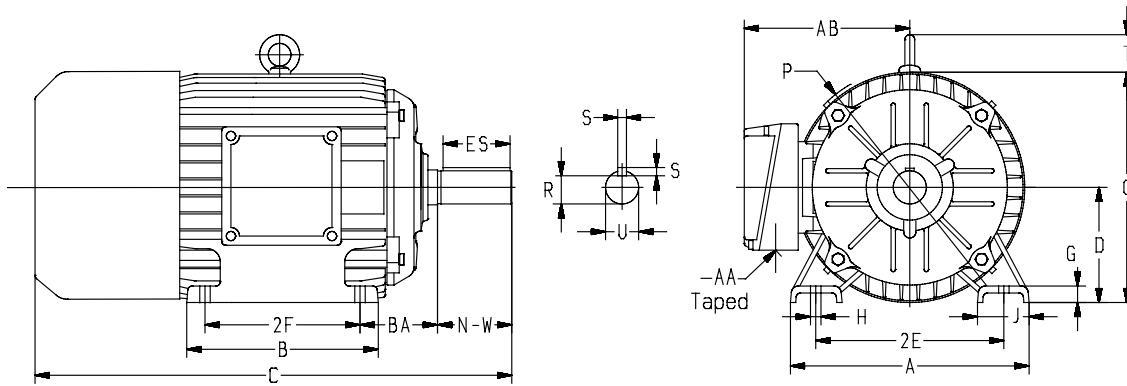
143T-145T



Frame	Mounting Dimensions											Overall Dimensions								Bearing
	A	B	D	2E	2F	H	R	U	N-W	AA	BA	ES	C	G	J	O	P	S	AB	
143T	6.62	5.83	3.50	5.50	4.00	0.34	0.771	0.875	2.25	3/4	2.25	1.52	17.31	0.39	1.66	7.48	8.27	0.188	6.50	6205 2Z
145T	6.62	7.00	3.50	5.50	5.00	0.34	0.771	0.875	2.25	3/4	2.25	1.52	18.27	0.39	1.66	7.48	8.27	0.188	6.50	6205 2Z

Units in inches. Manual release is located on the top of the fan guard and has a height of 3.5 inches from the fan guard to the handle.

182T-286TS

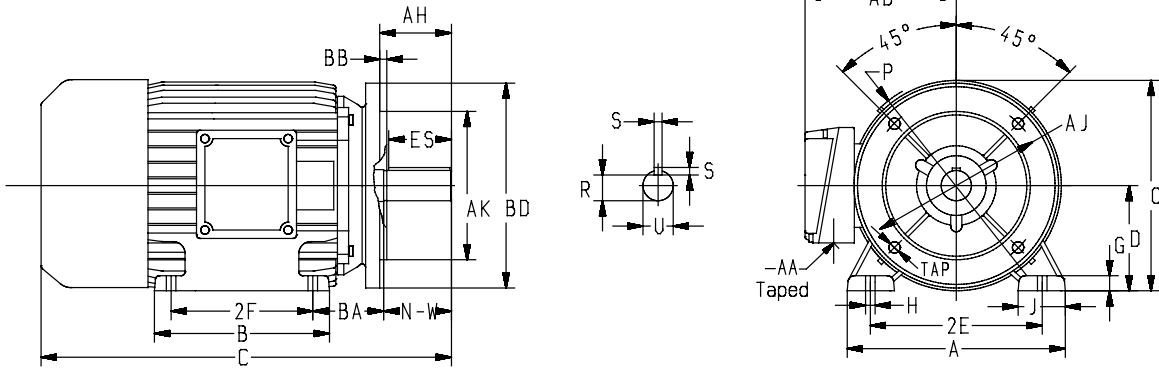


Frame	Mounting Dimensions											Overall dimensions									Bearing
	A	B	D	2E	2F	H	R	U	N-W	AA	BA	ES	C	G	J	O	P	S	T	AB	
182T	9.00	6.74	4.50	7.50	4.50	0.41	0.986	1.125	2.75	1	2.75	1.94	22.21	0.60	2.13	9.09	9.53	0.250	1.77	7.90	6306 2Z
184T	9.00	8.31	4.50	7.50	5.50	0.41	0.986	1.125	2.75	1	2.75	1.94	22.17	0.60	2.13	9.09	9.53	0.250	1.77	7.90	6306 2Z
213T	10.24	8.10	5.25	8.50	5.50	0.41	1.201	1.375	3.38	1	3.50	2.55	23.83	0.72	2.20	10.55	10.94	0.312	1.77	8.45	6308/6 2Z
215T	10.24	9.60	5.25	8.50	7.00	0.41	1.201	1.375	3.38	1	3.50	2.55	27.45	0.72	2.20	10.55	10.94	0.312	1.77	8.45	6308/6 2Z
254T	12.28	9.92	6.25	10.00	8.25	0.55	1.416	1.625	4.00	1 1/4	4.25	3.11	30.31	0.58	2.36	13.18	14.17	0.375	2.08	10.08	6309 2Z
256T	12.28	11.65	6.25	10.00	10.00	0.55	1.416	1.625	4.00	1 1/4	4.25	3.11	32.08	0.58	2.36	13.18	14.17	0.375	2.08	10.08	6309 2Z
284T	13.78	11.61	7.00	11.00	9.50	0.55	1.591	1.875	4.62	1 1/2	4.75	3.53	36.46	0.89	2.75	14.01	14.17	0.500	2.08	10.34	6311 2Z
284TS	13.78	11.61	7.00	11.00	9.50	0.55	1.416	1.625	3.25	1 1/2	4.75	2.10	35.16	0.89	2.75	14.01	14.17	0.375	2.08	10.34	6311 2Z
286T	13.78	13.11	7.00	11.00	11.00	0.55	1.591	1.875	4.62	1 1/2	4.75	3.53	36.54	0.89	2.75	14.01	14.17	0.500	2.08	10.34	6311 2Z
286TS	13.78	13.11	7.00	11.00	11.00	0.55	1.416	1.625	3.25	1 1/2	4.75	2.10	34.72	0.89	2.75	14.01	14.17	0.375	2.08	10.34	6311 2Z

Units in inches. Manual release is located on the top of the fan guard and has a height of 3.5 inches from the fan guard to the handle.

Premium Brake 20N Series – 143TC-286TSC C-Face Mounting Dimensions

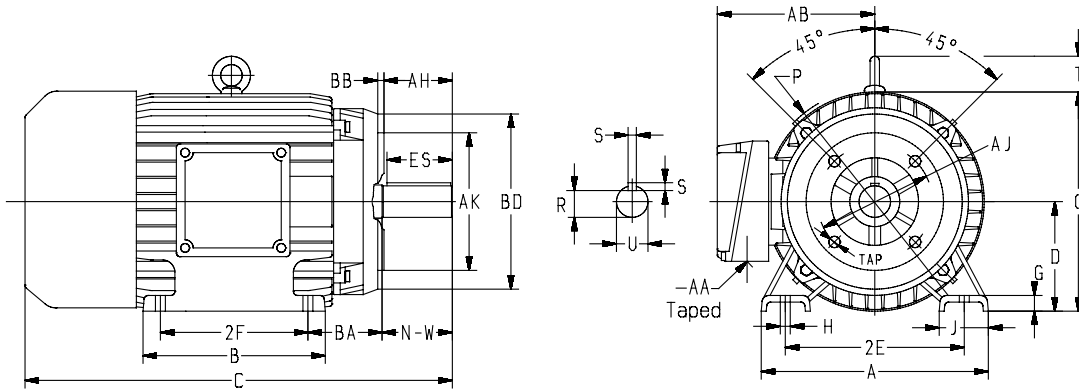
143TC-145TC



Frame	Mounting Dimensions										Overall Dimensions								Bearing	
	A	B	D	2E	2F	H	R	U	N-W	AA	BA	ES	C	G	J	O	P	S		AB
143TC	6.62	5.83	3.50	5.50	4.00	0.34	0.771	0.875	2.25	3/4	2.25	1.52	17.31	0.39	1.66	7.48	8.27	0.188	6.50	6205 2Z
145TC	6.62	7.00	3.50	5.50	5.00	0.34	0.771	0.875	2.25	3/4	2.25	1.52	18.27	0.39	1.66	7.48	8.27	0.188	6.50	6205 2Z

Units in inches. Manual release is located on the top of the fan guard and has a height of 3.5 inches from the fan guard to the handle.

182TC-286TSC



Frame	Mounting Dimensions										Overall dimensions										Bearing
	A	B	D	2E	2F	H	R	U	N-W	AA	BA	ES	C	G	J	O	P	S	T	AB	
182TC	9.00	6.74	4.50	7.50	4.50	0.41	0.986	1.125	2.75	1	2.75	1.94	22.21	0.60	2.13	9.09	9.53	0.250	1.77	7.90	6306 2Z
184TC	9.00	8.31	4.50	7.50	5.50	0.41	0.986	1.125	2.75	1	2.75	1.94	22.17	0.60	2.13	9.09	9.53	0.250	1.77	7.90	6306 2Z
213TC	10.24	8.10	5.25	8.50	5.50	0.41	1.201	1.375	3.38	1	3.50	2.55	23.83	0.72	2.20	10.55	10.94	0.312	1.77	8.45	6308/6 2Z
215TC	10.24	9.60	5.25	8.50	7.00	0.41	1.201	1.375	3.38	1	3.50	2.55	27.45	0.72	2.20	10.55	10.94	0.312	1.77	8.45	6308/6 2Z
254TC	12.28	9.92	6.25	10.00	8.25	0.55	1.416	1.625	4.00	1 1/4	4.25	3.11	30.31	0.58	2.36	13.18	14.17	0.375	2.08	10.08	6309 2Z
256TC	12.28	11.65	6.25	10.00	10.00	0.55	1.416	1.625	4.00	1 1/4	4.25	3.11	32.08	0.58	2.36	13.18	14.17	0.375	2.08	10.08	6309 2Z
284TC	13.78	11.61	7.00	11.00	9.50	0.55	1.591	1.875	4.62	1 1/2	4.75	3.53	36.46	0.89	2.75	14.01	14.17	0.500	2.08	10.34	6311 2Z
284TSC	13.78	11.61	7.00	11.00	9.50	0.55	1.416	1.625	3.25	1 1/2	4.75	2.10	35.16	0.89	2.75	14.01	14.17	0.375	2.08	10.34	6311 2Z
286TC	13.78	13.11	7.00	11.00	11.00	0.55	1.591	1.875	4.62	1 1/2	4.75	3.53	36.54	0.89	2.75	14.01	14.17	0.500	2.08	10.34	6311 2Z
286TSC	13.78	13.11	7.00	11.00	11.00	0.55	1.416	1.625	3.25	1 1/2	4.75	2.10	34.72	0.89	2.75	14.01	14.17	0.375	2.08	10.34	6311 2Z

Units in inches. Manual release is located on the top of the fan guard and has a height of 3.5 inches from the fan guard to the handle.

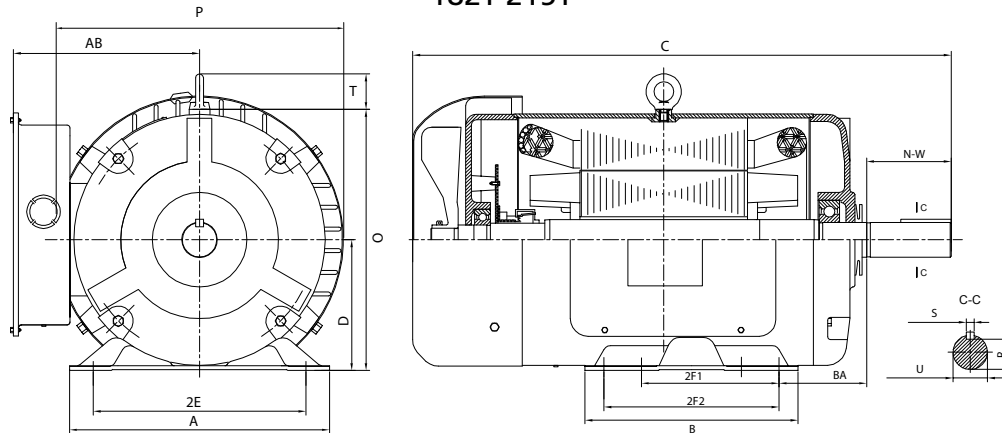
High Torque Single Phase Rolled Steel 36T Series – 1-Phase

NEMA AC Foot Mounted and C-Face Performance Data and Mounting Dimensions

HP	RPM	Frame	Volt	Phase	HZ	Full Load Amps	LRT %	BDT %	LRA %	EFF %	PF %	lbs	Encl	Start Cap uF/350V	Run Cap uF/450V
3	3475	182T/TC	208-230/460V	1	60	14.0-12.4/6.3	234	150	641	79.4	99	88	TEFC	300	40
	1735	182T/TC	208-230/460V	1	60	14.5-12.6/6.4	295	160	695	81.7	95	92	TEFC	350	30
5	3490	184T/TC	208-230/460V	1	60	23.0-20.0/10.0	157	170	503	82.5	99	95	TEFC	400	50
	1740	184T/TC	208-230/460V	1	60	22.5-20.0/10.0	270	150	663	83.8	95	110	TEFC	350	40
7.5	3490	213T/TC	208-230/460V	1	60	31.5-29.0/15.0	314	190	616	83.5	99	123	TEFC	500	60
	1740	213T/TC	208-230/460V	1	60	32.8-30.0/15.2	340	180	783	84.5	98	143	TEFC	650	60
10	1738	215T/TC	208-230/460V	1	60	40.2-38.2/19.5	299	170	684	88.7	97	161	TEFC	450 (x2)*	50 (x2)*

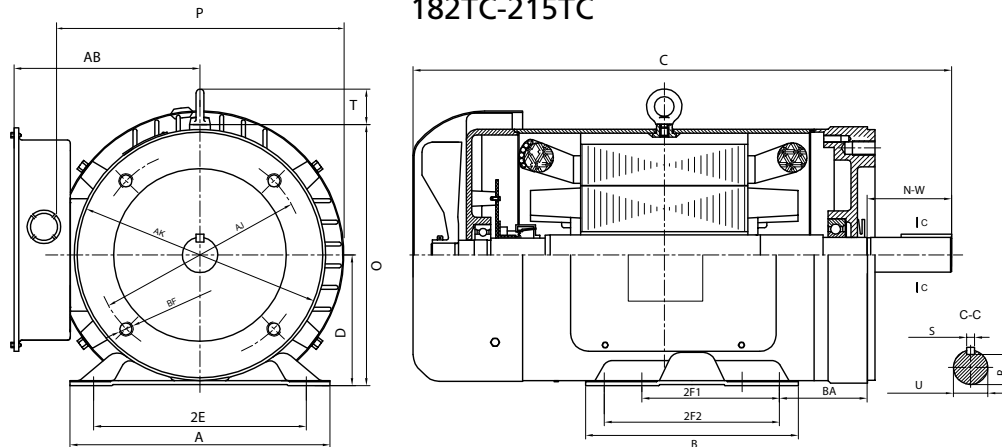
* (2) capacitors needed per motor.

182T-215T



Frame	AB	T	O	2E	A	P	D	C	2F1	2F2	B	BA	N-W	S	R	U
182T	6.7	2	9.3	7.5	8.7	9	4.5	17	4.5	5.5	6.7	2.75	2.75	0.25	0.98	1.125
184T	6.7	2	9.3	7.5	8.7	9	4.5	18	4.5	5.5	6.7	2.75	2.75	0.25	0.98	1.125
213T	7.7	2	11	8.5	10	12	5.25	20	5.5	7	10	3.5	3.38	0.312	1.20	1.375
215T	7.7	2	11	8.5	10	12	5.25	20	5.5	7	10	3.5	3.38	0.312	1.20	1.375

182TC-215TC



Frame	AB	T	O	2E	A	P	D	C	2F1	2F2	B	BA	N-W	S	R	U	AJ	AK	BF
182TC	6.7	2	9.3	7.5	8.7	9	4.5	17	4.5	5.5	6.7	2.75	2.75	0.25	0.98	1.125	7.25	8.327	1/2-13UNC
184TC	6.7	2	9.3	7.5	8.7	9	4.5	18	4.5	5.5	6.7	2.75	2.75	0.25	0.98	1.125	7.25	8.327	1/2-13UNC
213TC	7.7	2	11	8.5	10	12	5.25	20	5.5	7	10	3.5	3.38	0.312	1.20	1.375	7.25	8.5	1/2-13UNC
215TC	7.7	2	11	8.5	10	12	5.25	20	5.5	7	10	3.5	3.38	0.312	1.20	1.375	7.25	8.5	1/2-13UNC

56C Frame Rolled Steel – 1-Phase and 3-Phase

NEMA AC TEFC Footed and Round Body Performance Data and Mounting Dimensions

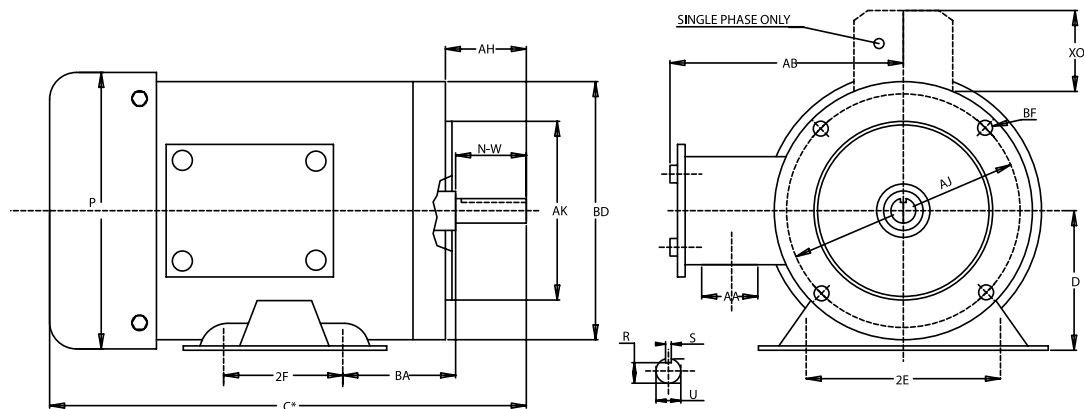
1-Phase With or Without Thermal Protection and Manual Reset

HP	RPM	Frame	Phase	Volt	HZ	Amps 230V	LRT %	BDT %	LRA %	EFF %	PF %	C DIM	lbs
1/3	3450	56C	1	115/230	60	2.4	300	180	700	57	82	10.95	23.2
	1720	56C	1	115/230	60	3	280	180	700	60	59	10.95	23.2
1/2	3450	56C	1	115/230	60	3.1	280	180	700	63	83	10.95	24.3
	1720	56C	1	115/230	60	4	250	180	700	62	65	10.95	24.3
3/4	3450	56C	1	115/230	60	4.5	280	180	700	64	83	10.95	26.5
	1720	56C	1	115/230	60	4.6	250	180	700	73	71	11.42	31
1	3450	56C	1	115/230	60	6.2	250	180	700	64	83	11.42	32
	1720	56C	1	115/230	60	6.1	250	180	700	73	73	11.90	36.4
1.5	3450	56C	1	115/230	60	8.7	250	180	700	66	84	11.90	39.7
	1720	56C	1	115/230	60	8.4	250	180	700	74	77	12.90	40.8
2	3450	56HC	1	115/230	60	10.8	250	180	700	72	84	12.90	43
	1720	56HC	1	115/230	60	9	170	170	600	76	95	12.90	43

3-Phase

HP	RPM	Frame	Phase	Volt	HZ	Amps 460V	LRT %	BDT %	LRA %	EFF %	PF %	C DIM	lbs
1/3	3400	56C	3	230/460	60	0.65	400	420	700	59	83	10.95	21
	1700	56C	3	230/460	60	0.5	280	320	700	79	81	10.95	20.5
1/2	3400	56C	3	230/460	60	0.88	400	400	700	62	85	10.95	22.1
	1700	56C	3	230/460	60	0.9	260	280	700	71	75	10.95	21.2
3/4	3400	56C	3	230/460	60	1.2	380	390	700	69	84	10.95	23.4
	1700	56C	3	230/460	60	1.3	270	320	700	72	76	10.95	22.7
1	3400	56C	3	230/460	60	1.6	380	370	800	69	85	10.95	25.5
	1700	56C	3	230/460	60	1.7	290	320	700	79	73	10.95	23.6
1.5	3400	56C	3	230/460	60	2.3	390	350	700	72	85	10.95	29.5
	1700	56C	3	230/460	60	2.2	280	320	700	83	76	11.50	26
2	3400	56HC	3	230/460	60	2.7	360	360	900	80	88	11.50	35.3
	1700	56HC	3	230/460	60	2.9	280	330	700	82	80	12.40	31.1
3	3400	56HC	3	230/460	60	3.8	340	350	800	80	83	12.40	37.5

230/460V suitable at 208V



Frame	PH	D	2E	2F	BA	N-W	R	S	U	AH	AJ	AK	BF	AA	AB	BD	P	X0
56C	1	3.5	4.88	3	2.75	1-7/8	33/64	3/16	5/8	2 1/16	5-7/8	4 1/2	3/8-16	0.87	5 5/16	6 19/32	7 1/10	1.72
56C	3	3.5	4.88	3	2.75	1-7/8	33/64	3/16	5/8	2 1/16	5-7/8	4 1/2	3/8-16	0.87	5 5/16	6 19/32	7 1/10	-

C Dimension included in performance data.
2 HP 1-Phase motor has 2 capacitors.

56C Frame Stainless Steel – 1-Phase and 3-Phase

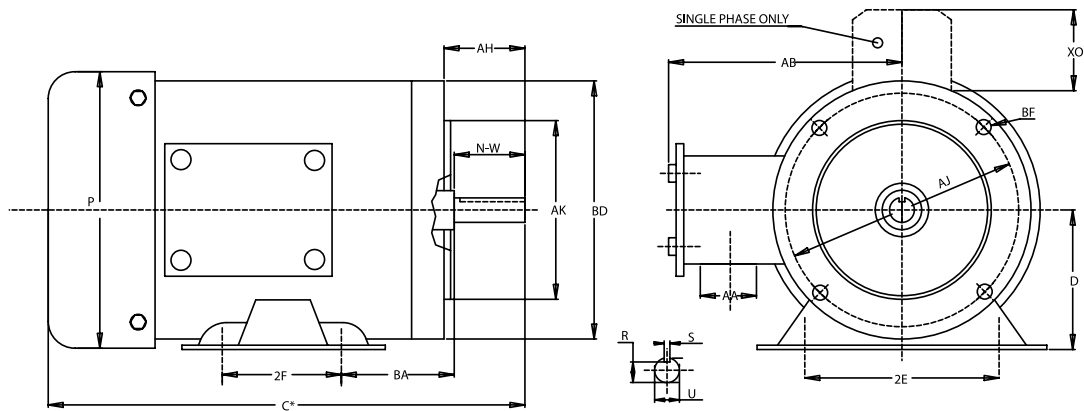
NEMA AC Footed and Round Body Performance Data and Mounting Dimensions

1-Phase 56C Frame Stainless Steel

HP	RPM	Frame	Volt	Phase	HZ	Amps 230V	LRT %	BDT %	LRA %	EFF %	PF %	C DIM	lbs	Encl
1/3	3450	56C	115/230	1	60	2.4	293	209	543	67	82	10.6	23	TEFC
	1720	56C	115/230	1	60	2.8	280	230	490	68	58	10.6	23	TEFC
1/2	3450	56C	115/230	1	60	3.1	360	180	658	63	83	10.6	24	TEFC
	1720	56C	115/230	1	60	4.1	320	220	512	61	65	11.0	24	TEFC
3/4	3450	56C	115/230	1	60	4.5	310	170	587	63	84	11.0	26.5	TEFC
	1720	56C	115/230	1	60	4.9	280	220	612	72	68	11.7	23.5	TEFC
1	3450	56C	115/230	1	60	6.2	270	184	709	64	84	11.7	31.5	TEFC
	1720	56C	115/230	1	60	6.8	270	230	618	69	69	12.2	33	TEFC
1.5	3450	56C	115/230	1	60	8.8	270	190	647	65	84	12.2	35	TEFC
	1720	56C	115/230	1	60	9.5	250	220	663	73	69	13.1	38.5	TEFC
2	3450	56HC	115/230	1	60	10.8	240	210	759	72	84	14.0	50	TEFC
	1720	56HC	115/230	1	60	9	190	190	733	76	95	14.0	48	TEFC

3-Phase 56C Frame Stainless Steel

HP	RPM	Frame	Volt	Phase	HZ	Amps 460V	LRT %	BDT %	LRA %	EFF %	PF %	C DIM	lbs	Encl
1/3	3400	56C	230/460	3	60	0.58	200	221	568	67	88	8.9	23	TENV
	1700	56C	230/460	3	60	0.65	320	380	785	72	66	9.4	22	TENV
1/2	3400	56C	230/460	3	60	0.8	230	250	680	75	85	8.9	25	TENV
	1700	56C	230/460	3	60	0.85	270	360	776	78	70	9.4	23.5	TENV
3/4	3400	56C	230/460	3	60	1.1	210	250	663	80	80	8.9	30	TENV
	1700	56C	230/460	3	60	1.2	270	340	825	79	75	9.4	31	TENV
1	3400	56HC	230/460	3	60	1.3	240	230	807	80	85	11.2	38	TEFC
	1700	56HC	230/460	3	60	1.5	300	380	906	81	75	12.8	38	TEFC
1.5	3400	56HC	230/460	3	60	1.85	200	240	843	82.5	85	12.8	45	TEFC
	1700	56HC	230/460	3	60	2.3	300	330	878	82.5	72	12.8	45	TEFC
2	3400	56HC	230/460	3	60	2.45	170	230	829	84	87	12.8	47	TEFC
	1700	56HC	230/460	3	60	2.9	290	300	828	84	75	12.8	51	TEFC
3	3400	56HC	230/460	3	60	3.8	350	360	1020	80	83	12.8	51	TEFC



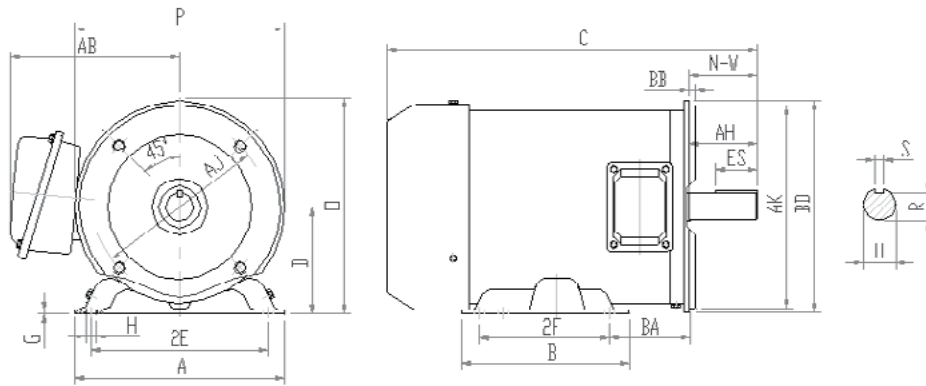
Frame	PH	D	2E	2F	BA	N-W	R	S	U	AH	AJ	AK	BF	AA	AB	BD	P	X0
56C	1	3.5	4.88	3	2.75	1-7/8	33/64	3/16	5/8	2 1/16	5-7/8	4 1/2	3/8-16	0.87	5 5/16	6 19/32	7 1/10	1.72
56C	3	3.5	4.88	3	2.75	1-7/8	33/64	3/16	5/8	2 1/16	5-7/8	4 1/2	3/8-16	0.87	5 5/16	6 19/32	7 1/10	-

C Dimension included in performance data.
Fractional 3-Phase motors in their standard version have neither fan nor fan guard (TENV).

Design C Stainless Steel 39 Series – 143TC-256TC 3-Phase
NEMA AC Footed and Round Body Performance Data and Mounting Dimensions

HP	RPM	Frame	Phase	Amps 460V	FLT lb-ft	LRT %	BDT %	EFF %	PF %	Code	Bearing	lbs	Encl
1	1720	143TC	3	1.52	3.04	225	280	82.5	75	H	6205	38	TEFC
3	1760	182TC	3	4.17	8.9	215	250	87.5	77	K	6306	86	TEFC
5	1750	184TC	3	6.69	14.92	185	215	87.5	80	H	6306	93	TEFC
20	1760	256TC	3	24.8	59.7	180	220	91	84	G	6309	300	TEFC

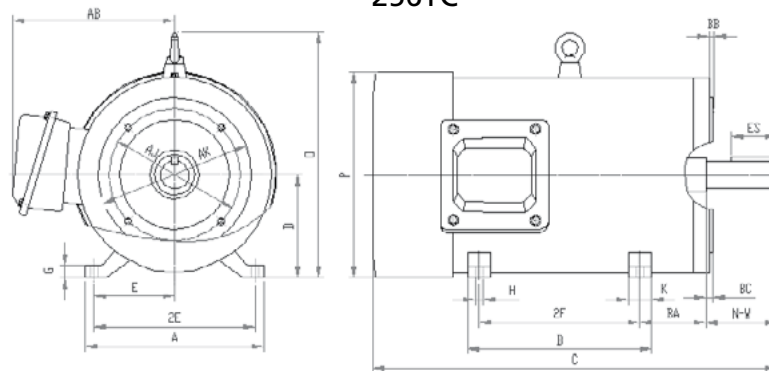
143TC-184TC



Frame	Mounting			A	B	C	D	G	H	O	P	AB	Shaft Extension		
	E	F	BA										N-W	U	V
143TC	2.75	2	2.75	6.4	6.4	12.6	3.5	0.08	0.34	7	7	6.2	2.25	0.875	2
182TC	3.75	2.25	2.75	9	6.4	16	4.5	0.16	0.41	9.2	8.7	7.2	2.75	1.125	2.5
184TC	3.75	2.75	2.75	9	7.4	17	4.5	0.16	0.41	9.2	8.7	7.2	2.75	1.125	2.5

Frame	AJ	AK	Min BB	BC	Max BD	# of Holes	Screw	Depth of Hole	AH	Keyway		
										R	ES	S
143TC - 145TC	5.875	4.5	0.16	+0.12	6.5	4	3/8-16	0.56	2.12	0.771	1.41	0.188
182TC - 184TC	7.25	8.5	0.25	+0.12	9.0	4	1/2-13	0.75	2.62	0.986	1.78	0.250

256TC



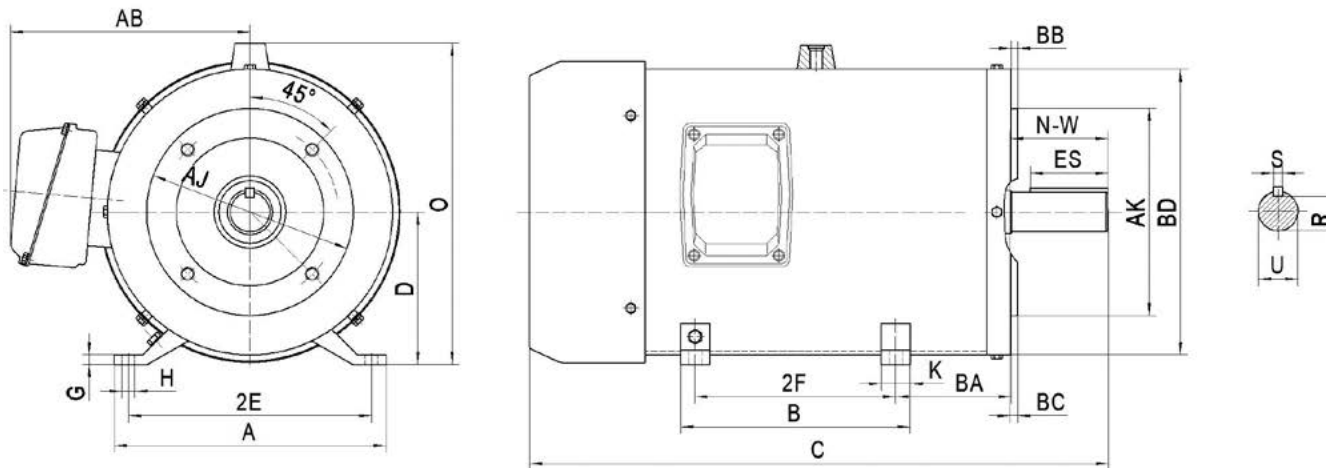
Frame	Mounting			A	B	C	D	G	H	O	P	AB	Shaft Extension		
	E	F	BA										N-W	U	V
256TC	5	5	4.75	11.2	11.18	25.4	6.25	0.6	0.53	14.2	12.5	9.84	4	1.625	3.75

Frame	AJ	AK	Min BB	BC	Max BD	# f Holes	Screw	Depth of Hole	AH	Keyway		
										R	ES	S
256TC	7.25	8.5	0.25	+0.25	10.0	4	1/2-13	0.75	3.75	1.416	2.91	0.375

Premium Stainless Steel 79 Series – 143TC-286TC 3-Phase
NEMA AC Footed and Round Body Performance Data

HP	RPM	Frame	CONN	Torque			IDLE 460V	FLA 460V	LRA 460V	Efficiency			Power Factor			NEMA Design	Code	SF	lbs
				FLT lb-ft	LRT %	BDT %				FL	75%	50%	FL	75%	50%				
1	3600	143TC	2Y/Y	1.53	185	250	0.63	15	15	77	81.1	79.73	84	84.96	75.53	B	J	1.15	44
	1800	143TC	2Y/Y	3.05	275	300	1.06	15	15	85.5	84.76	83.2	75	71.94	59.16	B	G	1.15	44
1.5	3600	143TC	2Y/Y	2.29	175	250	0.87	20	20	84	85.05	84.71	84	86.2	77.77	B	H	1.15	53
	1800	145TC	2Y/Y	4.59	250	280	1.34	20	20	86.5	86.35	85.13	79	75.5	63.49	B	G	1.15	53
2	3600	145TC	2Y/Y	3.07	170	240	0.91	25	25	85.5	86.15	86.12	86	89.24	82.72	B	G	1.15	55
	1800	145TC	2Y/Y	6.11	235	270	1.64	25	25	86.5	86.82	86.25	80	76.83	65.21	B	G	1.15	59
3	3600	182TC	2Y/Y	4.49	160	230	1.46	32	32	86.5	87.25	86.36	87	88.65	81.8	B	J	1.15	98
	1800	182TC	2Y/Y	8.94	215	250	2.53	32	32	89.5	89.42	88.18	80	75.25	63.24	B	J	1.15	100
5	3600	184TC	2Y/Y	7.51	150	215	2.26	46	46	88.5	88.91	88.63	88	89.55	83.35	B	H	1.15	107
	1800	184TC	2Y/Y	14.94	185	225	3.52	46	46	89.5	89.32	88.61	80	79.82	69.39	B	H	1.15	108
7.5	3600	213TC	2Δ/Δ	11.2	140	200	1.72	63.5	63.5	89.7	89.82	89.45	89	89.95	84.62	B	G	1.15	159
	1800	213TC	2Δ/Δ	22.41	175	215	3.65	63.5	63.5	91.7	91.63	91.12	84	81.9	73.06	B	G	1.15	171
10	3600	215TC	2Δ/Δ	14.94	135	200	1.88	81	81	90.2	90.76	90.25	90	91.66	87.78	B	G	1.15	177
	1800	215TC	2Δ/Δ	29.87	165	200	4.1	81	81	91.7	91.85	91.41	84	83.64	75.83	B	G	1.15	208
15	3600	254TC	2Δ/Δ	22.15	180	240	4.35	116	116	91	91.17	90	89	89	83.5	B	G	1.15	271
	1800	254TC	2Δ/Δ	44.68	185	220	7.75	116	116	92.4	92.42	91.61	83	81.4	71.4	B	F	1.15	296
20	3600	256TC	2Δ/Δ	29.54	160	220	5.17	145	145	91	91.25	91.21	90	90.8	87	B	G	1.15	322
	1800	256TC	2Δ/Δ	59.58	180	220	9.2	145	145	93	92.45	92.28	84	85	77.6	B	G	1.15	347
25	3600	284TSC	2Δ/Δ	36.92	170	220	6.6	182.5	182.5	91.7	92.05	91.76	89	89.9	85.1	B	F	1.15	428
	1800	284TC	2Δ/Δ	74.26	170	220	10.5	182.5	182.5	93.6	93.42	92.66	86	83.4	74.7	B	G	1.15	451
30	3600	286TSC	2Δ/Δ	44.31	170	230	7.7	217.5	217.5	91.7	92.1	92.07	89	90.2	85.7	B	E	1.15	474
	1800	286TC	2Δ/Δ	89.11	170	220	12	217.5	217.5	93.6	93.29	93.12	86	84.5	76.5	B	G	1.15	482

Premium Stainless Steel 79 Series – 143TC-286TC 3-Phase
NEMA AC Footed and Round Body Mounting Dimensions



Frame	Mounting			A	B	C	D	G	H	O	P	R	S	AB	Shaft Extension			Bearing	
	2E	2F	BA												N-W	U	V	DE	ODE
143TC	5.5	4	2.75	6.4	4.96	12.6	3.5	0.08	0.35	7	7	0.768	0.188	6.1	2.25	0.886	2	6205	6205
145TC	5.5	5	2.75	6.4	6.4	15.2	3.5	0.08	0.35	7	7	0.768	0.188	6.1	2.25	0.886	2	6205	6205
182TC	7.5	4.5	3.5	9	6.1	16	4.5	0.16	0.43	9	8.7	0.98	0.25	7.1	2.75	1.125	2.5	6306	6306
184TC	7.5	5.5	3.5	9	7.1	17	4.5	0.16	0.43	9	8.7	0.98	0.25	7.1	2.75	1.125	2.5	6306	6306
213TC	8.5	5.5	4.25	10.5	8.5	20.5	5.25	0.16	0.43	10.4	10.4	1.181	0.315	8.27	3.38	1.378	3.12	6208	6208
215T	8.5	7	4.25	10.5	8.5	22	5.25	0.16	0.43	10.4	10.4	1.181	0.315	8.27	3.38	1.378	3.12	6208	6208
254TC	10	8.25	4.75	11.2	10.6	23.8	6.25	0.39	0.53	13.2	12.5	1.417	0.375	9.84	4	1.625	3.75	6309	6309
256TC	10	10	4.75	11.2	12.36	25.4	6.25	0.39	0.53	13.2	12.5	1.417	0.375	9.84	4	1.625	3.75	6309	6309
284TSC	11	9.5	4.75	12.2	11.08	25.2	7	0.47	0.53	14.8	14	1.417	0.375	9.84	3.25	1.625	3	6310	6310
284TC	11	9.5	4.75	12.2	11.08	26.6	7	0.47	0.53	14.8	14	1.591	0.5	9.84	4.62	1.875	4.38	6310	6310
286TSC	11	11	4.75	12.2	12.57	26.2	7	0.47	0.53	14.8	14	1.417	0.375	9.84	3.25	1.625	3	6310	6310
286TC	11	11	4.75	12.2	12.57	27.6	7	0.47	0.53	14.8	14	1.591	0.5	9.84	4.62	1.875	4.38	6310	6310

Frame	AJ	AK	BA	Min BB	BC	Max BD	# of Holes	Screw	Depth of Hole	U	AH	Keyway		
												R	ES	S
143TC	5.875	4.5	2.75	0.16	+0.12	6.5	4	3/8-16	0.56	0.886	2.12	0.768	1.41	0.188
145TC	5.875	4.5	2.75	0.16	+0.12	6.5	4	3/8-16	0.56	0.886	2.12	0.768	1.41	0.188
182TC	7.25	8.5	3.5	0.25	+0.12	9	4	1/2-13	0.75	1.125	2.62	0.98	1.78	0.25
184TC	7.25	8.5	3.5	0.25	+0.12	9	4	1/2-13	0.75	1.125	2.62	0.98	1.78	0.25
213TC	7.25	8.5	4.25	0.25	+0.25	9	4	1/2-13	0.75	1.378	3.12	1.181	2.41	0.315
215T	7.25	8.5	4.25	0.25	+0.25	9	4	1/2-13	0.75	1.378	3.12	1.181	2.41	0.315
254TC	7.25	8.5	4.75	0.25	+0.25	10	4	1/2-13	0.75	1.625	3.75	1.417	2.91	0.375
256TC	7.25	8.5	4.75	0.25	+0.25	10	4	1/2-13	0.75	1.625	3.75	1.417	2.91	0.375
284TSC	9	10.5	4.75	0.25	+0.25	11.25	4	1/2-13	0.75	1.625	3	1.417	1.91	0.375
284TC	9	10.5	4.75	0.25	+0.25	11.25	4	1/2-13	0.75	1.875	4.38	1.591	3.28	0.5
286TSC	9	10.5	4.75	0.25	+0.25	11.25	4	1/2-13	0.75	1.625	3	1.417	1.91	0.375
286TC	9	10.5	4.75	0.25	+0.25	11.25	4	1/2-13	0.75	1.875	4.38	1.591	3.28	0.5

Motor Warranty, Return and Sales Policies

Elektrim Motors reserves the right to change these policies as business conditions warrant.

Freight Policy

All electric motors are shipped FOB shipping point freight prepaid and add unless otherwise specified by the Buyer. Elektrim covers shipping and handling for standard ground delivery of regularly priced motors (excluding overstock and sale items) on a single order over \$3000.00 before tax and freight, on a carrier chosen by Elektrim, to a single destination within the continental United States. Other terms and conditions may apply for additional freight services, including, without limitation, expedited delivery, air freight, freight collect, export orders, hazardous materials, shipments outside the contiguous United States, or other special handling by the carrier. Any extra charges incurred for additional freight services must be paid by Buyer. Title and risk of loss pass to Buyer upon tender of shipment to the carrier. All Latin America export orders are shipped EX-WORKS Natick, MA or EX-WORKS Schaumburg, IL. See full Terms and Conditions for Latin American export sales.

Damaged or Lost Shipments

In the event of damaged or lost shipments: (a) If Buyer requested freight charges via collect or third party freight, Buyer is responsible for filing claim with carrier. Elektrim is not liable for merchandise damaged or lost by carrier; (b) If Elektrim paid pre-paid or no-charge freight, receiver of Goods must have the driver note the damage or shortage on the freight bill, and Buyer must notify Elektrim within 5 business days with pictures and explanation of damages. Keep damaged product and packaging until you are advised to dispose by Elektrim. Elektrim does not recommend shipping electric motors and related products over 40lbs via UPS or FedEx Ground. Buyers choosing UPS or FedEx Ground as their carrier for Elektrim products over 40 lbs must sign a shipping waiver or ship collect or third party billing, and are responsible for filing claim with carrier in the event of damage or loss. Shipping wavier provided by Elektrim upon request.

Motor Return Policy

Motor returns must be returned in original packaging, unused, undamaged and in saleable condition within 30 days after the date of shipment for a 20% restocking fee, unless otherwise indicated. Depending on circumstances, repackaging or other fees may apply. Proof of purchase is required in all cases, and Buyer must obtain a Returned Merchandise Authorization (RMA) from Elektrim prior to return. Buyer is responsible for freight charges on original order, and may be billed for freight paid out by Elektrim on original order. Original order freight charges are not reimbursable. Buyer is responsible for return freight and new freight charges on any replacement order. After 30 days motors cannot be returned. No credit will be issued on authorized returns due to the following conditions: (a) item has been used, and is not in resalable condition; (b) item has been modified by Buyer; (c) item has been damaged; or (d) item returned does not match item authorized for return. Unauthorized returns with no RMA and no paperwork will be processed, and no credit is due Buyer. Such returns are subject to be returned to Buyer, and freight charges for the return are the responsibility of the Buyer. In the unlikely event of motor failure, Elektrim will warrant the motor under the guidelines of the Elektrim Motor Limited Warranty and Service Policy. Elektrim does not offer stocking distributors a "stock-swap" policy, unless written authorization has been provided by Elektrim (additional terms and conditions apply).

Sourced Products

Elektrim Motors may procure products not available through the Elektrim Motors catalog or available on www.elektrimmotors.com for a Buyer from other sources ("Sourced Product(s)"). Sourced products are priced according to current market conditions on a per order basis, and are shipped FOB origin with freight and handling fee paid by Elektrim and charged to Buyer. Any charges for Other Freight Services are paid by Buyer. Special order products may require a 50% down-payment by the Buyer. ELEKTRIM'S LIMITED WARRANTY TERMS INCLUDED IN THESE TERMS AND CONDITIONS DO NOT APPLY TO SOURCED PRODUCTS. THE PRODUCT WARRANTY PROVIDED BY THE MANUFACTURER AND/OR SUPPLIER WILL BE BUYER'S SOLE REMEDY. All Sourced Products are sold on a "FINAL SALE" basis only, and no cancellations, returns, refunds or credits are allowed. Sourced and/or Special Order Products may be subject to advance deposits, prepayments, or other non-standard payment terms. At its discretion, Elektrim Motors may require non-cancelable purchase orders for any sourced or special order requests.

Custom Motor Order Policy

Buyer may order custom motors ("Custom Product(s)") created to Buyer's specifications. Elektrim is not responsible for verifying or confirming the accuracy of specifications provided by Buyer to Elektrim for Custom Products. ELEKTRIM'S LIMITED WARRANTY TERMS INCLUDED IN THESE TERMS AND CONDITIONS DO NOT APPLY TO CUSTOM PRODUCTS. THE PRODUCT WARRANTY PROVIDED BY THE MANUFACTURER AND/OR SUPPLIER WILL BE BUYER'S SOLE REMEDY. All Custom Products are sold on a "FINAL SALE" basis only, and no cancellations, returns, refunds or credits are allowed. Buyer order products may require a 50% down-payment by the Buyer.

Limited Warranty

Elektrim Motors and its employees are proud of our products and are committed to providing our customers and end users with the best designed and manufactured electric motors. This Limited Warranty and Service Policy describes the Elektrim warranty and warranty procedures.

Scope of Warranty: All Elektrim motors are warranted against defect in workmanship and materials.

Warranty Period: Elektrim motors are warranted for (Part Number Prefixes 20J, 20M, 20N, 31N, 32N, 34N, 40J, 40M, 40N, 60N, 77N: 36 months; 36, 38, 39, 79: 12 months) from the date of shipment to Buyer from the Elektrim warehouse or, if applicable, any consigned inventory

or district warehouse. All warranty claims must be submitted to Elektrim Motors prior to expiration of the warranty period.

Procedure to Receive Warranty Service: Buyers must contact Elektrim Motors and receive authorization prior to obtaining warranty service. Elektrim is not liable for cost of modifications or repairs performed to Elektrim motors if warranty authorization was not obtained. Buyers seeking warranty authorization must fill out and submit to Elektrim the Motor Warranty Service Report indicating the defect or problem, a description of the way in which the motor was used, your name, address and phone number. The Warranty Service Report can be obtained by contacting Elektrim or at <https://www.toolmex.com/cb-Support/SupportDocuments.aspx>.

Warranty Service Center Locations: Warranty service is available for all Elektrim motors from all Elektrim Authorized Service Centers. A list of service centers is available by contacting Elektrim at 2015 S. Mitchell Blvd., Schaumburg, IL 60193, 1-855-GO-ELEKTRIM (855-463-5358) or by email at warranty@elektrimmotors.com.

Repair by Other than an Elektrim Authorized Service Center: Buyers who are unable to take or ship the Elektrim motor to an Elektrim Authorized Service Center, or those who desire that there be made an alternative facility must contact Elektrim to receive a written authorization. Modifications or repairs performed to Elektrim motors by non-authorized service providers will void the warranty.

Repairs or Replacement Within the Scope of the Warranty: If an Elektrim motor is defective due to Elektrim workmanship or materials and the defect occurs during the warranty period, Elektrim will either repair the product, issue credit or replace it with a new one, whichever Elektrim believes to be appropriate under the circumstances. Elektrim will pay domestic freight on replacement motors (and only if requested by Elektrim, motors returned to Elektrim) as a result of warranty. Elektrim will not pay freight for any returned motors as a result of warranty, if the return was not requested by Elektrim in writing. ELEKTRIM IS NOT RESPONSIBLE FOR REMOVAL AND SHIPPING OF THE ELEKTRIM MOTOR TO THE SERVICE CENTER, REINSTALLATION OF THE ELEKTRIM MOTOR UPON ITS RETURN TO THE BUYER, OR ANY INCIDENTAL OR CONSEQUENTIAL DAMAGES RESULTING FROM THE DEFECT, REMOVAL, REINSTALLATION, SHIPMENT OR OTHERWISE.

Repairs Outside the Scope of Warranty: Problems with Elektrim motors can be due to improper maintenance, faulty installation, non-Elektrim additions or modifications, or other problems not due to defects in workmanship or materials. If the Elektrim Authorized Service Center determines that the problem with an Elektrim motor is not due to defects in workmanship or materials, then the Buyer will be responsible for the cost of any necessary repairs. Buyers not satisfied with a determination that a problem is outside warranty coverage should contact Elektrim Motors.

Intended Use: Elektrim motors are designed for commercial and/or industrial use.

Product Specification: All motor specifications, applications and other information provided in Elektrim catalogs and publications are subject to correction and change without notice and should be confirmed with Elektrim Motors prior to ordering.

No Other Warranties and Liability Limitation: This Limited Warranty and Service Policy represents Elektrim Motors' sole and exclusive warranty obligation with respect to Elektrim motors. Elektrim Motor's liability to a Buyer or any other person shall not exceed the Elektrim Motors sales price of the applicable motor. ELEKTRIM DISCLAIMS ALL OTHER EXPRESS AND IMPLIED WARRANTIES INCLUDING THE IMPLIED WARRANTIES OF FITNESS FOR A PARTICULAR PURPOSE AND MERCHANTABILITY.

Authorized Service Center Policy

The requirements for becoming an Elektrim Authorized Center are as follows:

- The repair shop must be a member of EASA (any exceptions must be approved).
- The repair shop must subscribe to and implement EASA standards for testing and repair.
- The repair shop must abide by the Elektrim Authorized Service Center Policy procedures and fee schedule.

Procedures:

1. Write or call Elektrim Motors prior to performing work on our product.
2. Once clearance is given, inspect motor for failure due to workmanship or material defect.
3. Prepare Elektrim Warranty report on motor failure cause.
4. Forward a detailed copy of report and nameplate to Elektrim for review. Actual report and nameplate will need to be in Elektrim files at 2015 S. Mitchell Blvd., Schaumburg, IL 60193.
5. Elektrim will make the final determination as to repair or replace.
6. Elektrim reserves the right to supply all motor parts necessary for motor repair.

Fee Schedule; Frame Inspection Fee Maximum

140 frames	\$35.00	280 frames	\$60.00	440 frames	\$125.00
180 frames	\$40.00	320 frames	\$65.00	580 frames	\$150.00
210 frames	\$45.00	360 frames	\$80.00		
250 frames	\$50.00	400 frames	\$100.00		

Comments and Questions: We welcome comments and questions regarding our products. Please contact Customer Service at: 855-Go-Elektrim (855-463-5358) or support@elektrimmotors.com

Any comments, ideas, suggestions or other communications sent to Elektrim shall be and remain the exclusive property of Elektrim and can be used by Elektrim in any manner without compensation to you.

Frequently Asked Questions – Mechanical

On vertical mounting, is it okay to mount your motors both shaft up and down?

Yes. In general, motors up to 445T frame can be mounted vertically shaft up and down. Motors installed vertically must be protected from weather conditions. Larger motors are horizontal operation only. See individual product pages for details.

On motors, are the fans UNI or bidirectional?

All NEMA motors are equipped with bidirectional fans.

Is it better to install a DE roller bearing on the motors?

It depends on the application. A DE roller bearing is always preferred for belted drive applications. In direct coupling applications, always use ball bearing motors.

What kind of bearings do you use on your motors?

32N Series motors up to 215T frame and 20, 31N and 40 Series motors up to NEMA 286T and IEC180L frame are equipped with oversized double-shielded bearings. Larger motors have oversized regreasable bearings. See individual product pages for details.

What kind of grease should I use to re-grease your bearings?

We use lithium grease in our regreasable bearings, e.g. POLYREX® EM or other equivalent mineral motor grease. Please look to manual for details and regreasing schedule.

Do I have to re-grease the bearings of a new motor?

It depends on how long the motor was stocked. Every motor with regreasable bearings which has been stocked for over 6 months has to be re-greased before usage.

How often should I re-grease the bearings?

It depends on the motor's RPM and usage. Regreasable bearings should be re-greased according to the recommendation in the manual of that particular motor.

Where is the junction box located on your Metric motors?

Metric IE2 and IE3 (20M) and (40M motors up to IEC180 frame) have the junction box on top of the motor. Metric (40M motors IEC200 - IEC315) have the junction box in the F2 position which is convertible to F1.

Should the drain holes always be opened?

The drain holes have to be open when the motor is operating in a high humidity atmosphere or low temperature environment.

What does IM B35 mean for Metric motors?

It means that the motors are equipped with D-Flange and Feet. Other descriptions are as follows: IM B3 = Footed, IM B34 = C-Face and Footed.

At what frame does the factory begin locking the shaft before shipment?

NEMA motors starting from 320T frame and Metric motors starting from IEC200 frame have shafts locked prior to shipment.

Do your motors have removable feet?

We offer removable feet on our motors as follows: 20N series 324T frame and up; Metric 20M and 40M series up to IEC132 frame. Metric 20M and 40M series from IEC90 - IEC112 frame also have rotatable feet.

Do you offer brake motors with flanges?

Yes. NEMA and Metric Brake motors are offered with all the same flanges as standard motors.

Can I convert your standard NEMA motor to F2 position?

All 31N, 32N, 40N and 20N series motors up to 286T frame can be converted to F2 position. Rolled Steel and 580 frame motors are F1 only.

Do you offer D-Flange NEMA motors?

We offer D-Flanges for 31N series motors ranging from 143TD-365TD and 20N series motors ranging from 324TD - 445TD.

Do your motors have a threaded hole inside the end shaft?

All Metric motors have a threaded hole inside the end shaft according to IEC standard (See page 59 - Metric IEC and NEMA Dimensional Comparison and Bearing Charts page for details). NEMA 20N and 40N series motors 320T up to 449T frame have a M20 threaded hole.

When are blowers required on your motors?

Blowers will be required for all constant torque applications where the turn down ration exceeds VFD capability.

Frequently Asked Questions – Electrical

Are your motors Inverter Rated?

Yes. All three phase motors are inverter duty rated. See individual product pages for specific inverter duty ratings for each product group.

Are your NEMA motors suitable for Y/Delta and Part Winding starting?

Yes. In general, standard motors starting from 213T frame are suitable for Y/Delta starting at 460V. Motors up to 100HP are suitable for Part Winding at 230V and motors 125HP and up are suitable for Part Winding starting at 460V. See individual product pages for specific starting for each product group.

Can your NEMA motors run at 208V?

NEMA Motors up to 400 frame are suitable at 208V. The connection diagram is the same as 230V. Max amps at 208V are placed on the nameplate.

Do you offer dual-rated motors for 60Hz / 50Hz?

All 3-Phase motors are dual rated for 60/50Hz on the standard nameplate. See individual product pages for specific rating information for each product group.

Do you offer 575V motors from stock?

Yes. NEMA motors 1-100HP and Metric motors IEC132 and larger can be re-rated to 575V with nominal HP.

Do you offer motors with non-standard voltages and HP?

Many NEMA and metric motors can be re-rated for different voltages, HP and/or frequency based on application, duty cycle, ambient temperature and service factor required. Please contact Elektrim Motors Customer Support to discuss your special application requirements.

What brake type do you use on your Brake motors – DC or AC?

Our Brake motors are equipped with DC disc brake with a 460V AC rectifier placed inside the junction box.

On request, the 460V AC rectifier can be replaced with a 230V AC rectifier.

Can I order a NEMA motor with a terminal board?

Yes. We offer NEMA motors with optional terminal boards.

Do you offer terminal boards on your Metric motors?

Yes. Elektrim Metric motors up to 112M frame are equipped with terminal boards as standard. Metric motors starting from IEC132 have 12 leads (Double Delta / Delta connection diagram at 230/460V) and can be equipped with optional terminal board.

Do you offer motors with thermal sensors?

Explosion Proof, 20 and 40 Series motors starting from 320 frame (including Metric 200L and up) are equipped with thermistors in windings as standard. Other motors can be equipped with different thermal sensors as an option.

Must an inductor be used between motor and drive?

Any motor connected to an inverter drive with power leads that exceed 100 ft. should have an inductor between the motor and drive.

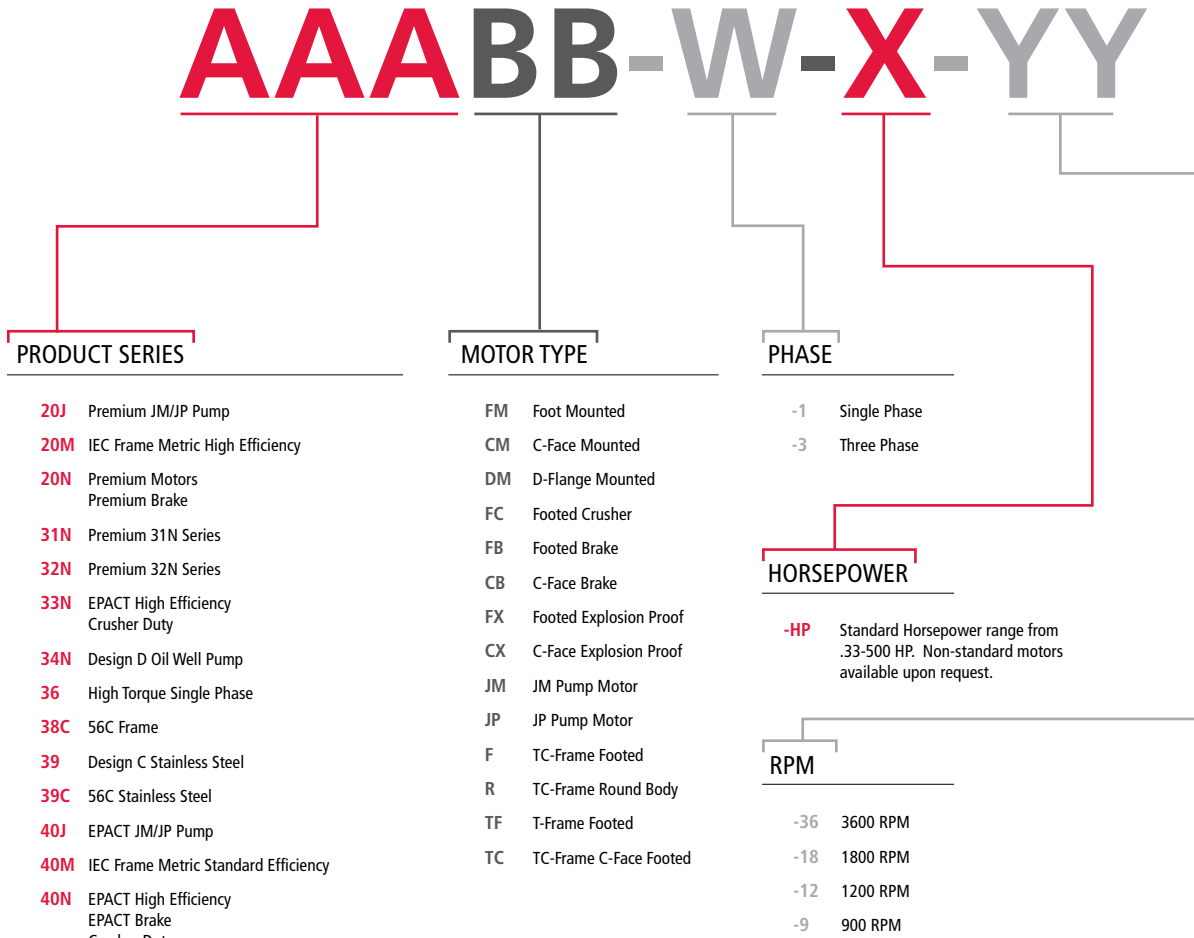
What kind of starter do you prefer for your motors?

We prefer starters that include a circuit breaker, contactor and overload. A II starters should be sized according to National Electrical Code.

What are your windings made out of?

Stator windings are made out of copper. The rotor cage is made out of aluminum alloy.

Motor Part Number Nomenclature



When the product series contains a letter after its 2-digit prefix, it implies the following:

- J** JM or JP Close Coupled Pump Motor
- C** 56C Frame Motor
- M** IEC Frame Metric Motor
- N** NEMA Frame Motor

ADDITIONAL SUFFIXES

added to the end of Part Number where applicable:

- /F2 = F2 Conduit Box
- CI = All Cast Iron
- /1 = Non-Standard C-Face Metric Motor.

Which Motor Belongs to What Series

We utilize the term "series" to distinguish groups of our motors within a particular product line that have the same set of unique features and country of manufacture. For customer ease, the series is the same as the part number prefix, and is usually the first 2 digits and succeeding letter. For example, the series that motor part number 31NFM-3-5-18 belongs to is "31N."

Catalog Notes

- V Vacuum pressure impregnation (VPI) applied.
- 1 Motor is CSA certified for Class I, Division II, Group A,B,C,D Temp Code T3C rating.
- 2 VFD capability 100:1VT
- 3 High locked rotor torque.
- 4 F1/F2 convertible.
- 5 UL recognized.
- 6 Oversized ball bearings on both ends.
- 7 Roller bearing on drive end.
- 8 Corrosion resistant epoxy coated.
- 9 Double drilled feet.
- 10 Usable for vertical applications.
- 11 Impregnation resin and winding wire Class "H" (DN2E200).
- 12 Low vibration level (below 2.2mm/sec).
- 13 Equipped with removable feet.
- 14 Equipped with rotatable feet.
- 15 Double shielded bearings.
- 16 Regreasable bearings.
- 17 Aluminum motor housing
- 18 Cast iron motor housing.
- 19 Terminal board as standard.
- 20 12 lead motors allow for 208/230/460/575/796V 60 Hz and 190/220/380/400/415/690V 50 Hz.
- 21 Suitable for part winding starting at 460V.
- 22 9 leads connection diagram double wye/wye.
- 23 12 leads connection diagram double delta/delta.
- 24 12 leads double delta.
- 25 Plastic fan as standard.
- 26 Cast iron fan as standard.
- 27 VFD capability 5:1CT & 10:1VT.
- 28 VFD capability 10:1CT & 20:1VT.
- 29 VFD capability 3:1CT & 5:1VT.
- 30 Motor rated 380V 50 Hz with lower HP output.
- 31 TENV Totally enclosed non-ventilated motor.
- 32 Special 12-lead 575V "S" wiring diagram suitable for D-O-L and soft start startup only.
- 33 575V "Y" 9-lead wiring diagram
- 34 Rectifier is exclusively 460V AC (or 230V AC on request)

Standards

NEMA Premium® motors comply with the following NEMA and CSA standards:

NEMA MG 1-2011
CSA C390-10
IEEE 112-2004
CSA-C22.2 No. 100-04
UL 1004-1

The information contained herein is subject to change without notice. Neither Elektrim Motors or Toolmex Industrial Solutions shall be held liable for technical or editorial errors or omissions contained herein. We do our best to maintain full and complete inventories of all standard stock lines. Discontinued lines are sold while supplies last, and may be substituted or replaced with comparable merchandise subject to prior sales at our discretion. Photos and drawings used are a general representation, and may include different exterior packaging and options. Catalog Printed in China.

Elektrim Motors and Toolmex Industrial Solutions are trademarks of Toolmex Corporation, Inc.
All other trademarks and trade names are the property of their respective owners. All rights reserved.

Elektrim[®] Motors

SOLUTIONS TO MEET YOUR NEEDS

www.elektrimmotors.com or call **855-Go-Elektrim**



SOLUTIONS TO MEET YOUR NEEDS

2015 S. Mitchell Blvd., Schaumburg, IL 60193 • support@elektrimmotors.com
+1-847-524-1074 • +1-855-463-5358 • Fax +1-847-524-9996



Scan and Explore

Distributed by



©2014 Elektrim Motors. All rights reserved.
All specifications on this sheet are subject to change without notice. Photos shown are a general representation of the various models and may include some optional equipment. Elektrim Motors is a trademark of Toolmex Industrial Solutions.

4-999-6099 12-14 2.4



ADDENDUM



IEC Frame Metric Motors – 1-25 HP

3PH TEFC 50/60 Hz AC B35 Reduction D-Flange Motors

Applications: Designed to meet international standards as replacement motors for overseas applications and machinery such as pumps, conveyors, fans and more.

Features

- Inverter Duty Rated: 5:1CT & 10:1VT at 460V 60 Hz
- Service Factor: up to 1.2 at 460V 60 Hz
- Design: "N" or "H"
- Protection Degree: IP55
- Enclosure: TEFC
- High lock rotor torque
- VPI process applied for best electrical performance
- IEC132 frame and larger suitable for Y/Delta starting
- Electromagnetic compatibility standards: EN 50081-1(2) and EN 50082-1(2)
- Nameplate rated 230/460V 60 Hz and 380/400V 50 Hz
- Oversized ball bearings on both ends for direct coupling
- Class "F" insulation
- Junction box equipped with glands
- F3 mounting position
- Drilled and tapped end shaft
- Drain plugs
- Bidirectional fan
- All motors provided with CE mark
- Warranty: 3-Years

HP	kW	RPM	Frame	EFF	PF	Voltage	Full Load Amps	IEC Class	IEC Design	Net Weight	D-Flange B35 Reduction Part Number	List Price	Notes (a)
1	0.75	1200	90S	80	65	230/460V	3.6/1.8	IE2	H	36.4	20MDM-3-1-12/R	716.00	13,14,15,17,19
1.5	1.1	1800	90S	84	72	230/460V	4.6/2.3	IE2	H	36	20MDM-3-1.5-18/R	690.00	13,14,15,17,19
2	1.5	3600	90S	85.5	79	230/460V	5.6/2.8	IE3	N	31	20MDM-3-2-36/R	671.00	13,14,15,17,19
		1800	90L	84	74	230/460V	6/3	IE2	H	42	20MDM-3-2-18/R	731.00	13,14,15,17,19
3	2.2	3600	90L	86.5	80	230/460V	8/4	IE3	N	38	20MDM-3-3-36/R	832.00	13,14,15,17,19
		1800	100L	87.5	79	230/460V	8/4	IE2	H	56	20MDM-3-3-18/R	823.00	13,14,15,17,19
		1200	112M	87.5	72	230/460V	8.8/4.4	IE2	H	71	20MDM-3-3-12/R	1,237.00	13,14,15,17,19
4	3	3600	100L	88.5	81	230/460V	10.6/5.3	IE3	N	59	20MDM-3-4-36/R	921.00	13,14,15,17,19
		1800	100L	87.5	74	230/460V	11.6/5.8	IE2	H	66	20MDM-3-4-18/R	947.00	13,14,15,17,19
		1200	132S	87.5	76	230/460V	11.4/5.7	IE2	H	119	20MDM-3-4-12/R	1,633.00	13,15,18,20,23
5.5	4	3600	112M	89	85	230/460V	13.2/6.6	IE3	N	74	20MDM-3-5.5-36/R	1,012.00	13,14,15,17,19
		1800	112M	87.5	78	230/460V	14.8/7.4	IE2	H	78	20MDM-3-5.5-18/R	1,010.00	13,14,15,17,19
		1200	132M	87.5	76	230/460V	15/7.5	IE2	H	146	20MDM-3-5.5-12/R	1,643.00	13,15,18,20,23
7.5	5.5	3600	132S	89.5	88	230/460V	17.6/8.8	IE3	N	132	20MDM-3-7.5-36/R	1,254.00	13,15,18,20,23
		1800	132S	89.5	79	230/460V	19.6/9.8	IE2	H	156	20MDM-3-7.5-18/R	1,426.00	13,15,18,20,23
		1200	132M	89.5	77	230/460V	22.4/11.2	IE2	H	159	20MDM-3-7.5-12/R	2,668.00	13,15,18,20,23
10	7.5	3600	132S	90.2	91	230/460V	23/11.5	IE3	N	156	20MDM-3-10-36/R	1,419.00	13,15,18,20,23
		1800	132M	89.5	80	230/460V	26.2/13.1	IE2	H	162	20MDM-3-10-18/R	1,638.00	13,15,18,20,23
		1200	160M	89.5	80	230/460V	26.2/13.1	IE2	H	221	20MDM-3-10-12/R	2,764.00	15,18,20,23
15	11	3600	160M	91	86	230/460V	35.2/17.6	IE3	N	212	20MDM-3-15-36/R	1,978.00	15,18,20,23
		1800	160M	91	80	230/460V	38/19	IE2	H	234	20MDM-3-15-18/R	2,030.00	15,18,20,23
		1200	160L	90.2	82	230/460V	37.4/18.7	IE2	H	276	20MDM-3-15-12/R	3,281.00	15,18,20,23
20	15	3600	160M	91	89	230/460V	46.4/23.2	IE3	N	227	20MDM-3-20-36/R	2,344.00	15,18,20,23
		1800	160L	91	80	230/460V	51.8/25.9	IE2	H	278	20MDM-3-20-18/R	2,437.00	15,18,20,23
25	18.5	3600	160L	91.7	90	230/460V	56.2/28.1	IE3	N	260	20MDM-3-25-36/R	2,827.00	15,18,20,23

Performance Data & Mounting Dimensions: 20M Series Pages 78-84

Premium Efficient Motors

Motors can be modified from Footed to C-Face or D-Flange and vice versa.
Motors are dual rated for 50 Hz and 60 Hz: 380/400V 50 Hz and 230/460V 60 Hz
(a) See notes on inside back cover.





IEC Frame Metric Motors – 0.08-20 HP

3PH TEFC 50/60 Hz AC B34/1 Increased C-Face Motors

Applications: Designed to meet international standards as replacement motors for overseas applications and machinery such as pumps, conveyors, fans and more.

Features

- Inverter Duty Rated: 5:1CT & 10:1VT at 460V 60 Hz
- Service Factor: up to 1.2 at 460V 60 Hz
- Design: "N" or "H"
- Protection Degree: IP55
- Enclosure: TEFC
- High lock rotor torque
- VPI process applied for best electrical performance
- IEC132 frame and larger suitable for Y/Delta starting
- Electromagnetic compatibility standards: EN 50081-1(2) and EN 50082-1(2)
- Nameplate rated 230/460V 60 Hz and 380/400V 50 Hz
- Non-standard B34/1 C-Flange available upon request
- Oversized ball bearings on both ends for direct coupling
- Class "F" insulation
- Junction box equipped with glands
- F3 mounting position
- Drilled and tapped end shaft
- Drain plugs
- Bidirectional fan
- All motors provided with CE mark
- Warranty: 3-Years

HP	kW	RPM	Frame	EFF	PF	Voltage	Full Load Amps	IEC Class	IEC Design	Net Weight	C-Face B34/1 Increased Part Number	List Price	Notes ^(a)
0.08	0.06	1800	56	55	66	230/460V	0.44/0.22	IE1	–	5.9	40MCM-3-.08-18/1	220.00	13,15,17,19
		3600	56	58	75	230/460V	0.56/0.28	IE1	–	6.6	40MCM-3-.12-36/1	227.00	13,15,17,19
0.12	0.09	1800	56	61	65	230/460V	0.6/0.3	IE1	–	6.4	40MCM-3-.12-18/1	227.00	13,15,17,19
		3600	56	63	83	230/460V	0.6/0.3	IE1	–	7.5	40MCM-3-.17-36/1	231.00	13,15,17,19
0.17	0.12	1800	63	64	72	230/460V	0.7/0.35	IE1	–	7.9	40MCM-3-.17-18/1	235.00	13,15,17,19
		3600	63	65	80	230/460V	1/0.5	IE1	–	7.9	40MCM-3-.25-36/1	237.00	13,15,17,19
0.25	0.18	1800	63	64	70	230/460V	1.1/0.55	IE1	–	9.3	40MCM-3-.25-18/1	243.00	13,15,17,19
		1200	71	57	68	230/460V	1.4/0.7	IE1	–	10.8	40MCM-3-.25-12/1	275.00	13,15,17,19
		3600	63	68	83	230/460V	1.1/0.55	IE1	–	9.3	40MCM-3-.33-36/1	250.00	13,15,17,19
0.33	0.25	1800	71	66	68	230/460V	1.4/0.7	IE1	–	10.6	40MCM-3-.33-18/1	250.00	13,15,17,19
		1200	71	55	70	230/460V	1.8/0.9	IE1	–	12.8	40MCM-3-.33-12/1	291.00	13,15,17,19
		3600	71	71	68	230/460V	1.8/0.9	IE1	–	11.7	40MCM-3-.50-36/1	267.00	13,15,17,19
0.5	0.37	1800	71	68	68	230/460V	2/1	IE1	–	13	40MCM-3-.50-18/1	267.00	13,15,17,19
		1200	80	64	64	230/460V	2.4/1.2	IE1	–	16	40MCM-3-.50-12/1	352.00	13,15,17,19
		3600	71	75	85	230/460V	2.4/1.2	IE1	–	13.2	40MCM-3-.75-36/1	291.00	13,15,17,19
0.75	0.55	1800	80	70	72	230/460V	3/1.5	IE1	–	16.5	40MCM-3-.75-18/1	332.00	13,15,17,19
		1200	80	67	72	230/460V	3.2/1.6	IE1	–	19	40MCM-3-.75-12/1	396.00	13,15,17,19
		3600	80	74	80	230/460V	3.2/1.6	IE1	–	17.2	40MCM-3-1-36/1	364.00	13,15,17,19
1	0.75	1800	80	75	73	230/460V	3.4/1.7	IE1	–	19.4	40MCM-3-1-18/1	339.00	13,15,17,19
		1200	90S	80	65	230/460V	3.6/1.8	IE2	H	36.4	20MCM-3-1-12/1	716.00	13,14,15,17,19
		3600	80	77	84	230/460V	4.4/2.2	IE1	–	20.1	40MCM-3-1.5-36/1	395.00	13,15,17,19
1.5	1.1	1800	90S	84	72	230/460V	4.6/2.3	IE2	H	36	20MCM-3-1.5-18/1	690.00	13,14,15,17,19
		3600	90S	85.5	79	230/460V	5.6/2.8	IE3	N	31	20MCM-3-2-36/1	671.00	13,14,15,17,19
2	1.5	1800	90L	84	74	230/460V	6/3	IE2	H	42	20MCM-3-2-18/1	731.00	13,14,15,17,19

Performance Data & Mounting Dimensions: 20M Series Pages 78-84, 40M Series Pages 77-84

Premium Efficient Motors

Motors can be modified from Footed to C-Face or D-Flange and vice versa. Motors are dual rated for 50 Hz and 60 Hz: 380/400V 50 Hz and 230/460V 60 Hz

^(a) See notes on inside back cover.



IEC Frame Metric, 3-Phase, AC B34/1 Increased C-Face Motors

HP	kW	RPM	Frame	EFF	PF	Voltage	Full Load Amps	IEC Class	IEC Design	Net Weight	C-Face B34/1 Increased Part Number	List Price	Notes ^(a)
3	2.2	3600	90L	86.5	80	230/460V	8/4	IE3	N	38	20MCM-3-3-36/1	832.00	13,14,15,17,19
		1800	100L	87.5	79	230/460V	8/4	IE2	H	56	20MCM-3-3-18/1	823.00	13,14,15,17,19
		1200	112M	87.5	72	230/460V	8.8/4.4	IE2	H	71	20MCM-3-3-12/1	1,237.00	13,14,15,17,19
4	3	3600	100L	88.5	81	230/460V	10.6/5.3	IE3	N	59	20MCM-3-4-36/1	921.00	13,14,15,17,19
		1800	100L	87.5	74	230/460V	11.6/5.8	IE2	H	66	20MCM-3-4-18/1	947.00	13,14,15,17,19
		1200	132S	87.5	76	230/460V	11.4/5.7	IE2	H	119	20MCM-3-4-12/1	1,633.00	13,15,18,20,23
5.5	4	3600	112M	89	85	230/460V	13.2/6.6	IE3	N	74	20MCM-3-5-36/1	1,012.00	13,14,15,17,19
		1800	112M	87.5	78	230/460V	14.8/7.4	IE2	H	78	20MCM-3-5-18/1	1,010.00	13,14,15,17,19
		1200	132M	87.5	76	230/460V	15/7.5	IE2	H	146	20MCM-3-5-12/1	1,643.00	13,15,18,20,23
7.5	5.5	3600	132S	89.5	88	230/460V	17.6/8.8	IE3	N	132	20MCM-3-7.5-36/1	1,254.00	13,15,18,20,23
		1800	132S	89.5	79	230/460V	19.6/9.8	IE2	H	156	20MCM-3-7.5-18/1	1,426.00	13,15,18,20,23
		1200	132M	89.5	77	230/460V	22.4/11.2	IE2	H	159	20MCM-3-7.5-12/1	2,668.00	13,15,18,20,23
10	7.5	3600	132S	90.2	91	230/460V	23/11.5	IE3	N	156	20MCM-3-10-36/1	1,419.00	13,15,18,20,23
		1800	132M	89.5	80	230/460V	26.2/13.1	IE2	H	162	20MCM-3-10-18/1	1,638.00	13,15,18,20,23
		1200	160M	89.5	80	230/460V	26.2/13.1	IE2	H	221	20MCM-3-10-12/1	2,764.00	15,18,20,23
15	11	3600	160M	91	86	230/460V	35.2/17.6	IE3	N	212	20MCM-3-15-36/1	1,978.00	15,18,20,23
		1800	160M	91	80	230/460V	38/19	IE2	H	234	20MCM-3-15-18/1	2,030.00	15,18,20,23
		1200	160L	90.2	82	230/460V	37.4/18.7	IE2	H	276	20MCM-3-15-12/1	3,281.00	15,18,20,23
20	15	3600	160M	91	89	230/460V	46.4/23.2	IE3	N	227	20MCM-3-20-36/1	2,344.00	15,18,20,23
		1800	160L	91	80	230/460V	51.8/25.9	IE2	H	278	20MCM-3-20-18/1	2,437.00	15,18,20,23

Performance Data & Mounting Dimensions: 20M Series Pages 78-84, 40M Series Pages 77-84

Premium Efficient Motors

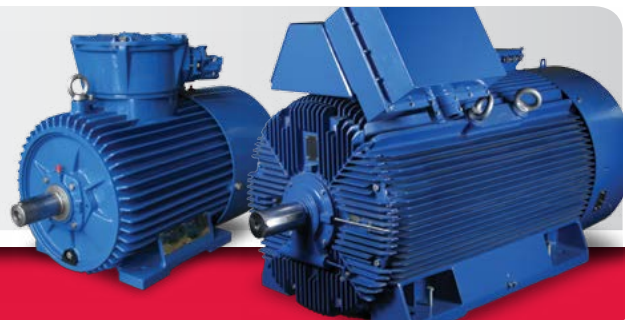
Motors can be modified from Footed to C-Face or D-Flange and vice versa.

Motors are dual rated for 50 Hz and 60 Hz: 380/400V 50 Hz and 230/460V 60 Hz

^(a) See notes on inside back cover.

ADVANCED CAPABILITIES Metric IEC

Large Frame Metric IEC motors up to 6300 HP,
Brake, Medium Voltage and more!



→ → → LEARN MORE pages 26-29

575V IEC Frame Metric Motors – 4-25 HP

3PH TEFC 60 Hz AC B35 Reduction D-Flange and B34 Increased C-Face Motors

Ordering Information: Motors are re-rated from stock models to 575V. Lead time for re-rates is (1) business day and is subject to availability of stock motors in the Schaumburg, Illinois Warehouse.

HP	kW	RPM	Frame	Volt	D-Flange B35 Reduction Part Number	Motor List Price	Notes (a)
4	3	1200	132S	575V	20MDM-3-4-12/R/575	1,742.00	32
5.5	4	1200	132M	575V	20MDM-3-5.5-12/R/575	1,752.00	32
7.5	5.5	3600	132S	575V	20MDM-3-7.5-36/R/575	1,363.00	32
		1800	132S	575V	20MDM-3-7.5-18/R/575	1,535.00	32
		1200	132M	575V	20MDM-3-7.5-12/R/575	2,777.00	32
10	7.5	3600	132S	575V	20MDM-3-10-36/R/575	1,528.00	32
		1800	132M	575V	20MDM-3-10-18/R/575	1,747.00	32
		1200	160M	575V	20MDM-3-10-12/R/575	2,873.00	32
15	11	3600	160M	575V	20MDM-3-15-36/R/575	2,087.00	32
		1800	160M	575V	20MDM-3-15-18/R/575	2,139.00	32
		1200	160L	575V	20MDM-3-15-12/R/575	3,390.00	32
20	15	3600	160M	575V	20MDM-3-20-36/R/575	2,453.00	32
		1800	160L	575V	20MDM-3-20-18/R/575	2,546.00	32
25	18.5	3600	160L	575V	20MDM-3-25-36/R/575	2,936.00	32

HP	kW	RPM	Frame	Volt	C-Face B34 Increased Part Number	Motor List Price	Notes (a)
4	3	1200	132S	575V	20MCM-3-4-12/1/575	1,742.00	32
5.5	4	1200	132M	575V	20MCM-3-5.5-12/1/575	1,752.00	32
7.5	5.5	3600	132S	575V	20MCM-3-7.5-36/1/575	1,363.00	32
		1800	132S	575V	20MCM-3-7.5-18/1/575	1,535.00	32
		1200	132M	575V	20MCM-3-7.5-12/1/575	2,777.00	32
10	7.5	3600	132S	575V	20MCM-3-10-36/1/575	1,528.00	32
		1800	132M	575V	20MCM-3-10-18/1/575	1,747.00	32
		1200	160M	575V	20MCM-3-10-12/1/575	2,873.00	32
15	11	3600	160M	575V	20MCM-3-15-36/1/575	2,087.00	32
		1800	160M	575V	20MCM-3-15-18/1/575	2,139.00	32
		1200	160L	575V	20MCM-3-15-12/1/575	3,390.00	32
20	15	3600	160M	575V	20MCM-3-20-36/1/575	2,453.00	32
		1800	160L	575V	20MCM-3-20-18/1/575	2,546.00	32

Premium Efficient Motors

Motors can be modified from Footed to C-Face or D-Flange and vice versa.

^(a) See notes on inside back cover.

For Standard Product Line Features and Specifications, visit pages 20-25.