



# Horizontal Helix Detachable Magnet-drive Water Meter Type LXLG-50-200 For Cold Water



### Special Features :

- Digital-Wheel counter mechanism for direct reading.
- Large range for measuring, good accuracy in flowrate.
- High continuous flow capacity, lower head loss.
- Steady curve characteristics.
- Performance of type LXLG water meter is up to standard ISO4064 B.

### Meter Design :

- Solid and robust design, long service guaranteed.
- Selected high quality materials guarantee absolute corrosion resistance.
- Universal interchangeable measuring insert.
- Outer calibration device.

### Working Condition :

Water temperature:  
For Cold Water:  $\leq 30^{\circ}\text{C}$   
Water Pressure:  $\leq 1\text{MPa}$

### Metrological data :

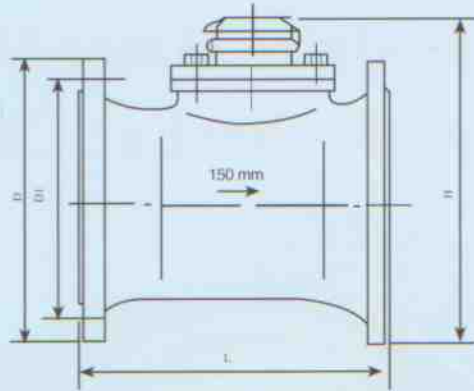
Meter Size DN mm	Measuring Class	Nominal Flowrate Qn m <sup>3</sup> /h	Minimum Flowrate Qmin	Transitional Flowrate Qt	Min. reading	Max reading
			m <sup>3</sup> /h			
50	A	15	1.2	4.5	0.01	999999.99
	B		0.45	3		
80	A	40	3.2	12		
	B		1.2	8		
100	A	60	4.8	18		
	B		1.8	12		
150	A	150	12	45	0.1	9999999.9
	B		4.5	30		
200	A	250	20	75		
	B		7.5	50		



Easy for measuring-insert interchange and maintenance

# Horizontal Helix Detachable Magnet-drive Water Meter Type LXLG-50-200 For Cold Water

Dimensions and weights :

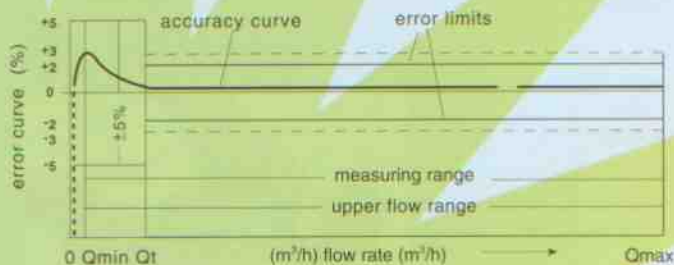


DN mm	Length (L) mm	Height (H) mm	connecting flange			Weight kg
			outer dia. D	bolt circle dia. D1	Conneting bolt x pcs	
50	200	255	165	125	M16 x 4	12.8
80	225	269	200	160	M16 x 8	15.4
100	250	279	220	180	M16 x 8	17.6
150	300	309	285	240	M20x 8	28
200	350	375	340	295	M20x 8	38.5

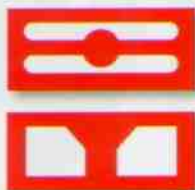
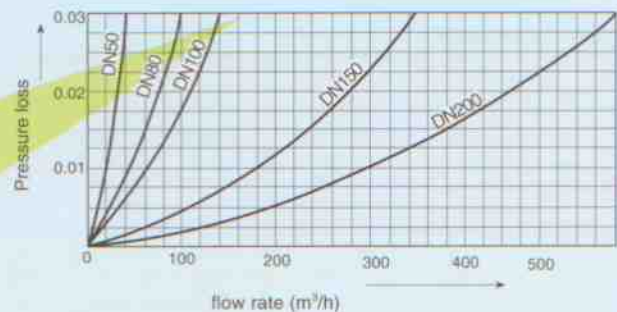
## Feature curve diagram :

Reading error: The Max. reading error between  $Q_{max}$  (max. flowrate) and  $Q_t$  (Transitional flowrate) for cold water meter is  $\pm 2\%$ .  
The Max. reading error between  $Q_e$  (Transitional flowrate) and  $Q_{min}$  (minimum flowrate) not including  $Q_t$ , is  $\pm 5\%$ .

Flow error curve :



Pressure loss curve:



## PT SINAR MAS ANDHIKA

Head Office : Jl. Kenari II No. 4, Salemba, Jakarta 10430, Indonesia  
Website : [www.sinarmasandhika.com](http://www.sinarmasandhika.com)

**Office**

Phone: 021-3903984, 3903988, 3903989  
Fax: 021-3101237, 3900786, 3900459