



# Woltex M

Horizontal Woltmann meter with extended accuracy range for water distribution applications

Woltex M is a horizontal Woltmann meter available in sizes from DN 50 to 500. With its extended accuracy range it is dedicated to all applications around water distribution where high reliability and accuracy is requested.

## FEATURES AND BENEFITS

- » Hermetically sealed register (copper can/mineral glass envelope)
- » Extended range approval
- » Interchangeable approved mechanisms without re-calibration
- » Pre-equipped through Cyble as a standard

## Extended Approved Range

Variable Qn EEC/ISO approval of Woltex M ensures an unmatched approved range of 107:1 (from Qmin to Qmax) instead of 66:1 for standard class B meters. This is ensuring accurate and reliable data collection in a large scope of flow-rates typical of water network applications. Leakage detection as far as peak demands are accurately monitored initially and over time.

## Endurance & Peak Flow Resistance

This extended approval is the result of more than twenty years experience in Horizontal Woltmann design, from the first hydrodynamically balanced helix patent in 1985 still resulting in unmatched endurance capabilities to the use of high quality materials.

## Ease of Installation, Read and Maintenance

Woltex M range is available in various lengths and connections to minimize installation costs. Interchangeable approved mechanisms allows easy maintenance without re-calibration. Ease of read in the toughest environments (ie: flooded pits) is secured by orientable hermetically sealed register (copper can/mineral glass envelope).

## Communication Device

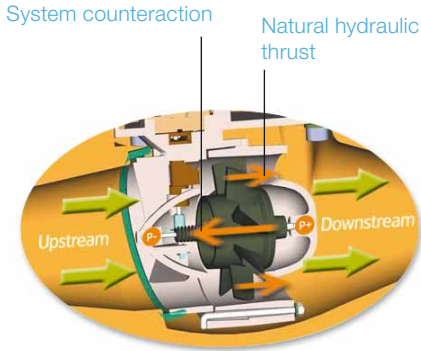
Pre-equipped for future communication through Cyble.

**WORKING PRINCIPLE**

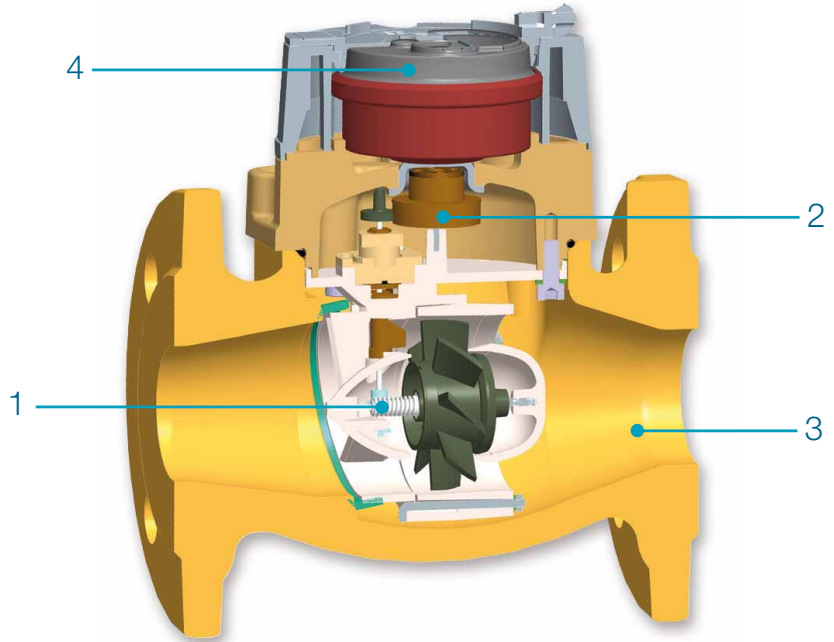
The water velocity is rotating the horizontal axis propeller. Special shape of its inlet and outlet bearing **1** is counteracting the natural hydraulic thrust applied on the propeller then preventing any downstream pivot wear.

This hydrodynamic balance was firstly patented on Woltex range in 1985 and still features Woltex with unmatched enduring capacities. This results in a meter able to withstand sustained high flows without impacting low flow accuracy.

This allows Woltex to be approved according the provisions of EEC/ISO with variable Qn extended range. The propeller rotation is transmitted by a protected transmission and direct magnetic coupling **2** to the register. The cast iron body **3** is durably protected against the effects of corrosion by epoxy powder coating. The hermetically sealed copper can/mineral glass register **4** is safeguarding the read and integrity of the indicator in the toughest environments (flooded pits, mechanical tampering attempts, ...).



Hydrodynamic balance of helix



**COMMUNICATION**

**Woltex M is supplied pre-equipped with Cyble Target**

Allows communication and remote reading through:

- » Pulse output (Cyble Sensor)
- » M-Bus protocol (Cyble M-Bus)
- » Radio frequency wireless link (Cyble RF)

Compatible with Itron complete offer for Metering Point Management (Automated Remote Reading, Metering Point Analyser, Automated Meter Data Collection):

- » AnyQuest
- » EverBlu
- » WaterMind

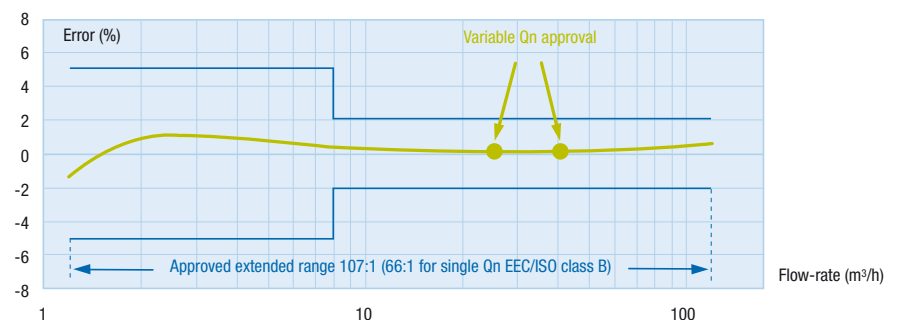
These Cyble modules allow the Woltex M meter to be connected with various associated systems if and when desired.

They are particularly adapted to commercial and industrial applications where a need for frequent meter monitoring is expressed especially in hard-to-read locations.



Cyble RF fitted on Woltex M with specific lid

**VARIABLE QN APPROVED RANGE**



## METROLOGICAL CHARACTERISTICS

### Typical Performance

Nominal diameter (DN)	mm	50	65	80	100	125	150	200	250	300	400	500	
	inches	2"	2" ½	3"	4"	5"	6"	8"	10"	12"	16"	20"	
Starting flowrate*	m³/h	0.19	0.22	0.3	0.38	0.4	1	1.6	3	10	15	20	
Accuracy ± 2% from*	m³/h	0.4	0.6	1.2	1.5	1.5	3	3.5	5	15	30	40	
Accuracy ± 5% from*	m³/h	0.35	0.5	0.75	0.9	1.2	1.5	2.5	3.5	12	25	30	
Admissible peak flow (10' max)	m³/h	90	200	250	300	300	700	1000	1500	2500	4500	7000	
Max. admissible flowrate (continuous)	m³/h	50	80	120	200	200	500	800	1200	2000	3000	5000	
Head loss at Qmax	bar	0.2	0.5	0.55	0.23	0.23	0.15	0.12	0.12	0.2	0.17	0.3	
Max. admissible temperature	°C							50					
Max. admissible pressure	bar							20					
Min. scale interval	L					0.2				2			
Indicating range	m³					999999.99				9999999.9			
Cyble HF pulse weight	L					10				100			

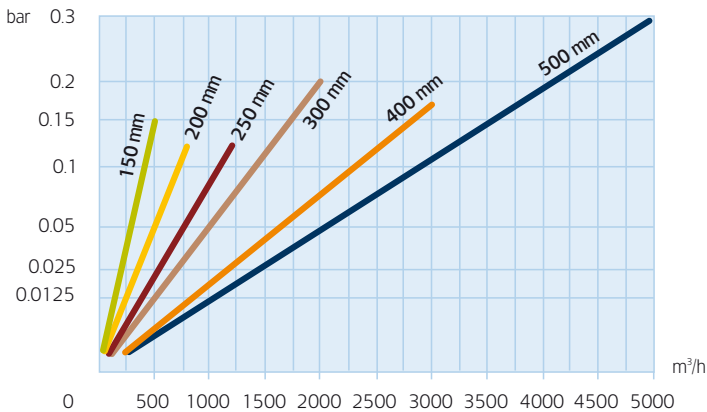
\* Average values.

### EEC Approval Values

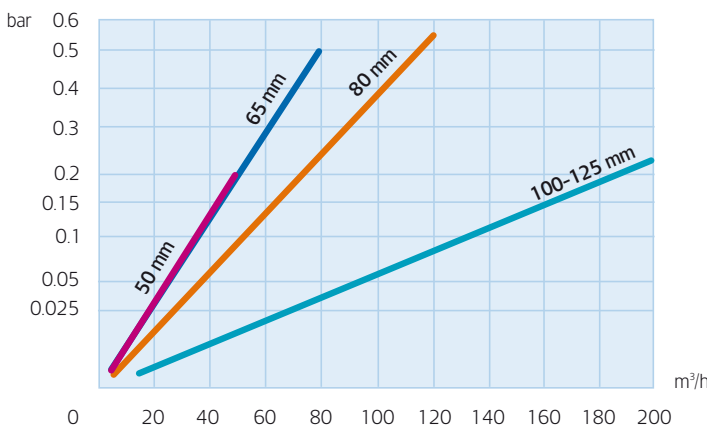
Nominal diameter (DN)	mm	50	65	80	100	125	150	200	250	300	400	500	
	inches	2"	2" ½	3"	4"	5"	6"	8"	10"	12"	16"	20"	
EEC/ISO class approval							Class B all positions						
Nominal flow rate Qn (variable)	m³/h	25	25	40	60	100*	150	250	400	600	1000	1500	
		15	40	60	100	-	250	400	600	1000	1500	2500	
Max. flow rate Qmax	m³/h	50	80	120	200	200	500	800	1200	2000	3000	5000	
Accuracy ± 2% class B: Qt from	m³/h	3	5	8	12	20	30	50	80	120	200	300	
Accuracy ± 5% class B: Qmin from	m³/h	0.45	0.75	1.2	1.8	3	4.5	7.5	12	18	30	45	
Max. working pressure	bar							20					
Max. temperature	°C							30					
EEC approval certificate							F-02-G071						

\* DN 125 single Qn approval only.

### HEAD LOSS



Woltex M DN100



Woltex M DN500 with Everblu module

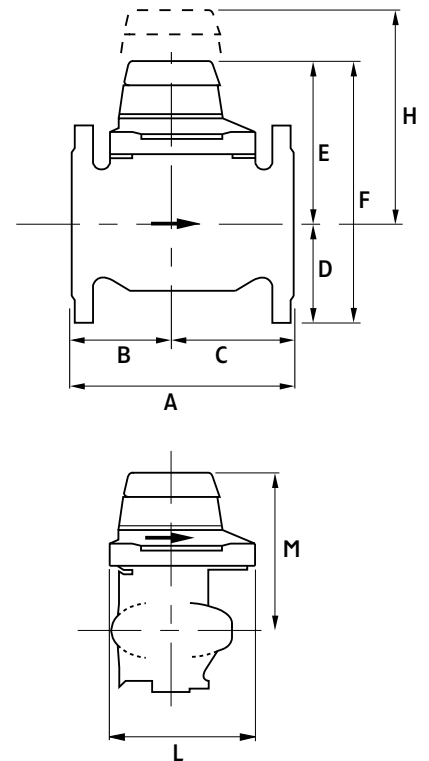
## Dimensions

Nominal diameter (DN)		mm	50	65	80	100	125	150	200	250	300	400	500	
			inches	2"	2" ½	3"	4"	5"	6"	8"	10"	12"	16"	20"
End connection*			Flange PN 10/16						Flange PN 10 or 16					
<b>&gt; Meter</b>														
A (length)	ISO	mm	200	200	200	250	250	300	350	450	500	600	800	
	DIN	mm	200	200	225	250	-	300	350	-	-	-	-	
	ISO long	mm	300	300	350	350	-	500	-	-	-	-	-	
	AS (Australia/UK)	mm	311	-	413	-	-	-	-	-	-	-	-	
B		mm	100	100	100	111	111	139	164	214	200	250	350	
C		mm	100	100	100	139	139	161	186	236	300	350	450	
D		mm	82.5	92.5	100	110	110	142.5	171	204	230	290	357.5	
E		mm	160	160	160	169	169	194	220	195	342	342	342	
F		mm	243	253	261	279	294	339	391	399	564	632	689	
G		mm	165	185	200	220	220	285	340	405	460	580	715	
H		mm	262	262	262	309	309	395	420	395	729	729	729	
Weight		Kg	11.4	12.6	14.1	19.5	19.5	34	55	75	175	255	390	
<b>&gt; Mechanism</b>														
L		mm	123	123	123	166	166	212	332	256	350	350	350	
l (max. width)		mm	148	148	148	182	182	273	276	276	426	426	426	
M		mm	160	160	160	169	241	194	195	195	342	342	342	
Weight		Kg	3	3	3	5.4	5.4	7.8	8.5	8.5	54	54	54	

\* Other drillings are available, under request

## INSTALLATION REQUIREMENTS

- » Woltex M could be installed regardless of position (EEC/ISO approval class B all positions).
- » Installation of a strainer upstream of the meter is recommended to protect the hydraulics against raw particles (see Itron strainer leaflet).
- » We recommend the installation of a flow straightener directly upstream of the meter to cancel the effects of hydraulic perturbations on Horizontal Woltmann accuracy (see Itron straightener leaflet).



Our company is the world's leading provider of smart metering, data collection and utility software systems, with over 8,000 utilities worldwide relying on our technology to optimize the delivery and use of energy and water.

To realize your smarter energy and water future, start here: [www.itron.com](http://www.itron.com)

For more information, contact your local sales representative or agency:

### ITRON WATER METERING

9, rue Ampère  
71031 Mâcon cedex  
France

**Phone:** +33 3 85 29 39 00

**Fax:** +33 3 85 29 38 58