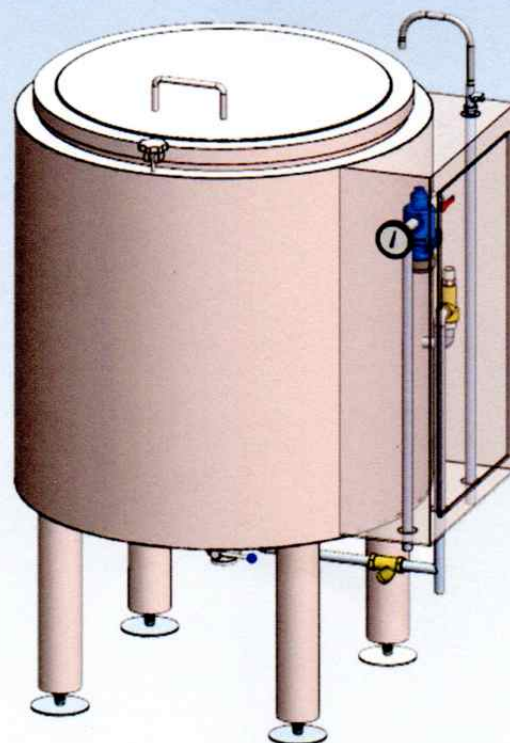
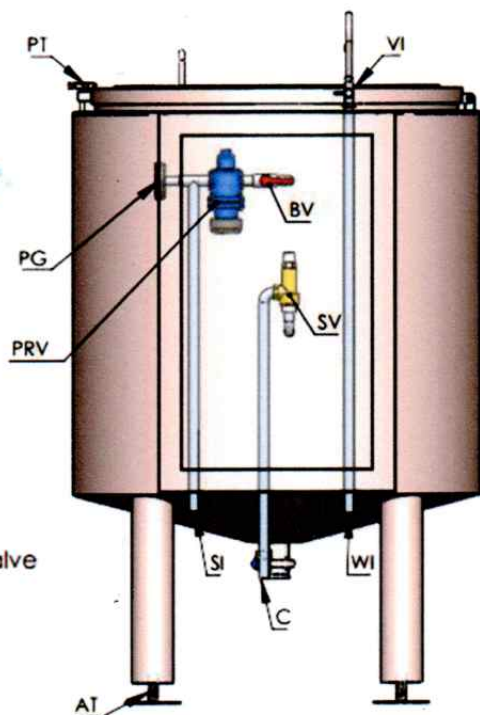


STEAM BOILING PAN IDM-S300

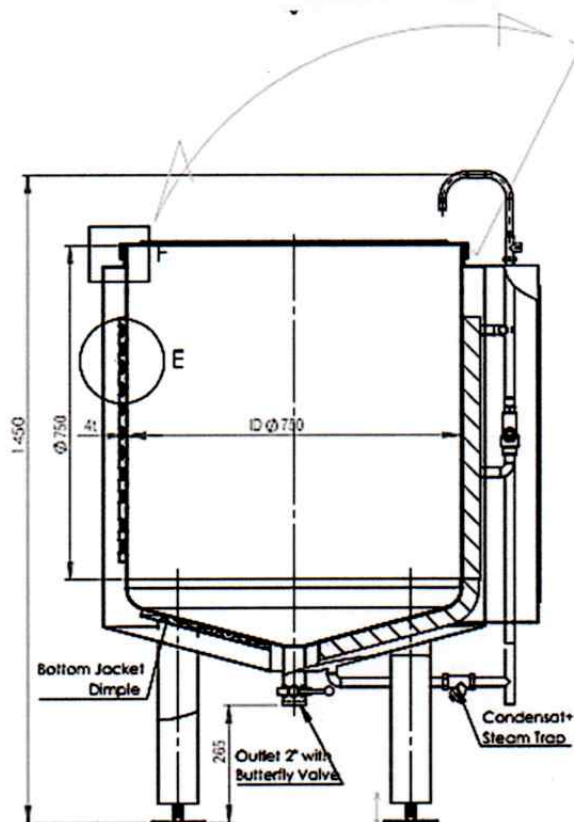
Spesifikasi		
Kapasitas	Ltr	300
Material	Stainles	SUS304
Shell	mm	ID Ø750 x 4t
Bottom Cones	mm	ID Ø750 x 4t
Shell Jacket Dimple	mm	2t
Bottom Jacket Dimple	mm	2t
Tutup	mm	2t
Shell Insulasi	mm	1,5t
Bottom Insulasi	mm	1,5t
Rockwool	Density	50
Nozzle & Aesoris		
Tutup	mm	ID Ø750 x 4t
Outlet	mm	Ø2"
Inlet Steam	mm	Ø ¾"
Outlet Steam (Condensate)	mm	Ø ¾"
Inlet Air Bersih	mm	Ø ¾"
Nozzle Safety Valve	mm	Ø ¾"
Pressure Gauge 3"	barg	Max. 10
Safety Valve	barg	set max 0.5-2
Pressure Reducing Valve	barh	Set max 0.5-2

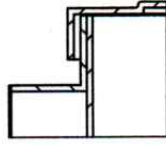
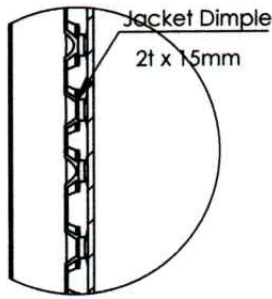


Detail Spesifikasi



Descriptions:
 PT : Kunci Penutup
 VI : Valve Inlet
 PG : Pressuregauge
 PRV: Pressure Reducing Valve
 SI : Steam Inlet
 C : Condensate
 WI : Water Inlet
 AT : Adjus Table



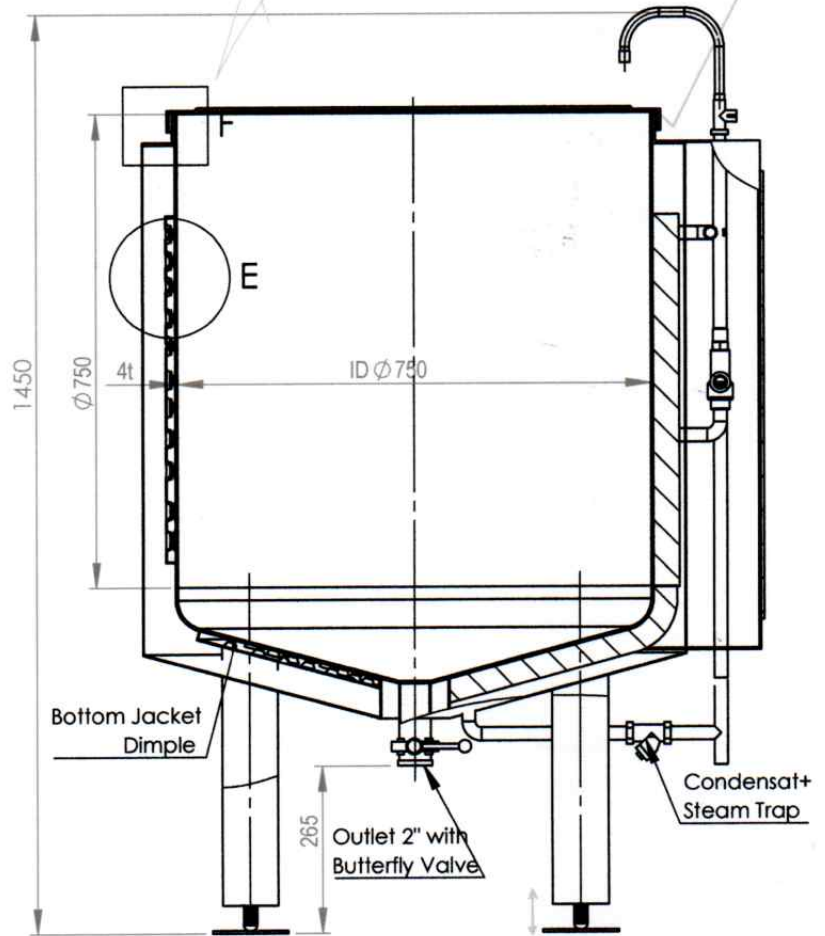
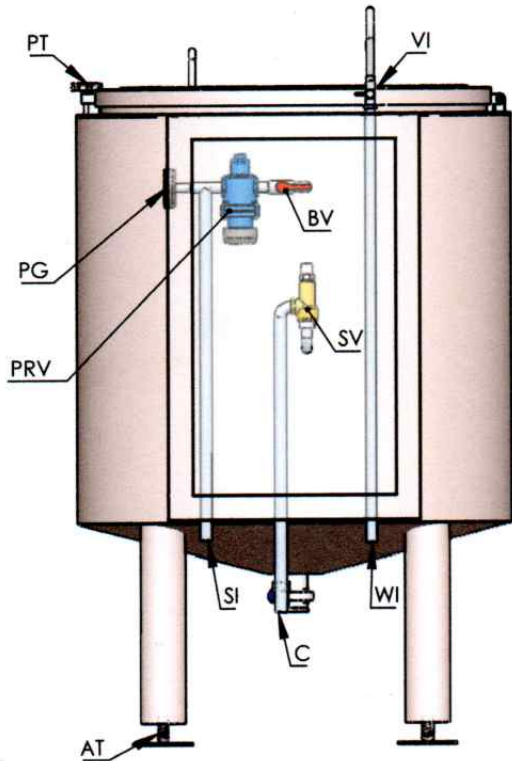
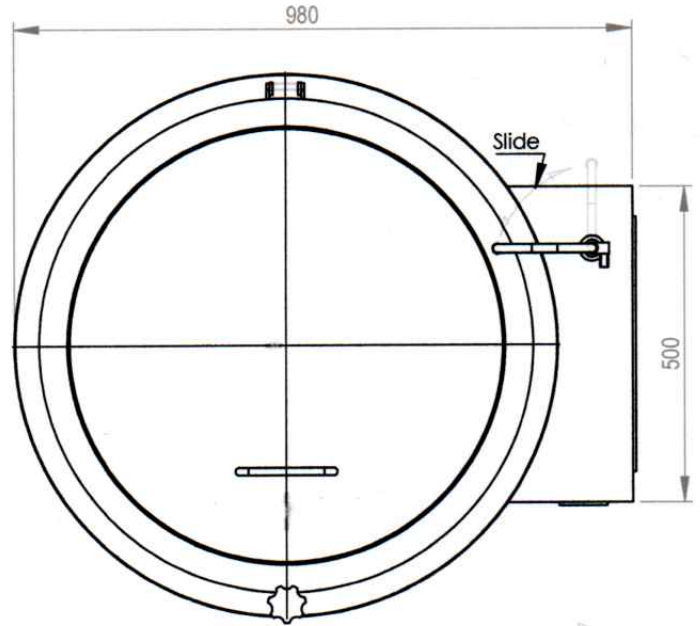


Top List

E : Detail Jacket

Descriptions:

- PT : Kunci Penutup
- VI : Valve Inlet
- PG : Pressuregauge
- PRV: Pressure Reducing Valve
- SI : Steam Inlet
- C : Condensate
- WI : Water Inlet
- AT : Adjus Table



NOTICE: THIS DRAWING IS THE PROPERTY OF PT. INDIRA DWI MITRA AND CONTAINS PT. INDIRA DWI MITRA PROPRIETARY TRADE SECRET INFORMATION. IT HAS BEEN SUBMITTED TO YOU IN CONFIDENCE FOR SPECIFIC PURPOSE. COPYING, USING OR DISCLOSING THIS DRAWING OR THE INFORMATION ON IT WITHOUT PT. INDIRA DWI MITRA'S PRIOR WRITTEN CONSENT IS PROHIBITED AND MAY BE GROUNDS FOR LEGAL ACTION.

TITLE:

Steam Boiling Pan 300ltr

REVISION :

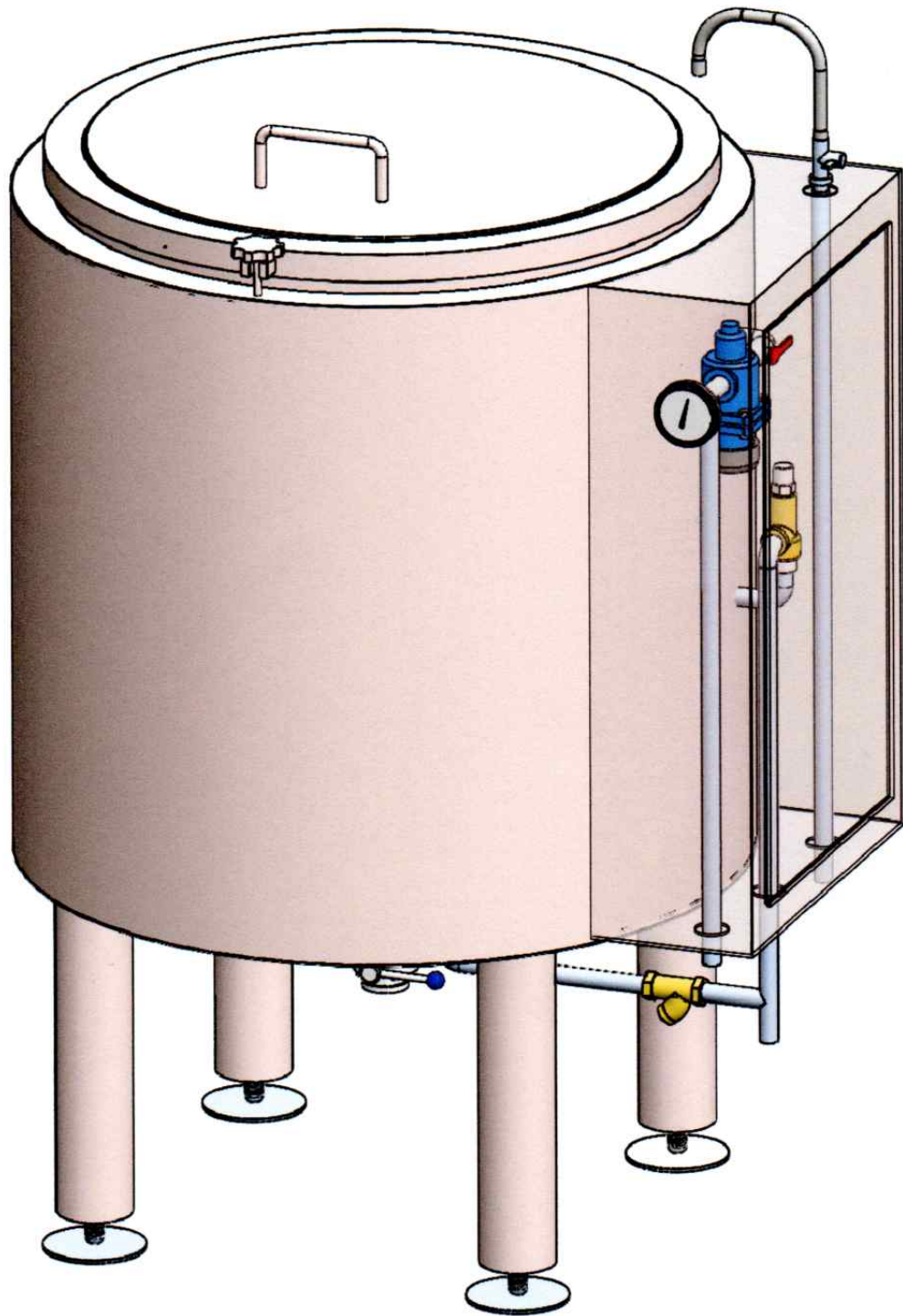
DEBUR AND
BREAK SHARP
EDGES

A4

	NAME	SIGNATURE	DATE
DRAWN	Atn-RL		
CHK'D			
APPV'D			
MFG			
Q.A			

MATERIAL:
WEIGHT:
DWG NO.
SCALE:1:20

SHEET 1 OF 1



NOTICE: THIS DRAWING IS THE PROPERTY OF PT. INDIRA DWI MITRA AND CONTAINS PT. INDIRA DWI MITRA PROPRIETARY TRADE SECRET INFORMATION. IT HAS BEEN SUBMITTED TO YOU IN CONFIDENCE FOR SPECIFIC PURPOSE. COPYING, USING OR DISCLOSING THIS DRAWING OR THE INFORMATION ON IT WITHOUT PT. INDIRA DWI MITRA'S PRIOR WRITTEN CONSENT IS PROHIBITED AND MAY BE GROUNDS FOR LEGAL ACTION.

TITLE:

Steam Boiling Pan 300ltr Isometrix View

REVISION :

DEBUR AND
BREAK SHARP
EDGES

	NAME	SIGNATURE	DATE
DRAWN	Atn-RL		
CHK'D			
APPV'D			
MFG			
G.A			

MATERIAL:

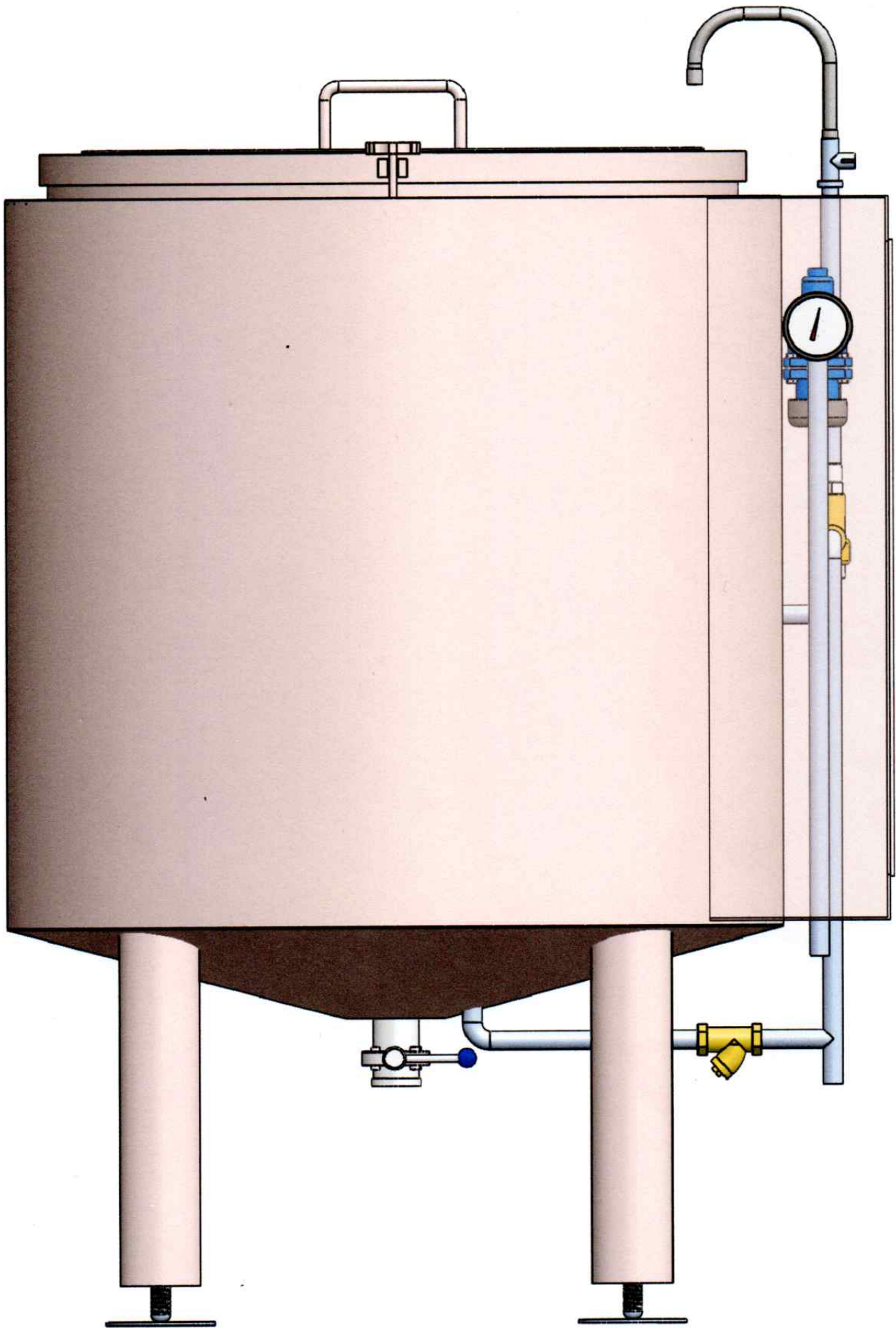
WEIGHT:

DWG NO.

SCALE: 1:20

A4

SHEET 1 OF 1



NOTICE: THIS DRAWING IS THE PROPERTY OF PT. INDIRA DWI MITRA AND CONTAINS PT. INDIRA DWI MITRA PROPRIETARY TRADE SECRET INFORMATION. IT HAS BEEN SUBMITTED TO YOU IN CONFIDENCE FOR SPECIFIC PURPOSE. COPYING, USING OR DISCLOSING THIS DRAWING OR THE INFORMATION ON IT WITHOUT PT. INDIRA DWI MITRA'S PRIOR WRITTEN CONSENT IS PROHIBITED AND MAY BE GROUNDS FOR LEGAL ACTION.

TITLE:

**Steam Boiling Pan 300ltr
Front View**

REVISION :

DEBUR AND
BREAK SHARP
EDGES

	NAME	SIGNATURE	DATE
DRAWN	Afr-RL		
CHK'D			
APPV'D			
MFG			
Q.A			

MATERIAL:

WEIGHT:

DWG NO.

SCALE:1:20

A4

SHEET 1 OF 1