

## 1. Description

The electrical panel protection module, **FirePro® FPC-4R(24VDC)V2** is a modified version of the FPC-4RV2 unit.

The electrical panel protection module, **FirePro® FPC-4R(24VDC)V2** is capable to detect and extinguish fire automatically in an electrical cabinet, with the use of the linear heat detector cable and the condensed aerosol fire extinguishing units.

Two input terminals LHD 1 & LHD 2 are available for connecting the linear heat detector cables. Two output terminals AG1 & AG2 are available for connecting the condensed aerosol fire extinguishing units.

The electrical panel protection module FPC-4R(24VDC) V2, uses a 24VDC power source to activate the two condensed aerosol fire extinguishing units.

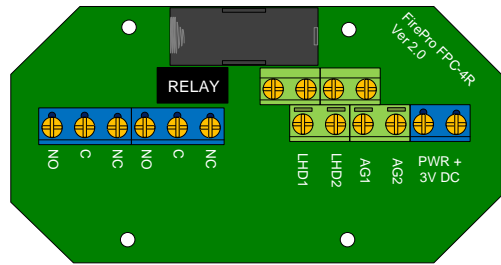


Figure 1

The FPC-4R(24VDC) V2 module is equipped with a volt-free relay for activating other devices such as the fire alarm panel or to be used as a switch for the power-off of devices such as cooling fans.

By using the FPC-4R(24VDC)V2 module, multiple system configuration can be achieved.

The relay of the first in sequence FPC-4R(24VDC) V2 can be linked with the next in sequence FPC-4R(24VDC)V2 module. As a result, each unit will activate the other.

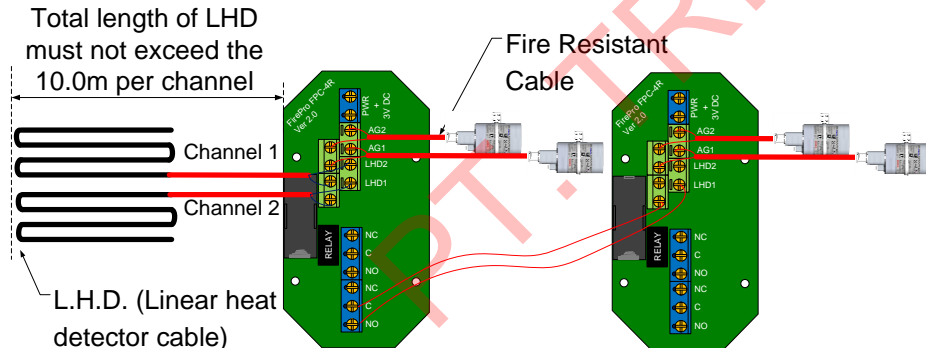


Figure 2

## 2.0 Installation guidelines:

The Linear heat detector cable must be installed on the inside of the top panel of the electrical panel.

The FPC-4R(24VDC) V2 module must be installed internally (if possible) in the electrical panel, on the inside of the side panel and at a distance from the top panel of around 10cm-20cm.

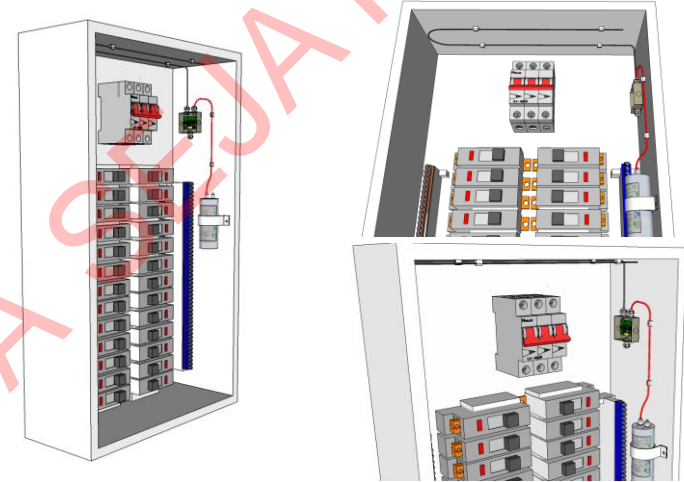
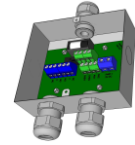



Figure 3

## 3.0 Specifications:

FPC-4R (24VDC) V2	Terminals		
		FPC-4RM(24VDC)V2 in metal box	FPC-4R(24VDC)V2 in plastic box
Dimensions		11.7cm X 11.7cm X 4.8cm	10.2cm X 7.0cm X 5.0cm
I/P terminal	LHD1	Linear Heat Detector cable <b>max 10m length</b>	
I/P terminal	LHD2	Linear Heat Detector cable <b>max 10m length</b>	
I/P terminal	PWR+3V DC	24Vdc External power source	
O/P terminal	AG1	Aerosol Generator	
O/P terminal	AG2	Aerosol Generator	
Double Pole Relay	COM1	Channel 1, COM	
	NO1	Channel 1,NO	
	NC1	Channel 1,NC	
	COM2	Channel 2,COM	
	NO2	Channel 2,NO	
	NC2	Channel 2,NC	
Oper. Volt.		24Vdc	