

## No more worries about obtaining the perfect groove!

### LIGHT GROOVE 150DX

25A - 400A (1" - 16")

Standard Model: 2" - 6"

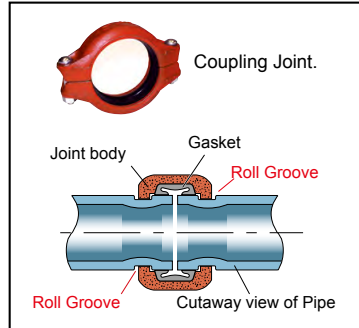
For on-site and shop grooving of 1"- 16" Schedule 10 and, 1"- 12" Schedule 40 steel pipe.

Utilises REX's latest technology to minimise cost and improve efficiency. Self-centring head minimises pipe flare and secures the pipe firmly in the machine. Automatic pump and indicator lamp ensure stable grooving. Designed for maximum productivity and lowest cost per groove.

#### Automatic Pump

#### RG 150A

#### Coupling Joint



Roller

Roll grooving is different to cut grooving. Roll grooving is a process by which the pipe is deformed under pressure, which maintains its strength. Numerous reports indicate that roll grooving prevented damage to pipelines during the 1995 Kobe Earthquake, Japan.



341109  
\* Pipe support optional.

Code No.	341080	341071, 341074 (CE)
Model	RG-150 (Hand Pump)	RG-150A (Auto Pump)
Pipe Capacity (in.)	1 - 16 Sch. 10 steel pipe 1 - 12 Sch. 40 steel pipe (Standard Model: 2 - 6 roller Sch. 10 - 40 : 341133)	
Motor	700 W Series motor	
Voltage (V)	220 (110 V available)	
Rotation Speed (rpm)	49 (Unloaded)	
Dimensions (mm)	D685 x W490 x H625	
Net Weight (kg)	75	85

Standard Accessories	Tool box, Spirit level, Spanner, T-wrench, Grease 341133: Roller Set 2"- 6" (Sch. 10 - 40), 341125 Spacer 1"- 6"
Optional Accessories	341112: Main Shaft For Roller 1"- 1½" (150DX) 341113: Roller Set 1"- 1½" (Sch. 10 - 40) 341111: Roller Set 8"- 12" (8": Sch. 10 - 40, 10"- 12": Sch. 10) 341137: Roller Set 10"- 12" (Sch. 40) 341136: Roller Set 14"- 16" (Sch. 10) For Thin-wall Stainless Steel Pipe (Schedule 5S - 10S) 341112: Main Shaft For Roller 1"- 1½" 341118: Roller Set SUS 30-50Su (1"- 1½": Sch. 5S-10S) 341119: Roller Set SUS 60-80Su (2"- 3": Sch. 5S-10S) 341120: Roller Set SUS 100-50Su (4"- 6": Sch. 5S-10S)

#### Self-centring Head

The head adjusts up to an amazing 8° to ensure a perfectly centred groove every time. The carrying handles also serve as guides to make setting pipes easier.

#### Indicator Lamp

The indicator lamp automatically lights up when grooving is complete so that even a novice can be sure of achieving the correct groove depth.

#### Automatic Pump

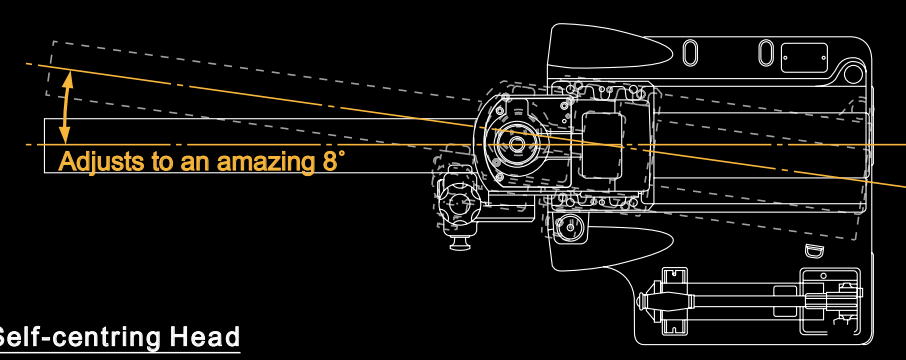
The electric powered pump was developed specifically for this machine to make accurate grooving easier.

#### Hand Pump

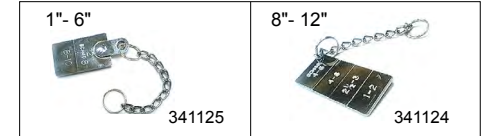
#### RG 150



341080



#### Spacer (Groove Depth Gauge)



#### Roller Set

Standard	Optional			
341133 Roller Set 2"- 6"	341112 341113 Roller Set 1"- 1½"	341111 Roller Set 8"- 12"	341137 Roller Set 10"- 12"	341136 Roller Set 14"- 16"

#### Accessories for Groovers

Code No.	Description	Light Groove	Portable Groover H	Portable Groover M
341111	Roller Set 8"-12" (8": Sch. 10 - 40, 10"-12": Sch. 10)	●	●	
341112	Main Shaft For Roller 1"-1½" (150DX)	●		
341141	Main Shaft For Roller 1"-1½" (RG-RH)		●	
341113	Roller Set 1"-1½" (Sch. 10 - 40)	●	●	
341133	Roller Set 2"- 6" (Sch. 10 - 40)	●*	●*	
341136	Roller Set 14"-16" (Sch. 10)	●		
341137	Roller Set 10"-12" (Sch. 40)	●	●	
341138	Roller Set 14"-16" (Sch.10)		●	
341118	Roller Set SUS 30 - 50Su (1" - 1½": Sch. 5S - 10S)	●	●	
341119	Roller Set SUS 60 - 80Su (2" - 3": Sch. 5S - 10S)	●	●	
341120	Roller Set SUS 100 - 150Su (4" - 6": Sch. 5S - 10S)	●	●	●
341551	Roller Set 1"			●
341552	Roller Set 1½"			●
341554	Mount Base R1 REX50A Machine			●
341555	Mount Base R2 REX80A Machine			●
341556	Mount Base E1 #300			●
341557	Mount Base E2 #300 Compact			●
341558	Roller Set 2" - 6"			●*
341559	Mount Base R3 REX N100A Machine			●
341560	Mount Kit M-HR1 REX 50A Machine		●	
341561	Mount Kit M-HR2 REX 80A Machine		●	
341562	Mount Kit M-HR3 REX N100A Machine		●	
341563	Mount Kit M-HE1 #300		●	
341124	Spacer 8" - 12"	●	●	
341125	Spacer 1" - 6"	●*	●*	●
341121	GV Gauge 1"	●	●	●
341122	GV Gauge 1¼"	●	●	●
341123	GV Gauge 1½"	●	●	●
341126	GV Gauge 2"	●	●	●
341127	GV Gauge 2½"	●	●	●
341128	GV Gauge 3"	●	●	●
341129	GV Gauge 4"	●	●	●
341130	GV Gauge 5"	●	●	●
341131	GV Gauge 6"	●	●	●
341132	Circumference GV Gauge	●	●	●
341206	GV Gauge 8"	●	●	●
341207	GV Gauge 10"	●	●	●
341208	GV Gauge 12"	●	●	●

\* Standard Equipment