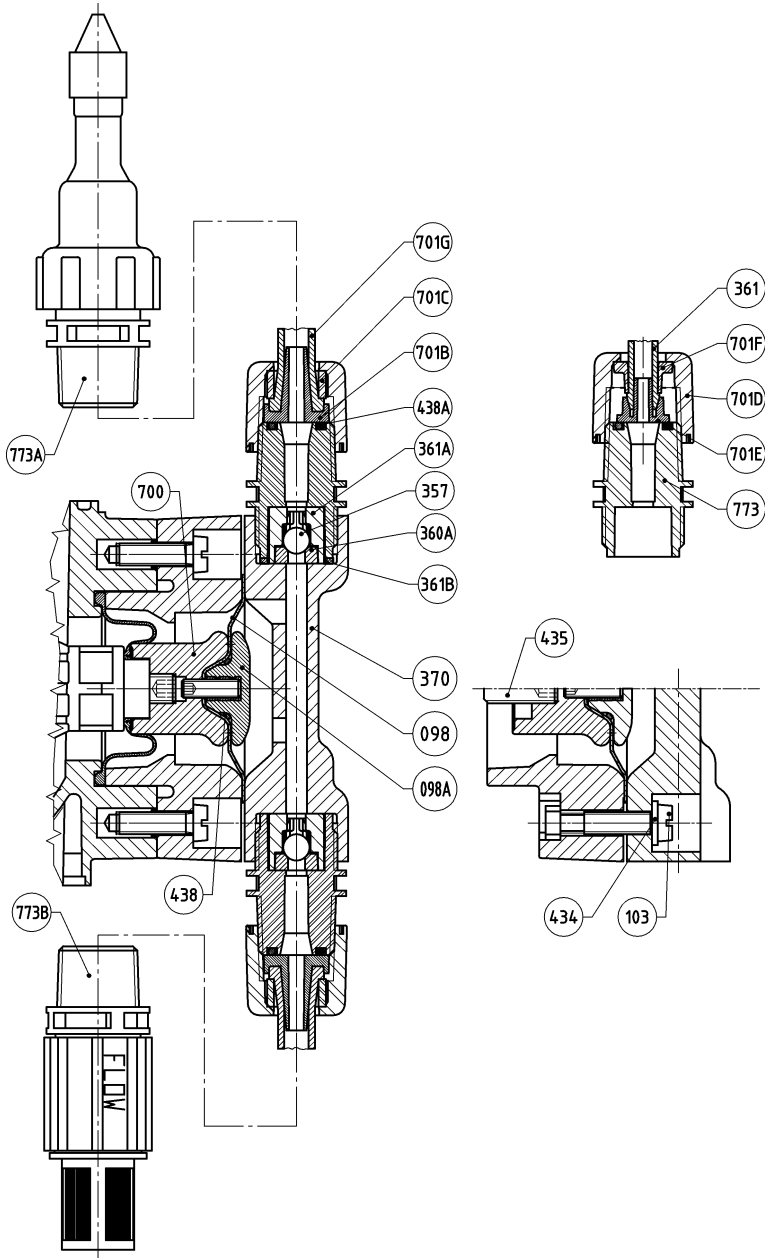


P4T



MAINTENANCE PREVENTIVE / PREVENTIVE MAINTENANCE

LOT	REP	QT	REF	DESIGNATION	/	/	DESIGNATION
A		1	3071240185F	LOT DE PIECES DE RECHANGE	/ P4T	/	SET OF SPARE PARTS
>A1		1	77118	ENS.MEMBRANE	/ GA 512	/	DIAPHRAGM ASSY
	435	1		VIS HC	/ M8x20 PL	/	SCREW HC
>>A2		1		MEMBRANE	/ N3/GA	/	DIAPHRAGM
	098	1		MEMBRANE	/	/	DIAPHRAGM
	098A	1		PLAQUE	/ AV. N3	/	PLATE
	438	1		JOINT TORIQUE	/ 14x1.8	/	ORING
	700	1		SIEGE	/	/	SEAT
>A3		1	77350	ENS.CARTOUCHE	/ 9.52	/	CARTRIDGE ASSY
	357	1		BILLE	/ D.9.52	/	BALL
	360A	1		SIEGE	/ 9.52	/	SEAT
	361A	1		CARTOUCHE	/ D9.52	/	CARTRIDGE
	361B	1		JOINT TORIQUE	/ 2.62x13.94	/	ORING
>A4		2	77352	ENS.CARTOUCHE	/ 7.14	/	CARTRIDGE ASSY
	357	1		BILLE	/ 7.14	/	BALL
	360A	1		SIEGE	/	/	SEAT
	361A	1		CARTOUCHE	/	/	CARTRIDGE
	361B	1		JOINT TORIQUE	/ 2.62x13.94	/	ORING
>A5		1	77357	LOT DE CANNE D INJECTION	/	/	INJECTION PIPE KIT
	.	1		BILLE	/ D.9.52	/	BALL
	.	1		JOINT TORIQUE	/ 2.62x13.94	/	ORING
	.	1		SIEGE	/	/	SEAT
	.	1		RESSORT	/	/	SPRING

MAINTENANCE CORRECTIVE / CORRECTIVE MAINTENANCE

LOT	REP	QT	REF	DESIGNATION	/	/	DESIGNATION
B		1	P4T	ENSEMBLE DOSEUR	/ P4T	/	LIQUID END ASSEMBLY
.		1	10322	LEST POUR CREPINE	/	/	STONE FOR SUCTION STRAINER
	361	1	36181-6M	TUYAU	/ PE230 6X8	/	PIPE
	701G	1	70121-6M	TUYAU	/ 6X12	/	PIPE
>B1		1	77249	CORPS DE DOSEUR	/ 4.0 P/M	/	LIQUID END BODY
	103	4		VIS	/ 10/24x.75	/	SCREW
	370	1		CORPS DE DOSEUR	/	/	LIQUID END BODY
	434	4		RONDELLE	/ D.6	/	WASHER MU
>>B2		1	77118	ENS.MEMBRANE	/ GA 512	/	DIAPHRAGM ASSY
	098	1		MEMBRANE	/	/	DIAPHRAGM
	098A	1		PLAQUE	/ AV. N3	/	PLATE
	435	1		VIS HC	/ M8x20 PL	/	SCREW HC
	435A	1		VIS HC	/ M5x16 TL	/	SCREW HC
	438	1		JOINT TORIQUE	/ 14x1.8	/	ORING
	700	1		SIEGE	/	/	SEAT
>B3		2	77352	ENS.CARTOUCHE	/ 7.14	/	CARTRIDGE ASSY
	357	2		BILLE	/ 7.14	/	BALL
	360A	2		JOINT DE CLAPET	/	/	VALVE SEAL
	361A	2		CARTOUCHE	/	/	CARTRIDGE
	361B	2		JOINT TORIQUE	/ 2.62x13.94	/	ORING
>B4	773A	1	77364	CANNE DINJECTION	/ 1/2"G M	/	INJECTION PIPE
>>B5		1	77357	LOT DE CANNE D INJECTION	/	/	INJECTION PIPE KIT
>>B6		1	77385	CORPS DE BOITE A CLAPET	/ 1/2"G M	/	CHECK VALVE BODY
	438A	1		JOINT TORIQUE	/ 10.77x2.62	/	ORING
	773	1		CORPS DE BOITE A CLAPET	/ 1/2 G	/	CHECK VALVE BODY
>B7	773B	1	77367	CREPINE	/ 9.52 - 1/2"G M	/	STRAINER
>>B8		1	77350	ENS.CARTOUCHE	/ 9.52	/	CARTRIDGE ASSY
	357	1		BILLE	/ D.9.52	/	BALL
	360A	1		SIEGE	/ 0.375	/	SEAT
	361A	1		CARTOUCHE	/ D9.52	/	CARTRIDGE
	361B	1		JOINT TORIQUE	/ 2.62x13.94	/	ORING
>>B9		1	77385	CORPS DE BOITE A CLAPET	/ 1/2"G M	/	CHECK VALVE BODY
	438A	1		JOINT TORIQUE	/ 10.77x2.62	/	ORING
	773	1		CORPS DE BOITE A CLAPET	/ 1/2 G	/	CHECK VALVE BODY
>B10		2	77385	CORPS DE BOITE A CLAPET	/ 1/2"G M	/	CHECK VALVE BODY
	438A	2		JOINT TORIQUE	/ 10.77x2.62	/	ORING
	773	2		CORPS DE BOITE A CLAPET	/ 1/2 G	/	CHECK VALVE BODY
>B11		4	77400	LOT DE RACCORDEMENTS	/ 6X8-6X12	/	CONNECTION KIT
	701B	4		CANULE	/ 6x12	/	CONNECTION
	701C	4		OLIVE ARRIERE	/ 6x12	/	REAR OLIVE FITTING
	701D	4		ECROU	/ 1/2 G	/	NUT
	701E	4		CANULE	/ 6x8	/	CONNECTION
	701F	4		OLIVE ARRIERE	/ 6x8	/	REAR OLIVE FITTING

