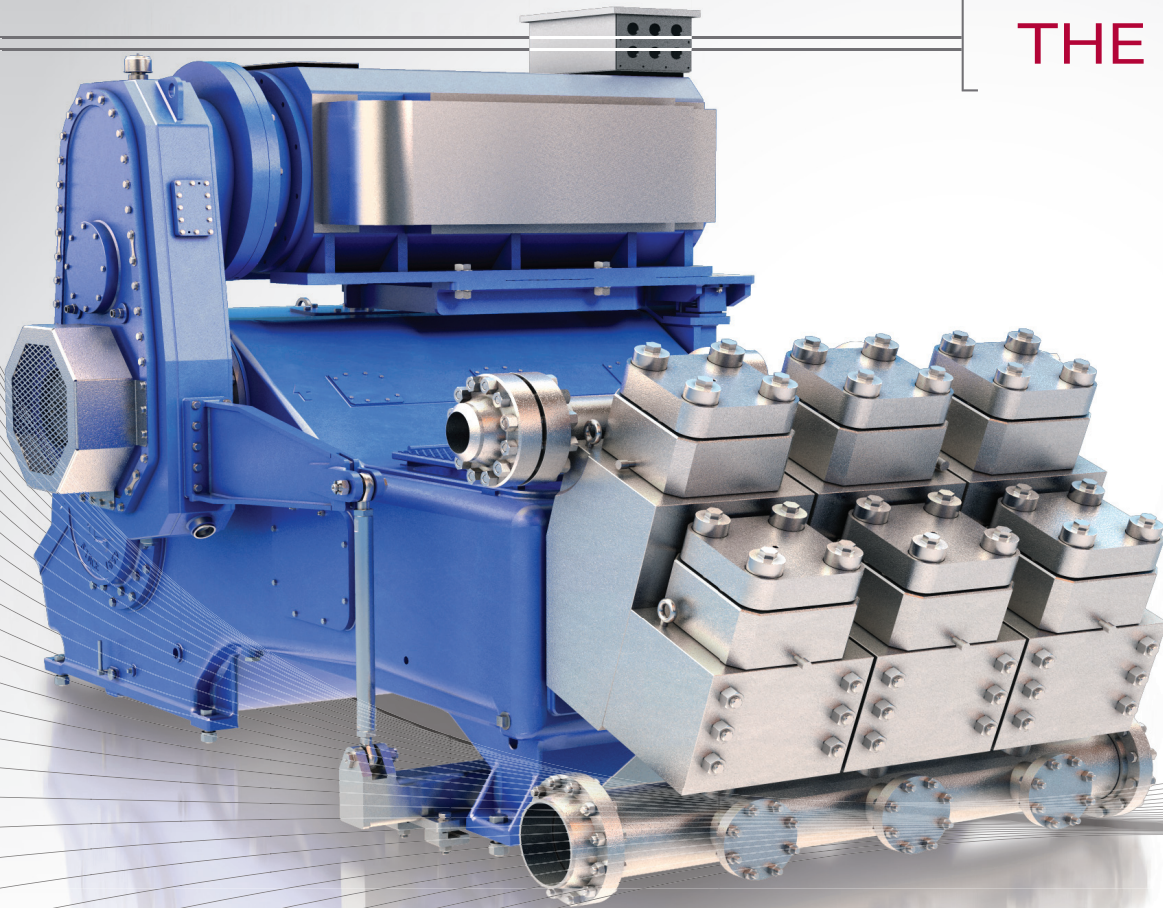


THE PZ 2400 Drilling Pump



Amerimex Closed Loop Water Cooled Motor Configuration shown.

SPECIFICATIONS

Maximum Input	2,400 BHP (1,790 kW)
Maximum RPM	110 RPM
Stroke Length	14 in. (356 mm)
Piston Load	185,000 lbs. (822,921 N)
Pump Weight	63,500 lbs. (28,803 kg) with skid and hydraulic tensioning system
Gear Ratio	4.033:1

PISTON CYLINDER		DISPLACEMENT – DRILLING SERVICE				MAXIMUM PSI		PUMP RPM	JACKSHAFT RPM
DIAMETER		PER REVOLUTION		MAXIMUM FLOW RATE		PSI	bar		
inch	mm	gallon	liters	GPM	LPM	PSI	bar		
9*	229	11.57	43.78	1,272	4,816	2,908	201	110	444
8.5	216	10.32	39.06	1,135	4,296	3,260	225		
8	203	9.14	34.60	1,005	3,806	3,680	254		
7.5	191	8.03	30.41	884	3,345	4,188	289		
7	178	7.00	26.49	770	2,914	4,807	331		
6.5	165	6.03	22.84	664	2,512	5,575	384		
6	152	5.14	19.46	565	2,141	6,543	451		
5.5	140	4.32	16.35	475	1,799	7,500	517		
5	127	3.57	13.51	393	1,487	7,500	517		

Ratings are based on 90% mechanical efficiency and 100% volumetric efficiency.

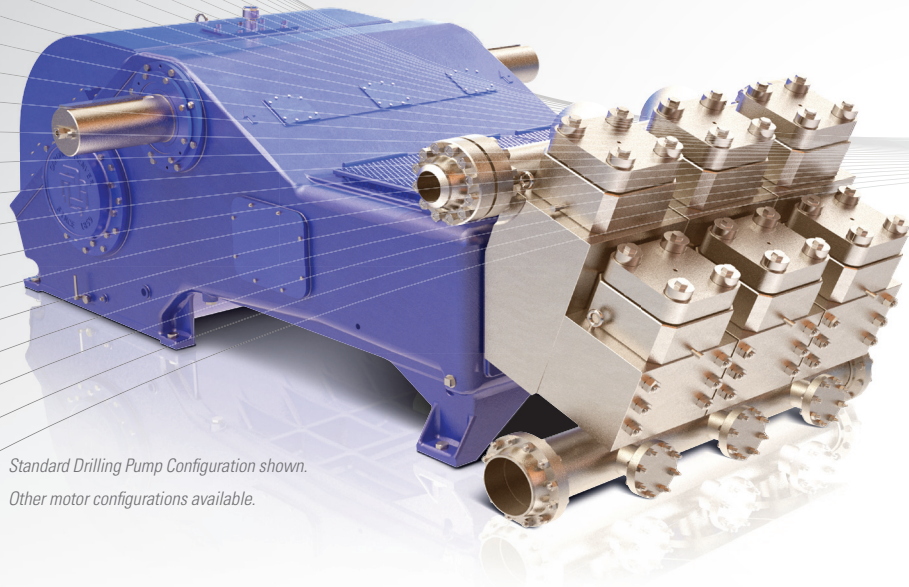
*Contact Gardner Denver Engineering for application review and approval.

**Gardner
Denver**
Pumping Perfected.™

THE PZ 2400 Drilling Pump

OPTIONAL FEATURES

- Steel transportation and placement skid for pump only
- Larger maintenance skid with non-slip decking
- Centrifugal suction charging pump
- Oil pump assembly for power end lubrication
- Suction stabilizer
- Discharge dampener
- Quick change retention and rod systems by P-Quip
- Clear Lexan covers on hood inspection ports
- Custom packaging available



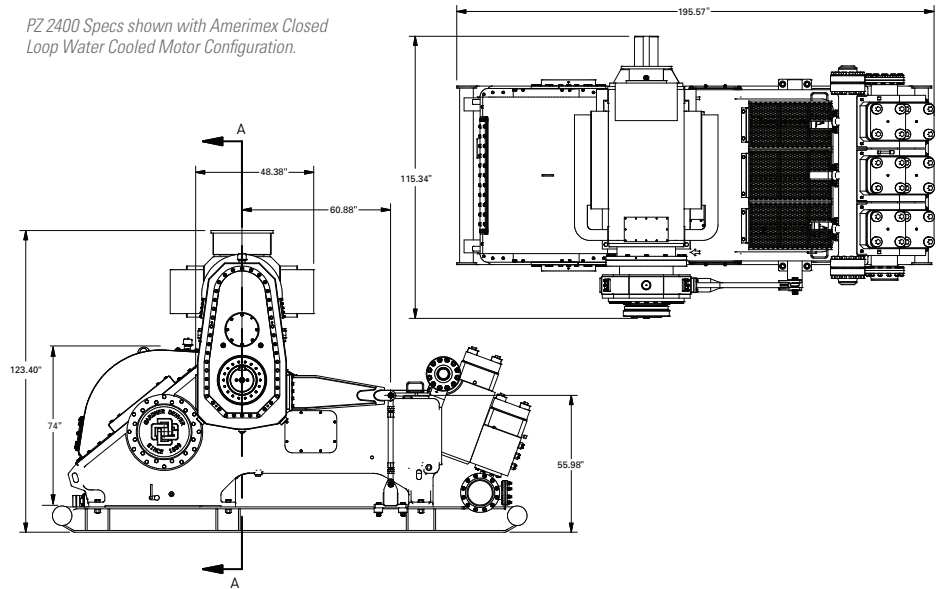
Standard Drilling Pump Configuration shown.
Other motor configurations available.

STANDARD FEATURES

- Patent pending, severe duty, Y-type fluid modules
- High-strength cast power frame, eccentric connecting rods and crossheads
- Full roller bearing construction
- Heat-treated alloy steel, double-helical AGMA drive gears
- Double extended jackshaft for mounting sheaves or sprockets
- Replaceable bronze crosshead slides
- Fabricated, log-style suction manifold
- Hydrostatic-tested cast steel discharge manifold
- API suction and discharge connections
- Full open valve seats

SPECIFICATIONS

PZ 2400 Specs shown with Amerimex Closed Loop Water Cooled Motor Configuration.



CONNECT WITH US: