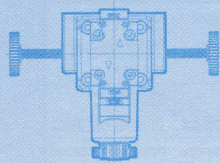




BSG-03-06-10 Solenoid Controlled Relief Valves(Sub-Plate Type)

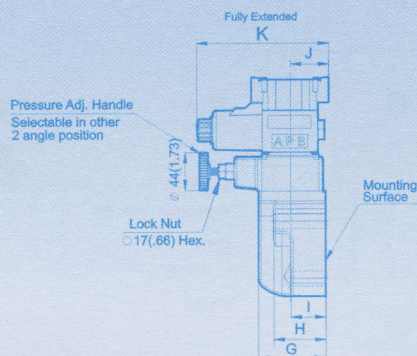
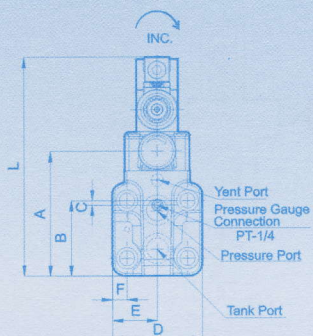


Valve Specifications & Attachment

Model	BSG-03	BSG-06	BSG-10
Flow Rating	100 lpm (26.4 gpm)	200 lpm (52.8 gpm)	400 lpm (106 gpm)
Max. Pressure	250 bar (3600 psi)	250 bar (3600 psi)	250 bar (3600 psi)
Weight kg(lbs.)	7.1 (15.6)	8.0 (17.6)	11.3 (24.9)
CODE:20	M12 X70 _g X2pcs M12 X95 _g X2pcs	M16 X90 _g X2pcs M16 X95 _g X2pcs	M20X70 _g X2pcs M20X90 _g X2pcs
CODE:2090	1/2-18UNCX2-3/4 _g X2pcs 1/2-18UNCX2-3/4 _g X2pcs	5/8-11UNCX2-1/4 _g X2pcs 1/2-18UNCX2-1/4 _g X2pcs	3/4-10UNCX2-3/4 _g X2pcs 3/4-10UNCX2-1/2 _g X2pcs
Surface O-Ring	P9X1pc, P20X2pc	P10AX1pc, P29X2pc	P10AX1pc, P36X2pc
ISO Mounting	6264-AR-06-2-A	6264-AS-08-2-A	6264-AT-10-2-A



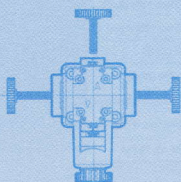
SYMBOL



Dimensions for models with Din connector, reference page 14 for details.

Model	A	B	C	D	E	F	G	H	I	J	K	L
BSG-03	117(4.60)	75.5(2.97)	21.5(.84)	83(3.26)	41.5(1.63)	14.5(.57)	78(3.07)	77.5(3.05)	58.5(2.30)	45(1.77)	153(6.02)	226(8.89)
BSG-06	145(5.70)	87.5(3.44)	5.5(.21)	104(4.09)	52(2.04)	17(.66)	78(3.07)	60(2.36)	40(1.57)	45(1.77)	153(6.02)	255(10.0)
BSG-10	175(6.88)	106(4.17)	8(.31)	125(4.92)	62.5(2.46)	21.2(.83)	90(3.54)	69.5(2.73)	49.5(1.94)	50(1.96)	153(6.02)	285(11.2)

BST-03-06-10 Solenoid Controlled Relief Valves(Threaded Type)

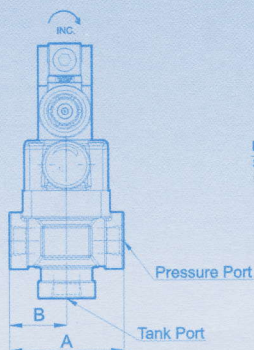


Valve Specifications & Attachment

Model	BST-03	BST-06	BST-10
Flow Rating	100 lpm (26.4 gpm)	200 lpm (52.8 gpm)	400 lpm (106 gpm)
Max. Pressure	250 bar (3600 psi)	250 bar (3600 psi)	250 bar (3600 psi)
Weight kg(lbs.)	7.4 (16.3)	7.4 (16.3)	11.1 (24.5)
CODE:20	3/8 PT	3/4 PT	1 1/4 PT
CODE:2090	3/8 NPT	3/4 NPT	1 1/4 NPT

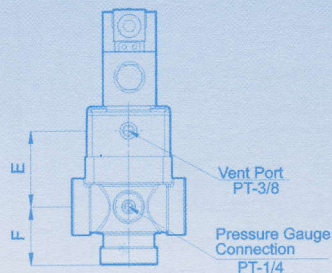
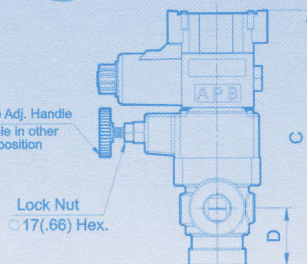


SYMBOL



Pressure Adj. Handle
Selectable in other
3 angle position

Lock Nut
17(.66) Hex.

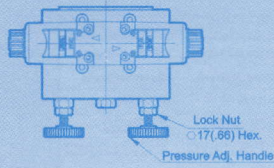


Dimensions for models with Din connector, reference page 14 for details.

Model	A	B	C	D	E	F
BST-03	102(4.01)	51(2.00)	230(9.05)	52(2.04)	68(2.67)	52(2.04)
BST-06	120(4.72)	51(2.00)	230(9.05)	52(2.04)	68(2.67)	52(2.04)
BST-10	140(5.51)	70(2.75)	284(11.1)	84(3.30)	86(3.38)	82(3.22)

BSG-03-06-10-2P

Solenoid Controlled Relief Valves-Dual Pressure (Sub-Plate Type)

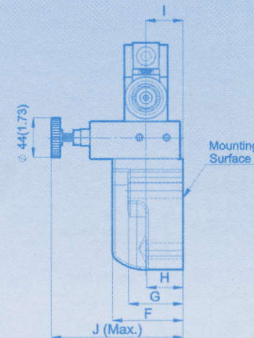
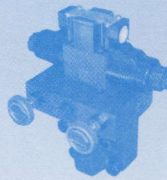
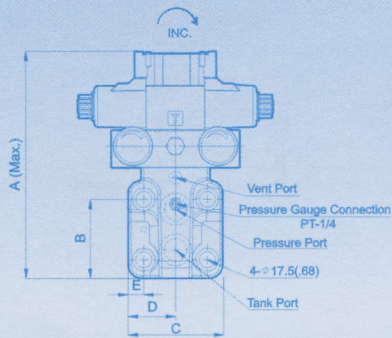


Valve Specifications & Attachment

Model	BSG-03	BSG-06	BSG-10
Flow Rating	100 lpm (26.4 gpm)	200 lpm (52.8 gpm)	400 lpm (106 gpm)
Max. Pressure	250 bar (3600 psi)	250 bar (3600 psi)	250 bar (3600 psi)
Weight kg(lbs.)	7.1 (15.6)	8.0 (17.6)	11.3 (24.9)
CODE:20	M12 X70LgX2pcs M12 X98LgX2pcs	M16 X80LgX2pcs M16 X80LgX2pcs	M20X70LgX2pcs M20X90LgX2pcs
CODE:2090	1/2-13UNCX2-3/4LgX2pcs 1/2-13UNCX3-3/4LgX2pcs	5/8-11UNCX2-1/4LgX2pcs 1/2-13UNCX3-1/4LgX2pcs	3/4-10UNCX2-3/4LgX2pcs 3/4-10UNCX3-1/2LgX2pcs
Surface O-Ring	P9X1pc, P20X2pc	P10AX1pc, P29X2pc	P10AX1pc, P36X2pc
ISO Mounting	6264-AR-06-2-A	6264-AS-08-2-A	6264-AT-10-2-A



SYMBOL

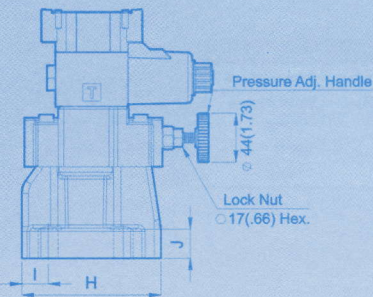


■ Dimensions for models with Din connector, reference page 14 for details.

Model	A	B	C	D	E	F	G	H	I	J
BSG-03-2P	224(8.81)	75.5(2.97)	83(3.26)	41.5(1.63)	14.5(.57)	70(2.75)	77.5(3.05)	40(1.57)	41(1.61)	146(5.74)
BSG-06-2P	251.5(9.90)	87.5(3.44)	104(4.09)	52(2.04)	17(.66)	78(3.07)	60(2.36)	40(1.57)	41(1.61)	146(5.74)
BSG-10-2P	289.5(11.3)	106(4.17)	125(4.92)	62.5(2.46)	21.2(.83)	83(3.26)	69.5(2.73)	49.5(1.94)	46(1.81)	280(11.0)

SBSG-03-06-10

Low Noise Type Solenoid Controlled Relief Valves(Sub-Plate Type)

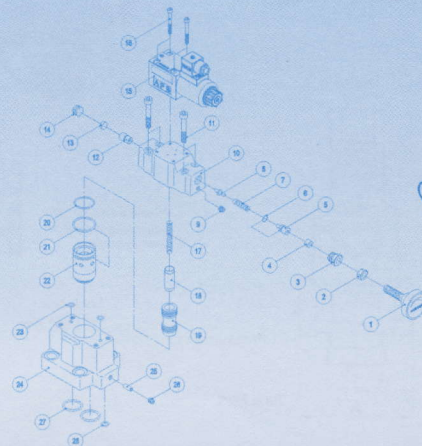
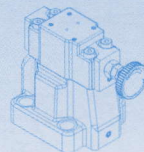
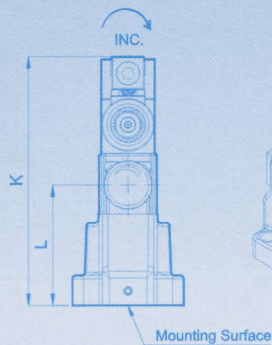
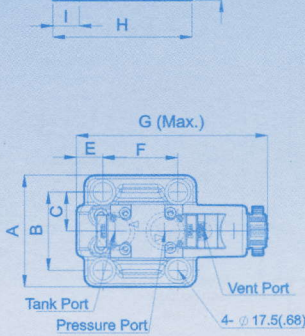


Valve Specifications & Attachment

Model	SBSG-03	SBSG-06	SBSG-10
Flow Rating	100 lpm (26.4 gpm)	200 lpm (52.8 gpm)	400 lpm (106 gpm)
Max. Pressure	250 bar (3600 psi)	250 bar (3600 psi)	250 bar (3600 psi)
Weight kg(lbs.)	6.3 (13.9)	7.2 (15.9)	12.7 (28.0)
CODE:20	M12 X40LgX4pcs	M16 X56LgX4pcs	M20 X60LgX4pcs
CODE:2090	1/2-13UNCX1/3-1/4LgX4pcs	5/8-11UNCX2LgX4pcs	3/4-10UNCX2-1/4LgX4pcs
Surface O-Ring	P9X1pc, P20X2pc	P10AX1pc, P26X2pc	P10AX1pc, P36X2pc
ISO Mounting	6264-AR-06-2-A	6264-AS-08-2-A	6264-AT-10-2-A



SYMBOL



■ Dimensions for models with Din connector, reference page 14 for details.

Model	A	B	C	D	E	F	G	H	I	J	K
S-BSG-03	78(3.07)	54(2.12)	27(1.06)	12(.47)	34.5(1.35)	54(2.12)	169(6.65)	107(4.21)	26.5(1.04)	23(.90)	222(8.74)
S-BSG-06	100(3.93)	70(2.75)	35(1.37)	15(.59)	23.5(.92)	67(2.63)	171(6.73)	124(4.88)	23.5(.92)	26(1.02)	224(8.81)
S-BSG-10	127(5.00)	82.6(3.25)	41(1.61)	22.2(.87)	20.5(.80)	89(3.50)	190(7.48)	155(6.10)	20.5(.80)	36(1.41)	273(10.7)