



AMICO ROTARY-WING WATER METER HORIZONTAL WOLTMAN TYPE WATER METER

TYPE LXSG 50E



ISO 9001



ISO 94001

TYPE LXLC 80 - 300 G2 Dry Dial Water Meter

Special Features :

- Digital-Wheel counter mechanism for direct reading
- Large range for measuring, good accuracy in flowrate
- High continuous flow capacity, lower head loss
- Steady curve characteristics
- Performance of type LXLC water meter is up to standard ISO 4064 B

Meter Design :

- Solid and robust design, long service guaranteed
- Selected high quality materials guarantee
- Universal interchangeable measuring insert
- Outer calibration device



Metrological Data :

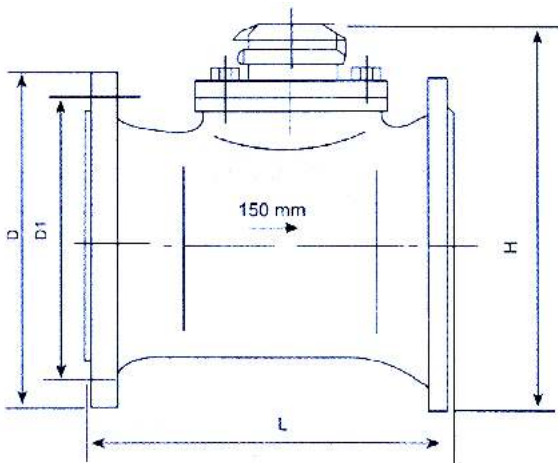
Meter Size DN mm	Measuring Class	Nominal Flowrate Qn m ³ /h	Minimum Flowrate Qmin	Transitional flowrate Qt	Min. reading	Max. reading		
			m ³ /h			m ³		
50	A	30	1,2	4,5	0.01	999999.99		
	B		0,45	3				
80	A	40	3.2	12				
	B		1.2	8				
100	A	60	4.8	18				
	B		1.8	12				
150	A	150	12	45			0.1	999999.99
	B		4.5	30				
200	A	250	20	75				
	B		7.5	50				
250	A	400	120	32				
	B		80	12				
300	A	600	180	48	0,1	999999		
	B		120	18				
400	A	1000	300	80				
	B		200	30				

Working Condition :

Water Temperature : For Cold Water ≤ 30° C
Water Pressure : ≤ 1 MPa

STANDARD ISO 4064

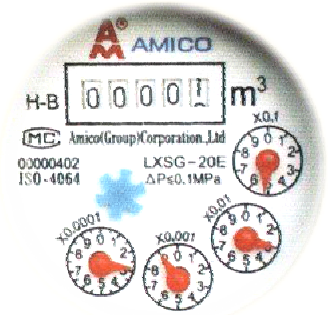
Dimensions and Weights :



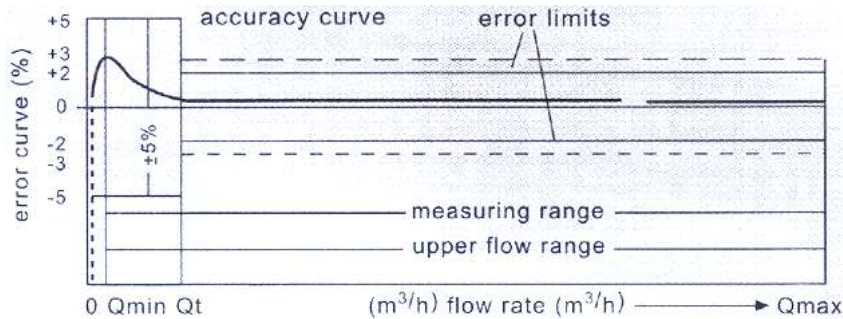
DN mm	Length (L) mm	Height (H) mm	connecting flange			Weight kg
			outer dia, D	bolt circle dia, D 1	Conneting bolt x pcs	
50	230	190	165	125	M16 x4	12.8
80	225	269	200	160	M16 X8	15.4
100	250	279	220	180	M16 x 8	17.6
150	300	309	285	240	M20 X 8	28
200	350	375	340	295	M20 x 8	38.5

Features curve diagram :

Reading error : The Max. reading error between Q_{max} (max. flowrate) and Q_t (Transitional flowrate) for cold water meter is $\pm 2\%$ The Max. reading error between Q_e (Transitional flowrate) and Q_{min} (minimum flowrate) not including Q_t . is $\pm 5\%$



Flow Error Curve :



Pressure Loss Curve :

