



DWM-A

Turbine Water Meter



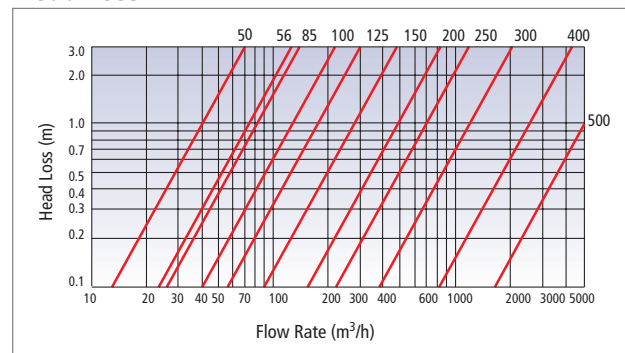
Applications

Woltman type water meter, used to measure the volume of cold potable water passing through the pipeline. For industrial/municipal use.

Features

- Meter will be installed in vertical, horizontal or inclined position
- Hermetically sealed register (magnetic coupling)
- Low Head Loss
- Maximum working pressure 16 bar
- Easy maintenance of the measuring unit
- Dial Plate can be supplied in m³, or US gallons. Totalizer has big and clear numerals
- Maximum working tempt. 60°C

Head Loss



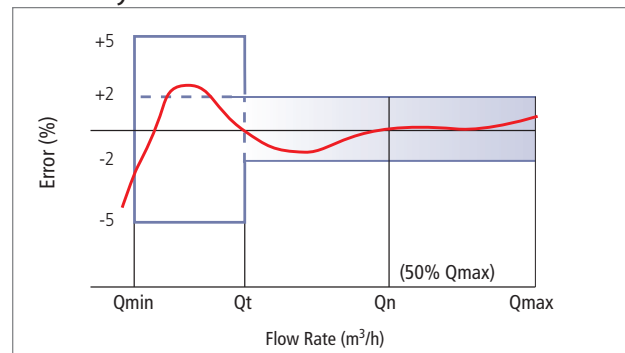
Options

- Equiped with option for electrical output
- Hot water meters in size 2" to 8"

Installation Requirements

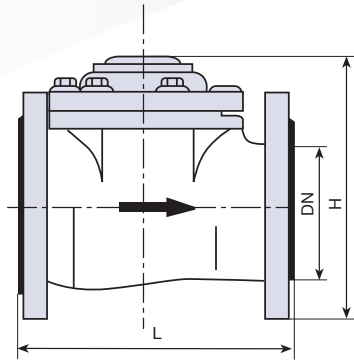
- Prior flushing of line before water meter installation
- Meter shall be full of water at flow measuring
- Install meter in the line with straight pipe 5xDN length at up stream and 3xDN at down stream

Accuracy Curve



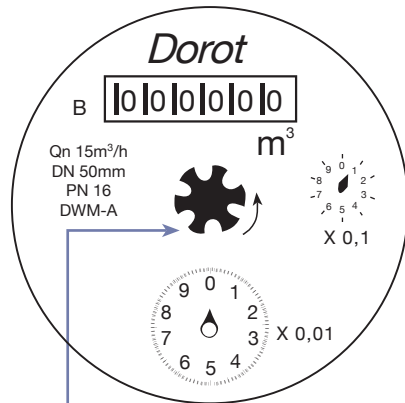
DWM-A

Turbine Water Meter



Dimensions

Size DN	inch	2"	2 1/2"	3"	4"	5"	6"	8"	10"	12"	16"	20"
	mm	50	65	80	100	125	150	200	250	300	400	500
L-Length	mm	310 200	310 200	225	250	250	300	350	450	500	600	800
H-Height	mm	256	256	276	286	286	345	373	493	516	631	739
Weight	kg	12	13	16	18	20	42	64	94	114	199	340



Flow Sensor

A small rotating "star" in the center of the dial plate helps to detect even the smallest flow through the meter.

Performance data

Size DN	inch	2"	2 1/2"	3"	4"	5"	6"	8"	10"	12"	16"	20"
	mm	50	65	80	100	125	150	200	250	300	400	500
Nominal Flow Rate Qn (m³/h) (±2%)		15	25	40	60	100	150	250	400	600	1000	1500
Max. Flow Rate Qmax (m³/h) (±2%)		30	50	80	120	250	300	500	800	1200	2000	3000
Transition Flow Rate Qt (m³/h) (±2%)		3	5	8	12	20	30	50	80	120	200	300
Min. Flow Rate Qmin (m³/h) (±5%)		0.45	0.7	1.2	1.8	3	4.5	7.5	12	18	30	45
Max. Register Capacity (m³)		999999	999999	999999	999999	999999	999999	999999	999999	999999	999999	999999
Min. Reading Unit (m³)		0.01	0.01	0.01	0.01	0.01	0.1	0.1	1	1	1	1

How to Order

Model	Optional	Diameter	Flange Standard	*Outputs
DWM	AF - Standard (with preparation for Electrical Output) AE - With Electrical Output AH - Hot Water AQ - Hot Water with Electrical Output	2" - 20" 50mm - 500mm	ISO PN16 ANSI 125 BSTD JIS 10 ABNT PN16	V - Volume (Electrical) F - Flow (Optical)

* V - for Volume electrical out put (reed switch)

* F - for Flow rate out put (optical)

