

TRAFIMET® PLASMA PARTS

PART NUMBERS	DESCRIPTION	MIN QTY
TRAFIMET® PLASMA TORCHES		
PA1604	S75 TORCH 6M CEN. ADAPTOR WITHOUT HAFNIUM (1)	1
PA1402	A81 TORCH 6M CEN. ADAPTOR HAFNIUM	1
PA1404	A81 TORCH 6M ¼ GAS HAFNIUM (2)	1
PA1500	A141 TORCH 6M M14 x 1 HAFNIUM	1
PA1502	A141 TORCH 6M ¼ GAS HAFNIUM (3)	1



1



2



3

TRAFIMET® S45 & S54 TORCHES

CV26	GUIDE (S54) (1)	2
CV28	GUIDE SPRING (S54) (2)	10
CV33	CROWN SHIELD (S54) (3)	1
CV51	CUTTING GUIDE (S54) (4)	2
CV52	CIRCLE CUTTING GUIDE (S54) (5)	1
PC115	NOZZLE (S54) (6)	2
PD102-10	TIP 1.0 MM (S45/S54) (7)	10
PE106	AIR DIFFUSER (S45/S54) (8)	2
PR105	ELECTRODE (S45/S54) (9)	10
PR106	ELECTRODE LONG (S45/S54) (10)	10
CV10	GUIDE SPRING (S45) (11)	1
CV24	CUTTING GUIDE (S45) (12)	1
PC116	NOZZLE (S45) (13)	4
PD116-08	TIP 20-30 AMP (14)	1
PR110	ELECTRODE (S45) (15)	10
PD103	LONG TIP (S45)	1



1



2



3



4



5



6



7



8



9



10



11



12



13



14



15



INDEPENDENT WHOLESALE WELDING SUPPLY

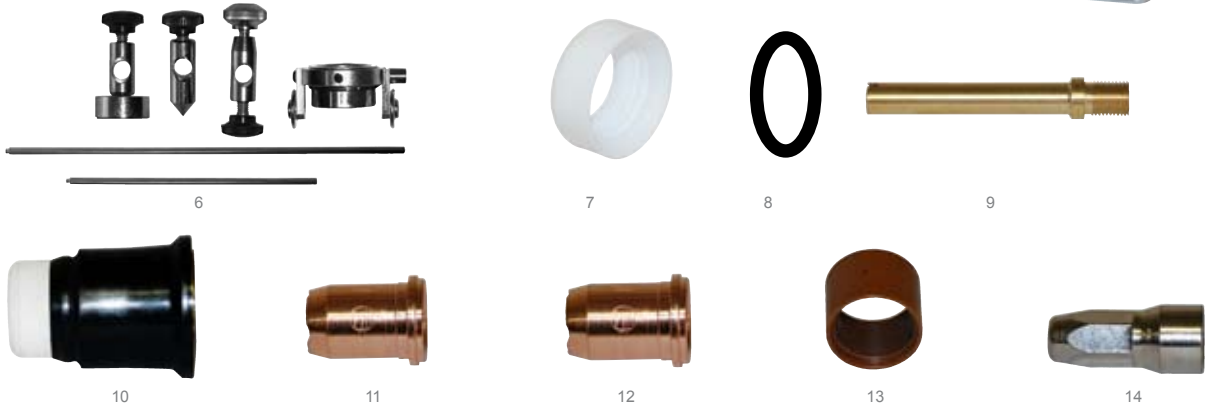
Ph - 02 9838 9866 F - 02 9838 9917 E - iwws@iwws.net Web - www.iwws.net

TRAFIMET® PLASMA PARTS

PART NUMBERS	DESCRIPTION	MIN QTY
--------------	-------------	---------

TRAFIMET® S74 & S75 TORCHES

PF135	TORCH BODY (S75) (1)	1
PT180	TORCH BODY KIT	1
CV26	GUIDE (S74/S75) (2)	2
CV28	GUIDE SPRING (S74/S75) (3)	1
CV33	CROWN SHIELD (S74/S75) (4)	1
CV51	CUTTING GUIDE (S74/S75) (5)	1
CV52	CIRCLE CUTTING GUIDE (S74) (6)	1
CV76	NOZZLE CAP (S74) (7)	10
EA223	O'RING (S74/S75) (8)	1
FH647	DIP TUBE (S74/S75) (9)	1
PC114	NOZZLE (S74/S75) (10)	2
PD114-10	TIP 1.0 MM (S74/S75) (11)	10
PD114-12	TIP 1.2 MM (S74/S75) (12)	10
PE112	SWIRL RING (S74/S75) (13)	1
PR117	ELECTRODE (S74/S75) (14)	10
PD118	LONG TIP (S74/S75)	2



TRAFIMET® A80 TORCH

EA125	O'RING (1)	1
PR109	ELECTRODE (2)	10
PE107	AIR DIFFUSER	2
PD105-10	TIP 1.0 MM (3)	10
PD105-12	TIP 1.2 MM (4)	10
PC115	NOZZLE (5)	2
CV26	GUIDE (6)	2
CV28	GUIDE SPRING (7)	1
CV33	CROWN SHIELD (8)	1
CV51	CUTTING GUIDE (9)	1
CV52	CIRCLE CUTTING GUIDE	1
PD106-12	LONG TIP (10)	10

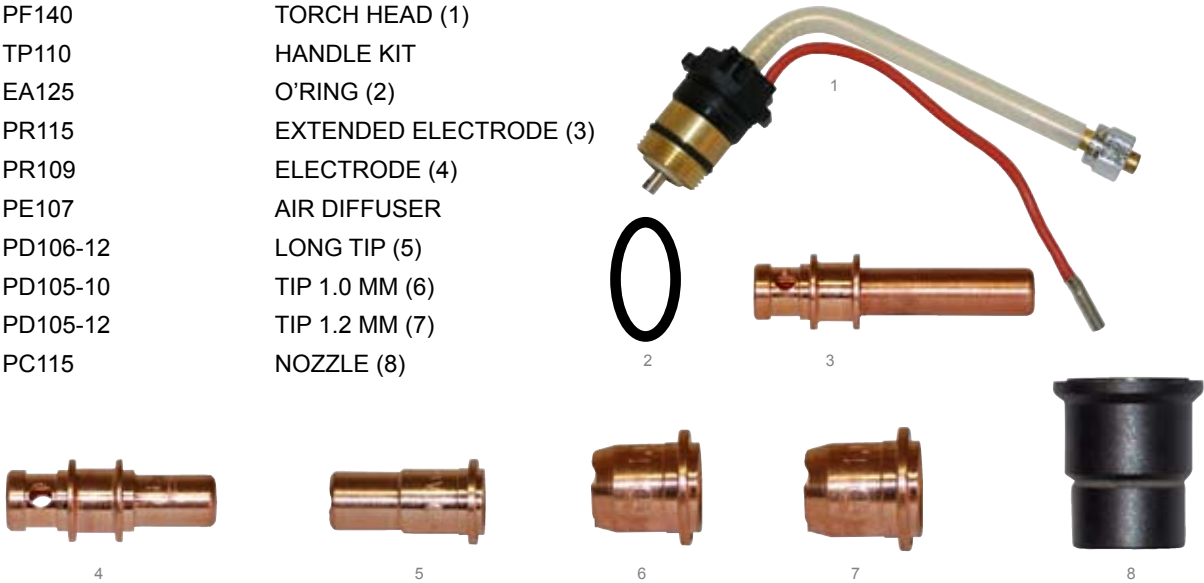


INDEPENDENT WHOLESALE WELDING SUPPLY

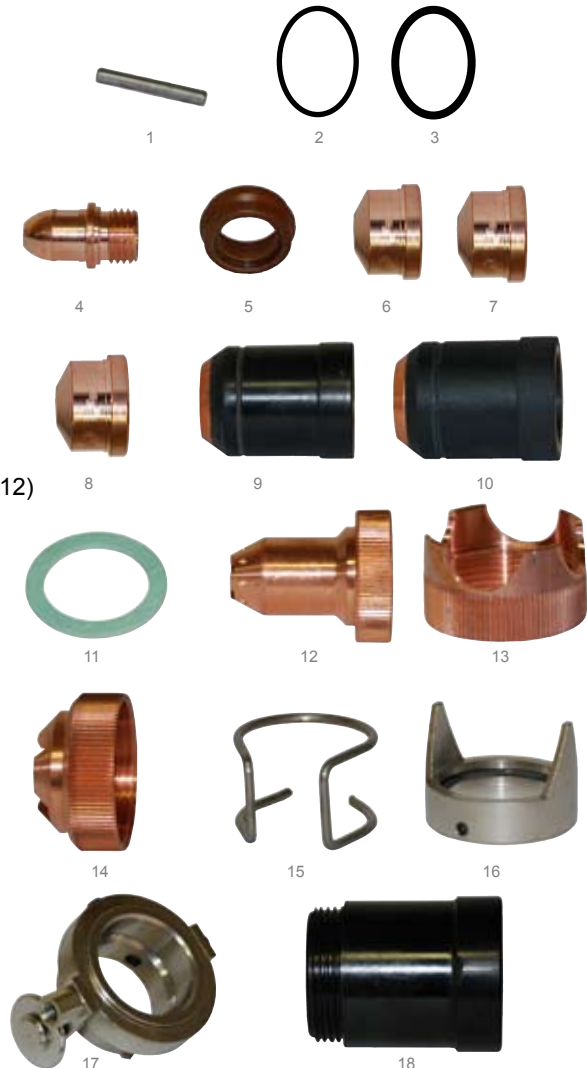
Ph - 02 9838 9866 F - 02 9838 9917 E - iwws@iwws.net Web - www.iwws.net

TRAFIMET® PLASMA PARTS

PART NUMBERS	DESCRIPTION	MIN QTY
TRAFIMET® A81 TORCH		
PF140	TORCH HEAD (1)	1
TP110	HANDLE KIT	1
EA125	O'RING (2)	1
PR115	EXTENDED ELECTRODE (3)	10
PR109	ELECTRODE (4)	10
PE107	AIR DIFFUSER	2
PD106-12	LONG TIP (5)	10
PD105-10	TIP 1.0 MM (6)	10
PD105-12	TIP 1.2 MM (7)	10
PC115	NOZZLE (8)	2



TRAFIMET® A90 TORCH		
EA185	MICRO SWITCH PIN (1)	1
EA131	O'RING (2)	1
EA132	O'RING (3)	1
PR101	ELECTRODE (4)	10
PE101	AIR DIFFUSER (5)	2
PD101-11	TIP 1.1 MM (6)	10
PD101-14	TIP 1.4 MM (7)	10
PD101-17	TIP 1.7 MM (8)	10
PC109	NOZZLE (9)	2
PC111	NOZZLE HEAVY DUTY (10)	2
PC113	NOZZLE HEAVY DUTY	2
FH297	NOZZLE INSULATOR (11)	1
CV09	CUTTING GUIDE HEAVY DUTY (12)	1
CV39	CUTTING GUIDE (13)	2
CV23	CUTTING GUIDE (14)	1
CV11	STAND OFF GUIDE (15)	1
CV12	STAND OFF GUIDE (16)	1
CV14	CROWN SHIELD	2
CV21	CUTTING GUIDE (17)	1
CV22	CIRCLE CUTTING GUIDE (18)	1
















INDEPENDENT WHOLESALE WELDING SUPPLY

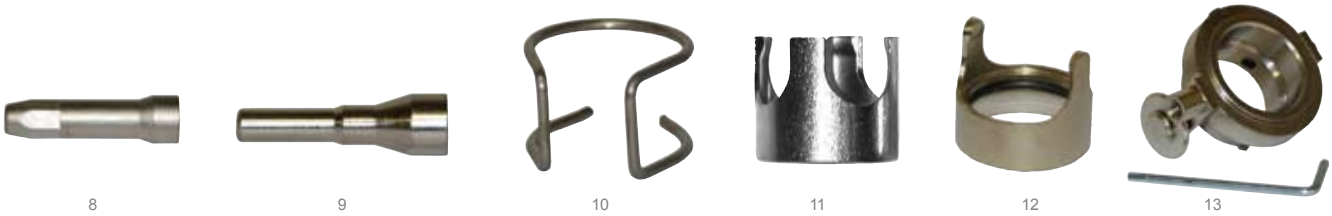
Ph - 02 9838 9866 F - 02 9838 9917 E - iwws@iwws.net Web - www.iwws.net

TRAFIMET® PLASMA PARTS















PART NUMBERS DESCRIPTION MIN QTY

TRAFIMET® S105 TORCH

PF136	TORCH BODY (1)		1
EA223	O'RING (2)		1
PR117	ELECTRODE (3)		10
PE112	SWIRL RING (4)		1
PD119-12	TIP 1.2 MM (5)		10
PD119-14	TIP 1.4 MM (6)		10
PC118	NOZZLE (7)		2
PR120	TIP LONG (8)		10
PR119	ELECTRODE LONG (9)		10
CV11	STAND OFF GUIDE (10)		1
CV33	CROWN SHIELD (11)		1
CV26	GUIDE (12)		2
CV51	CUTTING GUIDE (13)		1



TRAFIMET® A141 TORCH

EA185	MICRO SWITCH PIN (1)		1
EA131	O'RING (2)		1
EA132	O'RING (3)		1
PR101	ELECTRODE (4)		1
PE101	AIR DIFFUSER (5)		1
PD101-11	TIP 1.1 MM (6)		2
PD101-14	TIP 1.4 MM (7)		10
PD101-17	TIP 1.7 MM (8)		10
PD101-19	TIP 1.9 MM (9)		10
PD101-30	GOUGING TIP 3.0 MM (10)		10
PC101	NOZZLE (11)		1
PC102	NOZZLE HEAVY DUTY (12)		1
PC103	NOZZLE HEAVY DUTY		1
FH297	NOZZLE INSULATOR (13)		1



TRAFIMET® PLASMA PARTS

PART NUMBERS	DESCRIPTION	MIN QTY
--------------	-------------	---------

TRAFIMET® A140 TORCH

CV09	CUTTING GUIDE HEAVY DUTY (1)	1
CV39	CUTTING GUIDE (2)	2
CV23	CUTTING GUIDE (3)	1
CV11	STAND OFF GUIDE (4)	1
CV12	STAND OFF GUIDE (5)	1
CV14	CROWN SHIELD (6)	2
CV21	CUTTING GUIDE (7)	1
CV22	CIRCLE CUTTING GUIDE (8)	1
CV13	GOUGING SHIELD (9)	1



5



6



7



1



2



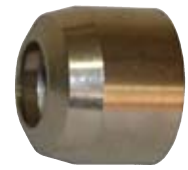
3



4



8



9

TRAFIMET® A141 TORCH

PT220	TORCH BODY KIT	1
PF155	TORCH BODY (1)	1



1

MICELLANEOUS TRAFIMET® PLASMA PRODUCTS

CV67	PLASMA CUTTING CARRIAGE (1)	1
FB1278	PLASMA INSULATOR (2)	1
PD109-14	PLASMA TIP 1.8 MM (3)	1
PD122-12	PLASMA TIP (4)	1
PD88-11	PLASMA TIP 1.1	1
PR111	PLASMA ELECTRODE (5)	1
PR118	PLASMA ELECTRODE (6)	1
PR119	PLASMA ELECTRODE LONG (7)	1
PR16	PLASMA ELECTRODE ZR (8)	1



1



2



3



4



5



6



7



8



INDEPENDENT WHOLESALE WELDING SUPPLY

Ph - 02 9838 9866 F - 02 9838 9917 E - iwws@iwws.net Web - www.iwws.net