

Nederman



Nederman FilterBox
The handy way to extract
fumes and dust right at the source

The easy and flexible way to get the extraction unit you need

The best and most effective way to attack the problem with dust and fumes is right at the spot where it is generated. With Nederman FilterBox you get the most flexible and cost effective solution. The FilterBox consists of a basic filter unit that can be equipped with accessories such as extraction arms, fans, trolley, brackets etc. to suit your specific needs.

An effective cleaning technology provides full effective extraction in mobile as well as fixed installations.

The basic filter unit is available in three versions depending on how the mechanical process is handled.

*Control box IP65 on FilterBox Monitor.
Analog LED indication for pressure drop.*



Basic filter unit equipped with optional trolley, fan, extractor arm and silencer.

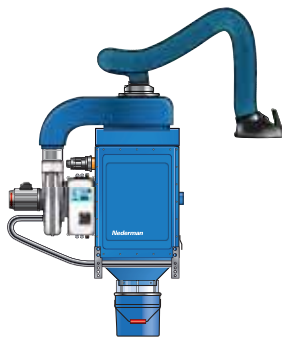
How to build up your filterbox

1. Decide type of installation
2. Choose filter unit
3. Select accessories, mounting brackets or trolley

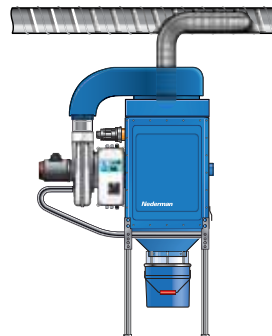
Type of installation



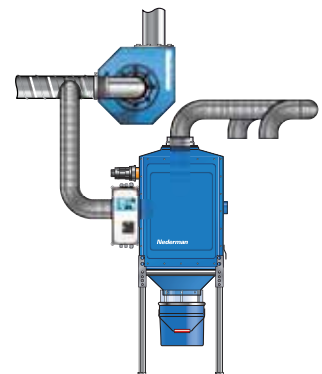
Mobile unit offering full flexibility



Wall mounted with extraction arm and fan



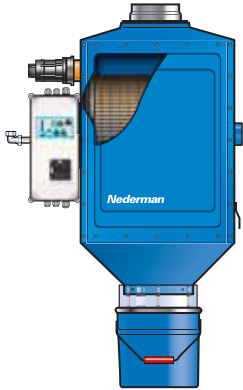
Floor mounted with duct connection and fan



Connected to a central vacuum system

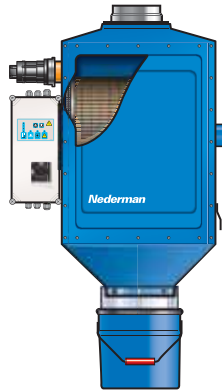
Start with a basic filter unit and adapt with various accessories

FilterBox Monitor



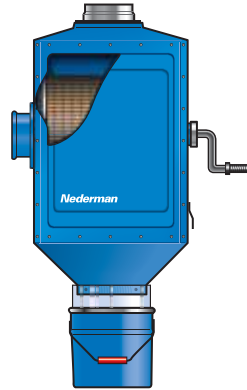
Full automatic mechanical filter cleaning process, handled by a control box at a preset value. Normally combined with compressed air cleaning of the filter cartridge. For heavy welding applications and frequent, uncomplicated use.

FilterBox Standard



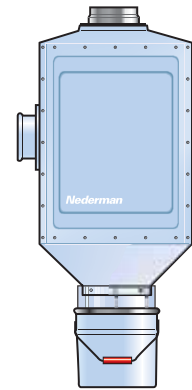
Semi-automatic filter cleaning process manually initiated on the control box. Can be combined with compressed air cleaning. For typical welding and dust applications and temporary use.

FilterBox Basic



Manually filter cleaning by a hand crank. For simple welding and dust applications with no need for automatics.

Space Blue



The FilterBox units are also available in space blue for food and chemical applications.

Accessories

1. Fan N29 for heavy duty and long duct systems, 1000-1200 m³/h	
14510829	2,2 kW, 220 - 240 / 380 - 420V, 3-phase, 50Hz

1. Fan N24 for light dust , 800-1000 m³/h	
14510122	0,75 kW, 110 - 120 / 220 - 240V, 1-phase, 50Hz
14510422	0,9 kW, 200 - 240 / 280 - 420V, 3-phase, 50Hz

2. Extractor arms	
Max length for arm on mobile unit: 3 m (See separate brochure for Original Arm)	

3. Silencer	
12371420	Blue
12371569	Space Blue

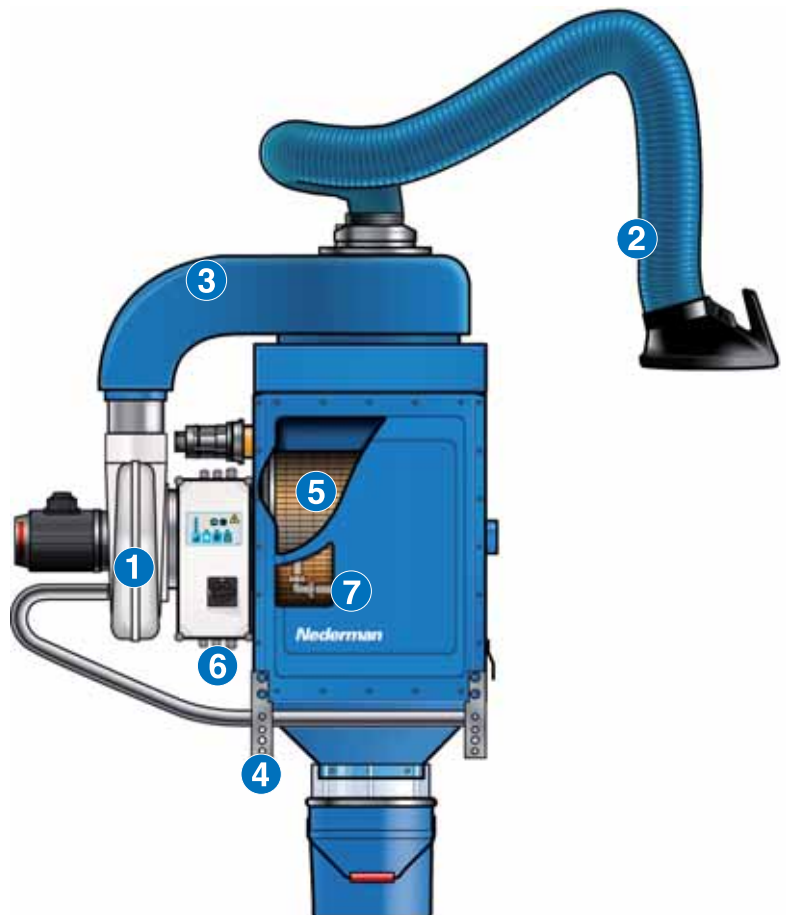
4. Mounting accessories	
12371422	Floor stand for FilterBox with fan
12371423	Floor stand for FilterBox connected to central fan
12371421	Trolley
12371424	Bracket for wall mounting box with fan
12371018	Additional bracket for mounting fan N24 on the FilterBox

5. Filter *				
Filter	Type	Area	Filter efficiency	Application
12332672	PW13	13 m²	99 %	Welding
12371106	PW HE15	15 m²	99,9 %	Dust, stainless steel welding
12371412	PWA HE15	15 m²	99,9 %	Dust (antistatic)

6. Cable set	
12363606	220/240V, 1 phase
12363608	110V, 1 phase
12363609	3 phase

7. Compressed air cleaning	
12333354	4-6 bar

* Filters are normally included in the basic filter unit. See spec. on the next page



Please see separate brochure for complete kits, including trolley, fan, etc

Technical data and product specifications

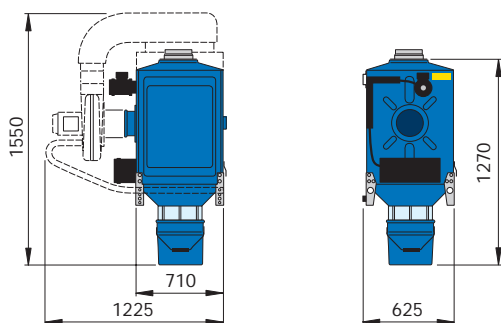
FilterBox Monitor		Automatic filter cleaning process		
Control box with:				
<ul style="list-style-type: none"> • Automatic filter cleaning • Lockable main switch • Analog LED indication for pressure drop • Indication for clogged filter and disturbances 				
COLOR: BLUE for industrial applications				
Part No	Filter cartridge	Filter cleaning: Motor	Filter cleaning: Compr air	Voltage/phase, Motor protector included
12640463	No filter	•	•	400V, 3 phase
12642463	PW13	•	•	400V, 3 phase

FilterBox Standard		Semi-automatic cleaning process		
Control box with:				
<ul style="list-style-type: none"> • On/Off button for filter cleaning • Lockable main switch • LED indication for clogged filter 				
COLOR: BLUE for industrial applications				
Part No	Filter cartridge	Filter cleaning: Motor	Filter cleaning: Compr air	Voltage/phase, Motor protector included
12630463	No filter	•		400V, 3 phase
12631063	PW13	•		110V, 1 phase
12631163	PW13	•		230V, 1 phase
12631363	PW13	•		230V, 3 phase
12631463	PW13	•		400V, 3 phase
12632163	PW13	•	•	230V, 1 phase
12632463	PW13	•	•	400V, 3 phase
12635463	PWHE15	•	•	400V, 3 phase

FilterBox Standard		Semi-automatic cleaning process		
COLOR: SPACE BLUE for food and chemical applications				
Part No	Filter cartridge	Filter cleaning: Motor	Filter cleaning: Compr air	Voltage/phase, Motor protector included
12633163	PW13	•		230V, 1 phase
12633363	PW13	•		230V, 3 phase
12633463	PW13	•		400V, 3 phase
12637463	PWA HE15 (antistatic)	•		400V, 3 phase

FilterBox Basic		Manual filter cleaning		
COLOR: BLUE for industrial applications				
Part no	Filter Cartridge			
12600163	PW13			
12606263	PW13 (space blue)			

Please see separate brochure for complete kits, including trolley, fan, etc.



Noise level for FilterBox with silencer the levels are:
 61 dB (A) with 3 m (10 ft.) extraction arm and fan N24
 68 dB (A) with 3 m (10 ft.) extraction arm and fan N29

Noise level for FilterBox without silencer the levels are:
 72 dB (A) with 3 m (10 ft.) extraction arm and fan N24
 75 dB (A) with 3 m (10 ft.) extraction arm and fan N29

Weight: approx. 65 kg, 143 lbs. excl. fume extractor, fan and silencer.
 Measured according to EN ISO 11201.

Nederman

www.nederman.com

Nederman is represented in:

Australia, Austria, Bahrain, Belgium, Brazil, Bulgaria, Canada, China, the Czech Republic, Cyprus, Denmark, Egypt, Estonia, Finland, France, Germany, Greece, Hong Kong, Hungary, Iceland, India, Iran, Ireland, Italy, Japan, Korea, Latvia, Lithuania, Malaysia, the Netherlands, Norway, Philippines, Poland, Portugal, Romania, Russia, Saudi Arabia, Serbia & Montenegro, Singapore, Slovenia, South Africa, Spain, Sweden, Switzerland, Taiwan R.O.C., Thailand, Turkey, United Arab Emirates, United Kingdom, USA.