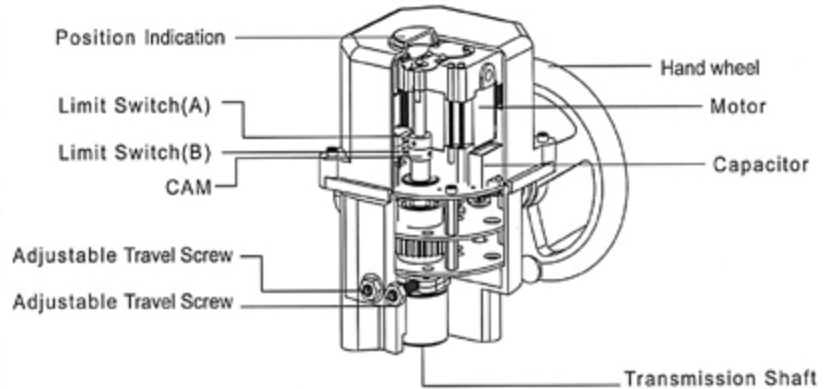


**UM-6 Direct Mount Series**



**Actuator only**  
**Weight: 10 kgs**



Specification	Speed (sec.)			Output Torque kgf/cm				
	110VAC	220VAC	24VDC	AC	DC	110VAC	220VAC	24VDC
60W	1.2A	0.7A	-	30	-	5689	6081	-
65W	-	-	0.8A	-	30	-	-	6000

The Size of Valve		
Flanged Ends	Butterfly Valve	3-Way Valve
5" ~ 6"	10" ~ 12"	4" ~ 5"

**Dimension**

mm

Series	A	B	C	D	E	F	G	H	I	J	K	L	M	N	O	P	Q	R	S	T	ISO5211
UM-6	310	276	34	274	203	36.52	125	27	M12	4	45°	165	180	42	87	173	92	102	M10	4	F10 / F12

• Action interval: 5 minutes per travel.

