



VALBBI3IN - 3" Inline Diaphragm Shutoff Valve

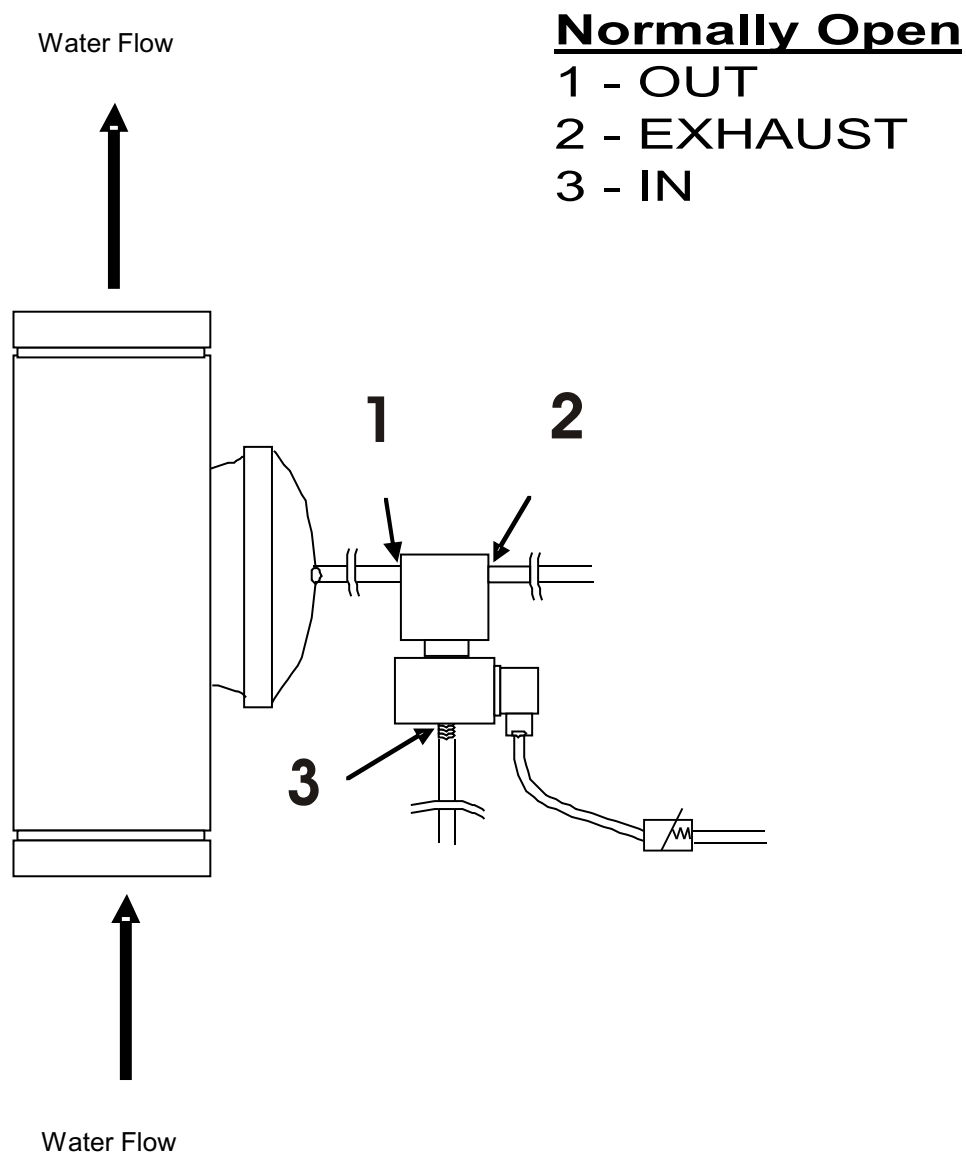
The VALBBI3IN shutoff valve is cast from Marine grade aluminium providing flow shutoff for remotely located spray nozzles. The valve has two variations - actuation by air or electric solenoid.

Other features of the VALBBI3IN include:

- 3" grooved ends (victaulic type).
- Flow port diameter 2".
- Heavy duty diaphragm.
- Fully serviceable.
- Approximate weight, air actuated 1.5 kg, electric actuated 2.0 kg.

Water Wise Water Trucks Australia Pty Ltd
P.O. Box 231
Ascot Vale, VIC 3032, Australia
Telephone: +61 (0) 3 9317 5560
Fax: +61 (0) 3 9317 5562
Email: info@www.watertrucks.com
Website: www.watertrucks.com
ABN: 85 582 400 316

In Line Shutoff Valve - Electric Actuated



Note: SKETCH NOT TO SCALE