



SPECIFICATION

Designed and Manufactured	API 6D, ASME B16.34
Face to Face Dimension	API 6D, ASME B16.10
Flanged End Dimension	ASME B16.5
BW End Dimension	ASME B16.25
Pressure Rating	Class 150 and 300
Test and Inspection	API 598, API 6D
Pressure - Temperature Rating	ASME B16.34
Actuation	Lever operated
Optional	Gear Box, Pneumatic or Electric Actuated
Standard Feature	Anti-Static and Fire Safe Design
Working Temperature	Up to 200°C (depend on seat's material)

BALL VALVE API 6D (FIRE SAFE & ANTI-STATIC) CARBON STEEL / STAINLESS STEEL

MATERIALS

PARTS	FIG. 22F	FIG. 226F	FIG. 227F
1. Body	A216-WCB	A351-CF8	A351-CF8M
2. Body Seal	SS304 + Graphite	SS304 + Graphite	SS316 + Graphite
3. Body Cap	A216-WCB	A351-CF8	A351-CF8M
4. Seat	R-PTFE	R-PTFE	R-PTFE
5. Ball	A351-CF8	A351-CF8	A351-CF8M
6. Body Nut	A194-2H	A194-8	A194-8M
7. Body Stud	A193-B7	A193-B8	A193-B8M
8. Stem	A351-CF8	A351-CF8	A351-CF8M
9. Stem Packing	Graphite	Graphite	Graphite
10. Lever / Gear	A216-WCB	A216-WCB	A216-WCB

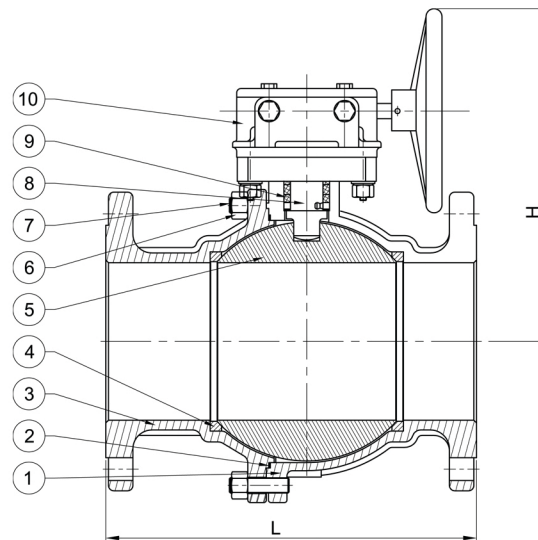


FIG 22F

DIMENSIONS (mm)

Size (inch)		1/2	3/4	1	1 ½	2	2 ½	3	4	6	8	10	12	14	16
Class 150	L	108	117	127	165	178	190	203	229	394	457	533	610	686	762
	H	79	96	96	118	147	171	153	204	342	456	511	517	569	680
	Weight (Kg)	2.3	3	4.5	6.5	9.5	15	19	33	68	93	200	346	560	766
Class 300	L	140	152	165	191	216	241	283	305	403	502	568	648	762	838
	H	79	96	96	118	147	171	153	204	342	456	511	517	569	680
	Weight (Kg)	2.6	3.5	5.5	8	15	26	35	56	81	118	305	488	570	910

*The specifications are subject to change without further notice

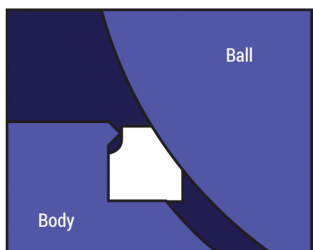
*Note : Valve size above 16 inch upon request



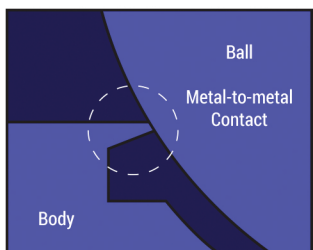
FEATURES AND BENEFITS

Fire-Safe API 607

The *Valmatic*® Ball Valve is featured with metal to metal seal in case the non-metallic seal is destroyed by fire or other means. It provides assurance to the user handling flammable or hazardous fluids that should the non-metallic seal be destroyed, the upstream pressure pull the ball into contact with the metal seat lip beneath the soft seat to shut off the line fluid to minimize the internal leakage.



(Before Fire)



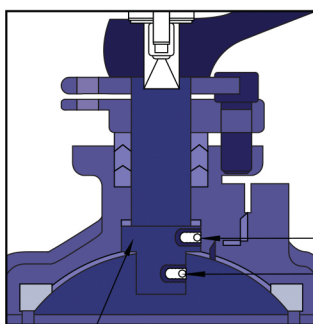
(After Fire)

Anti-Static Design

The *Valmatic*® Ball Valve is constructed with Anti-Static design which Ball-spring device eliminates static electrical build-up between stem, ball and body. When static are generated and concentrated on the ball, the spring-loaded pins installed on ball, stem are provided to ensure electrical continuity throughout the valve.

Blowout-proof Stem

The internally assembled and back-seated stem provides blowout proof safety. Stem lower end is integral T shaped designed to be blowout proof. It is internally inserted and functions as the backseat for assured stem sealing at all pressures.



BlowOut-proof Stem

BALL VALVE API 6D (FIRE SAFE & ANTI-STATIC) CARBON STEEL / STAINLESS STEEL

SEAT PERFORMANCE DATA

(TFE)

General application seat material, exhibiting lowest operating torque and excellent resistance to chemical attack.

(RTFE)

Most commonly specified seat material, and used as the basis for published torque valves. Maintain the excellent chemical resistance of unfilled Teflon (TFE) with increase resistance to wear and abrasion resulting in long life.

(Carbon Graphite)

Design for high temperature application. Maximum service temperature is limited to 750 degree F in oxidizing applications. This seat like all hard seat material does not necessarily provide "bubble tight" shut off. Most test standard have allowable leakage rates or list "classes" of shut-off for this type of seat. Be aware of system design requirement when specifying this or any hard seat.

